



US0D1109572S

(12) **United States Design Patent**
Hines

(10) **Patent No.:** **US D1,109,572 S**

(45) **Date of Patent:** **** Jan. 20, 2026**

(54) **KITCHEN UTENSIL FOR FOOD RETORT POUCHES**

(71) Applicant: **Brian Hines**, West Roxbury, MA (US)

(72) Inventor: **Brian Hines**, West Roxbury, MA (US)

(**) Term: **15 Years**

(21) Appl. No.: **29/884,899**

(22) Filed: **Feb. 16, 2023**

(51) **LOC (15) Cl.** **07-03**

(52) **U.S. Cl.**
USPC **D7/642**

(58) **Field of Classification Search**

USPC D7/300, 368, 387, 391, 392, 392.1, 41.2,
D7/500, 509, 510, 511, 601, 412, 452,
D7/600.1, 602, 61, 630, 642, 643, 644,
D7/645, 649, 669, 693; D9/434-436,
D9/440, 455, 716, 737-739; D8/14, 499;
D15/7, 199; D22/118, 117
CPC A01B 1/20; A47J 41/0005; A47J 9/002;
A47J 9/003; A47J 17/00; A47J 19/00;
A47J 43/00; A47J 43/25; A47J 43/28;
A47J 45/00; A47J 47/16; A47G 19/2205;
A47G

(Continued)

(56) **References Cited**

U.S. PATENT DOCUMENTS

D47,917 S * 10/1915 Goodridge D8/499
4,570,339 A * 2/1986 Taylor A47G 21/00
30/2

(Continued)

FOREIGN PATENT DOCUMENTS

CA 53452 * 10/1984
JP D1183324 * 9/2003

(Continued)

OTHER PUBLICATIONS

BezoX Minimalist Toothpaste Tube Squeezers, posted Jul. 29, 2020 [online], [retrieved Mar. 1, 2025]. Retrieved from internet, https://www.amazon.com/dp/B08DV384J4/ref=sspa_dk_detail_4?pf_rd_p=7446a9d1-25fe-4460-b135-a60336bad2c9&pf_rd_r=N7F687ARHM5J9T2%E2%80%A6 (Year: 2020).*

(Continued)

Primary Examiner — Amber R Stiles

Assistant Examiner — Kellianne M Shaver

(74) *Attorney, Agent, or Firm* — Barry Choobin; Patent 360

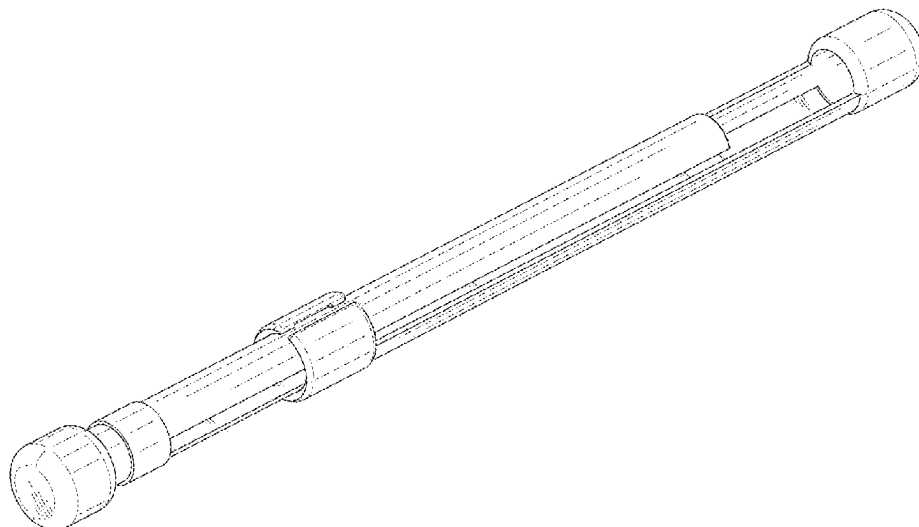
(57) **CLAIM**

The ornamental design for a kitchen utensil for food retort pouches, as shown and described.

DESCRIPTION

FIG. 1 is a perspective view of an outer member of a kitchen utensil for food retort pouches, showing my new design; FIG. 2 is a front view thereof; FIG. 3 is a rear view thereof; FIG. 4 is a right side view thereof; FIG. 5 is a left side view thereof; FIG. 6 is a top view thereof; FIG. 7 is a bottom view thereof; FIG. 8 is a cross-sectional view taken along the line 8-8 of FIG. 6; FIG. 9 is a perspective view of an inner member of the kitchen utensil for food retort pouches; FIG. 10 is a front view thereof; FIG. 11 is a rear view thereof; FIG. 12 is a right side view thereof; FIG. 13 is a left side view thereof; FIG. 14 is a top view thereof; FIG. 15 is a bottom view thereof; and, FIG. 16 is a perspective view of the kitchen utensil for food retort pouches, in which the inner member and the outer member are shown assembled.

1 Claim, 10 Drawing Sheets



(58) **Field of Classification Search**

CPC 19/2222; A47G 19/2288; A47G 21/02;
A47G 21/023; A47G 21/06; B65D
2543/00046; B65B 3/04; B25G 1/00

See application file for complete search history.

D986,014 S * 5/2023 Ludeman D7/693
D1,019,286 S * 3/2024 Zhang D7/602
D1,054,264 S * 12/2024 Hsieh D8/24

FOREIGN PATENT DOCUMENTS

JP D1578842 * 6/2017
JP D1785988 * 12/2024

(56) **References Cited**

U.S. PATENT DOCUMENTS

D309,400 S * 7/1990 Barnard D7/412
5,529,357 A * 6/1996 Hoffman B25G 3/24
16/427
D377,699 S * 1/1997 McLaughlin D32/46
5,927,161 A * 7/1999 Clifford B25B 23/0021
81/177.85
D424,874 S * 5/2000 Anton D7/412
D479,957 S * 9/2003 Anthony D7/669
D745,108 S * 12/2015 Guinn D22/118
D769,684 S * 10/2016 Alho D8/14
D801,699 S * 11/2017 Knittig D7/669
D909,157 S * 2/2021 Dirnbeck D8/14
D962,733 S * 9/2022 Van Essen D8/86

OTHER PUBLICATIONS

LoveInUSA Toothpaste Tube Squeezer, posted Apr. 7, 2017 [online], [retrieved Mar. 1, 2025]. Retrieved from internet, https://www.amazon.com/LoveInUSA-Toothpaste-Squeezer-Dispenser-Random/dp/B06Y4J85W5/ref=pd_ci_mcx_pspc_dp_2_t_2?pd_rd_w=fDCjs&c%E2%80%A6 (Year: 2017).*
Toothpaste Squeezer (1-Pack) Tube Roller Winder, posted Dec. 5, 2018 [online], [retrieved Mar. 1, 2025]. Retrieved from internet, <https://www.amazon.com/Toothpaste-Squeezer-Winder-Smart-House-Inc-Economical/dp/B07GVYCMKW?th=1> (Year: 2018).*
Gripstic—5_ Blue Bag Sealer, posted Apr. 19, 2022 [online], [retrieved Mar. 1, 2025]. Retrieved from internet, <https://conwaykitchen.com/products/gripstic-5-blue-bag-sealer> (Year: 2022).*

* cited by examiner

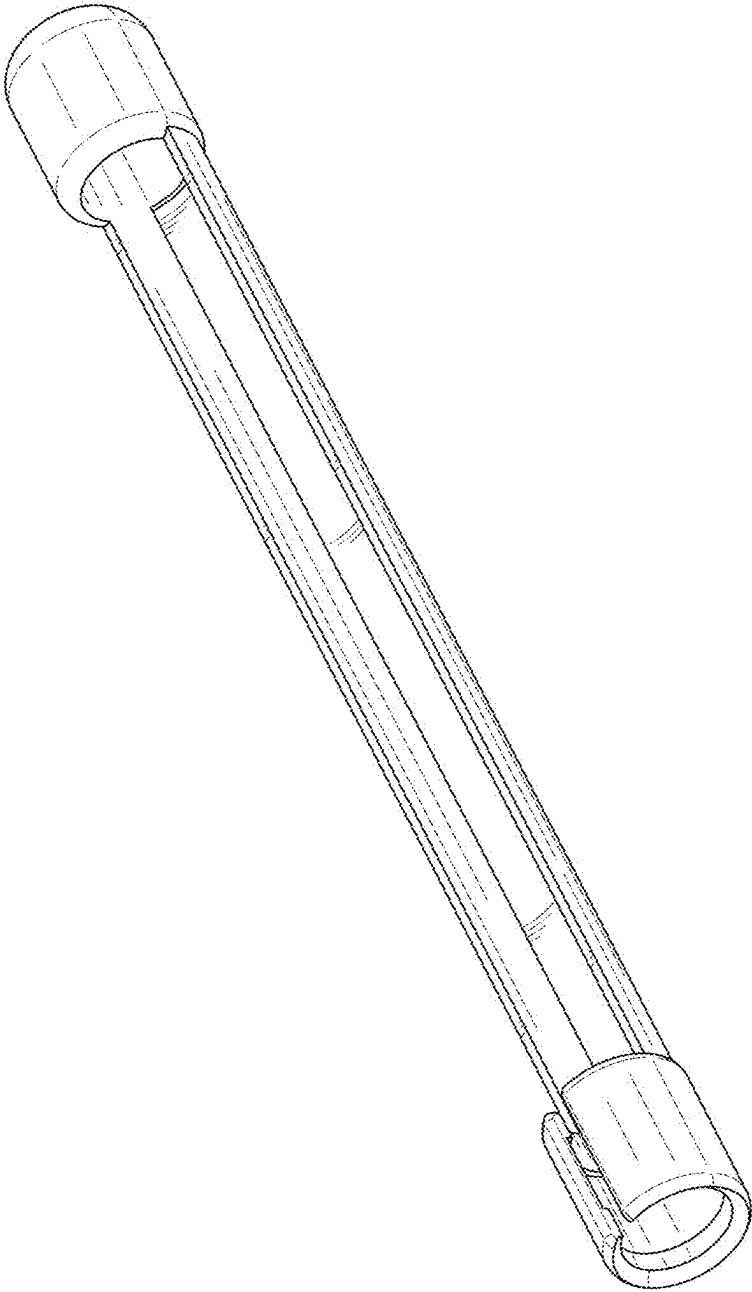


FIG. 1

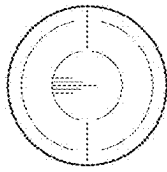


FIG. 3

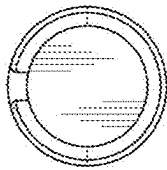


FIG. 2

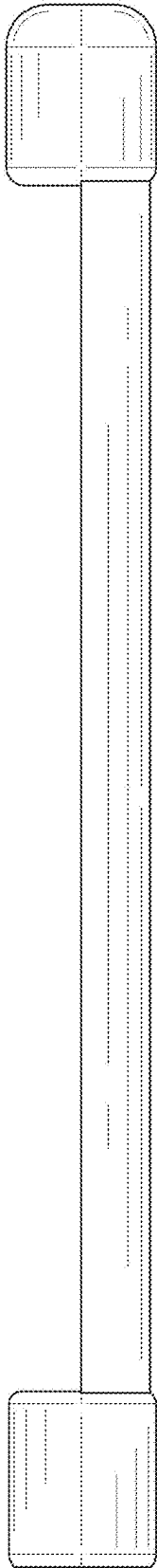


FIG. 4

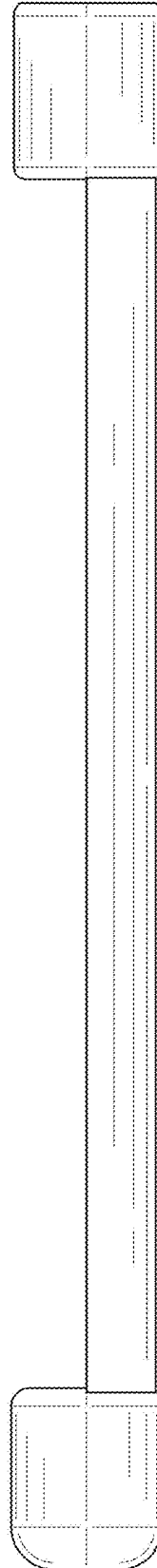


FIG. 5

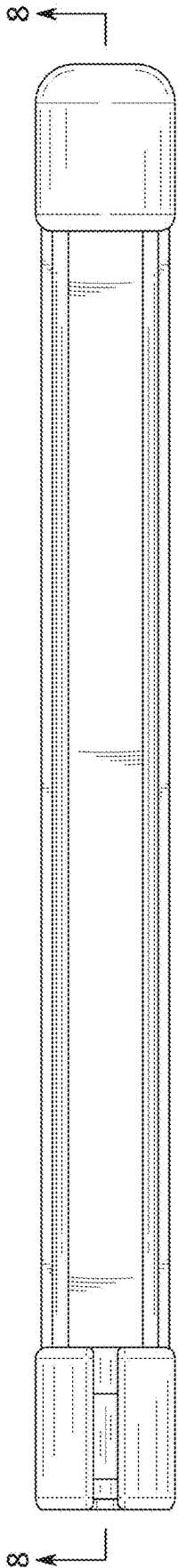


FIG. 6

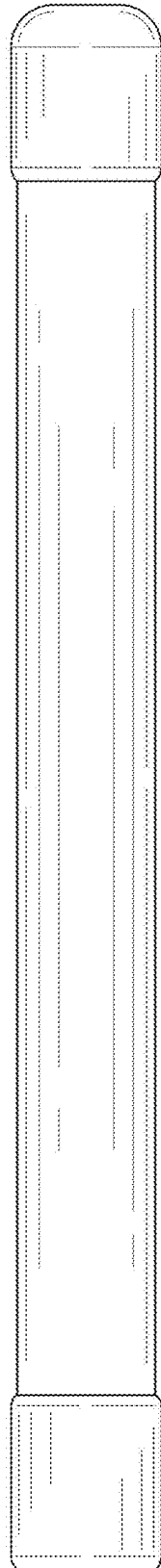


FIG. 7

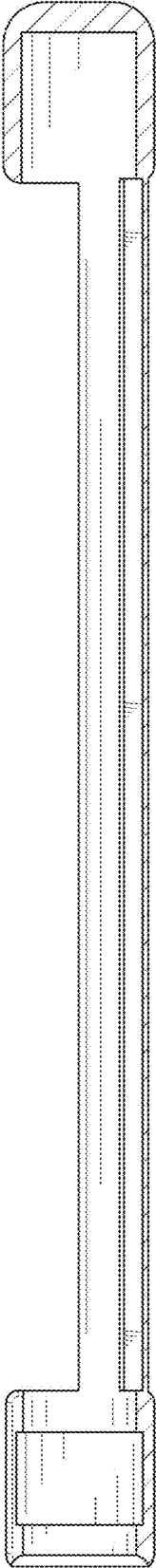


FIG. 8

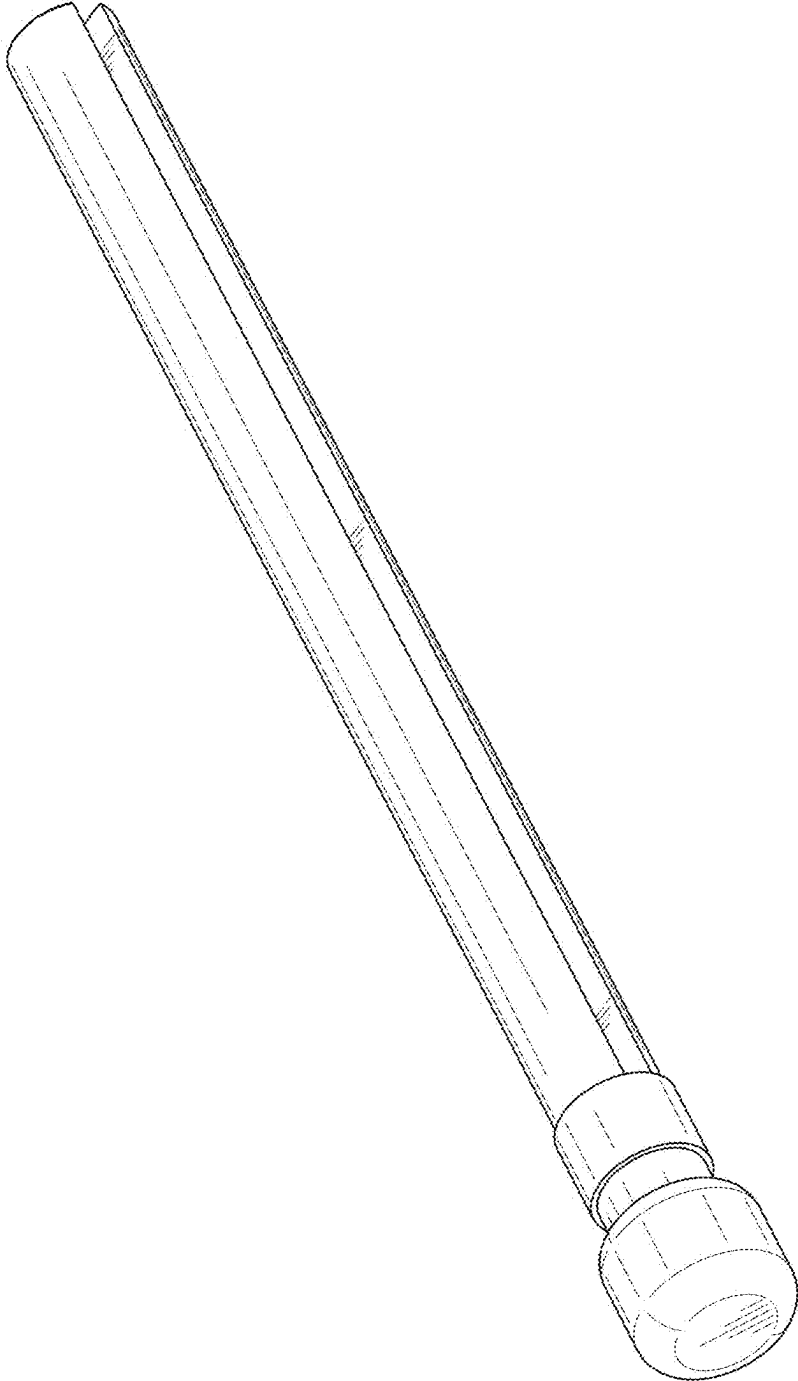


FIG. 9

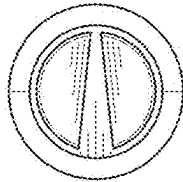


FIG. 11

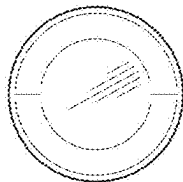


FIG. 10

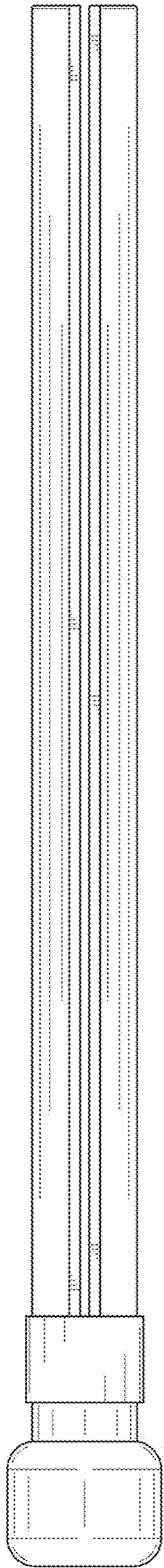


FIG. 12

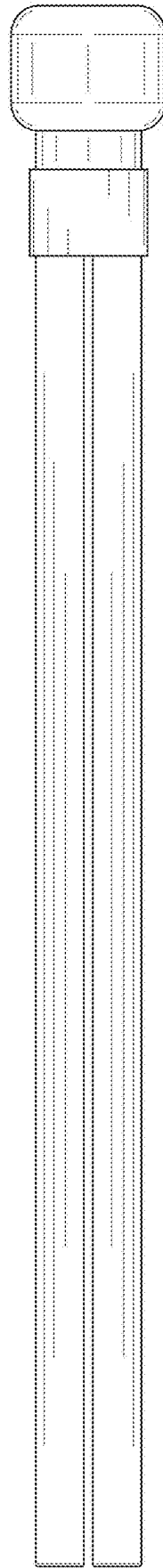


FIG. 13

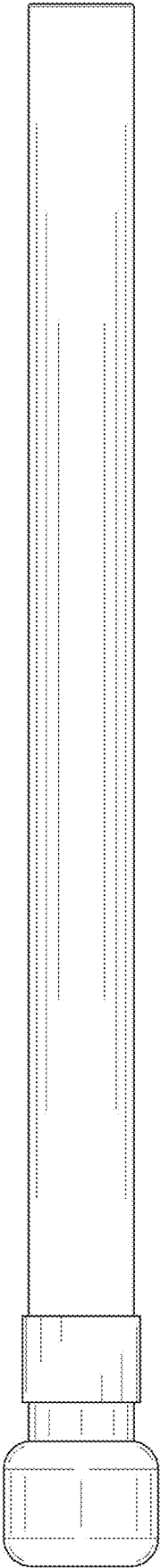


FIG. 14

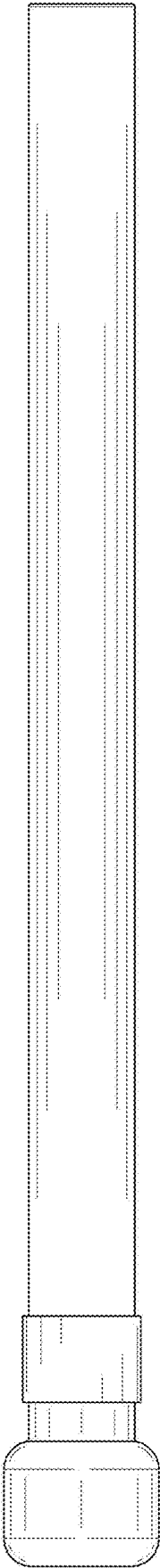


FIG. 15

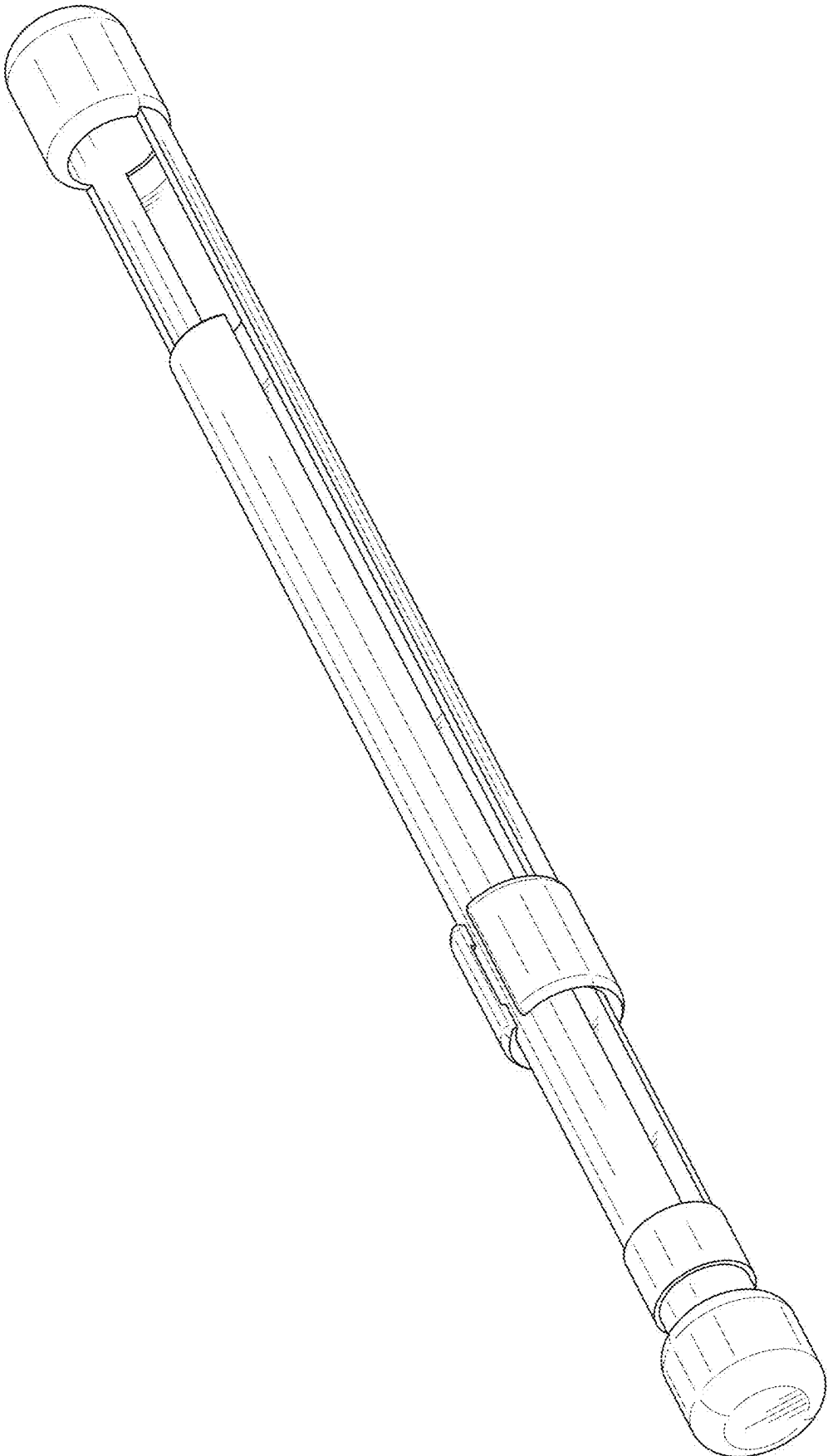


FIG. 16