



US0D1112738S

(12) **United States Design Patent**  
**Kadkhodazadeh et al.**

(10) **Patent No.:** **US D1,112,738 S**

(45) **Date of Patent:** **\*\* Feb. 10, 2026**

(54) **TISSUE AND MEMBRANE PUNCHER FOR PERIODONTAL PLASTIC SURGERY AND REGENERATIVE PROCEDURES**

D1,045,080 S \* 10/2024 Fulton ..... D24/146  
D1,049,378 S \* 10/2024 Oechslein ..... D24/147  
D1,065,547 S \* 3/2025 Burek ..... D24/170

(Continued)

(71) Applicants: **Mahdi Kadkhodazadeh**, Kennan (IR);  
**Omid Amirinasab**, Kennan (IR)

*Primary Examiner* — Samantha Q Lawrence

(74) *Attorney, Agent, or Firm* — Barry Choobin; Patent  
360

(72) Inventors: **Mahdi Kadkhodazadeh**, Kennan (IR);  
**Omid Amirinasab**, Kennan (IR)

(57) **CLAIM**

The ornamental design for a tissue and membrane puncher for periodontal plastic surgery and regenerative procedures substantially as shown and described.

(\*\*) Term: **15 Years**

(21) Appl. No.: **29/850,636**

(22) Filed: **Aug. 22, 2022**

**DESCRIPTION**

(51) **LOC (15) Cl.** ..... **24-02**

(52) **U.S. Cl.**  
USPC ..... **D24/146**

(58) **Field of Classification Search**

USPC ..... D24/111, 112, 113, 114, 115, 119, 127,  
D24/130, 133, 137, 138, 141, 146, 147,  
D24/177, 186, 214, 216, 222, 224;  
D9/418, 434, 435, 447, 448, 449, 452,  
D9/453, 454, 721; D23/233–250, 207,  
D23/209, 365; D28/7  
CPC ..... A61M 35/003; A61M 31/00; A61M 1/00;  
A61M 5/178; A61B 17/244; A61B 17/24;  
A61B 2217/005; A61B 17/322; A61B  
2017/00526; A61B 2090/033; A61B  
2017/00398; A61B 2090/062; A61B  
90/06; A61B 2017/00544; B23B 2220/12;  
B23P 15/28; B23P 15/406

See application file for complete search history.

(56) **References Cited**

**U.S. PATENT DOCUMENTS**

D907,205 S \* 1/2021 Esarey ..... D24/146  
D923,789 S \* 6/2021 Imori ..... D24/146  
D992,733 S \* 7/2023 Parker ..... D24/147  
D1,024,327 S \* 4/2024 Shi ..... D24/146  
D1,031,039 S \* 6/2024 Fan ..... D24/147

FIG. 1 is a top, left-side perspective view of the complete tissue and membrane puncher for periodontal plastic surgery and regenerative procedures.

FIG. 2 is a bottom, right-side perspective view of the complete tissue and membrane puncher for periodontal plastic surgery and regenerative procedures.

FIG. 3 is a top-side view thereof;

FIG. 4 is a bottom-side view thereof;

FIG. 5 is a right-side view thereof;

FIG. 6 is a left-side view thereof;

FIG. 7 is a front-side view thereof;

FIG. 8 is a rear-side view thereof;

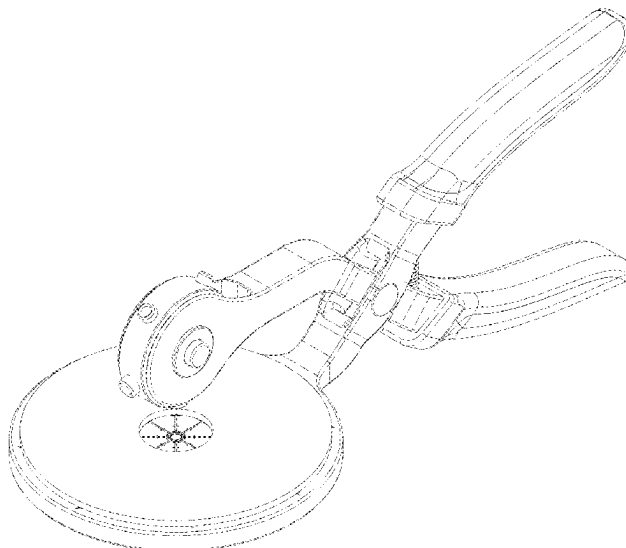
FIG. 9 is a top, left-side perspective view of the 1st member of tissue and membrane puncher for periodontal plastic surgery and regenerative procedures.

FIG. 10 a bottom, right-side perspective view of the 1st member of tissue and membrane puncher for periodontal plastic surgery and regenerative procedures.

FIG. 11 is a top, left-side perspective view of the 2nd member of tissue and membrane puncher for periodontal plastic surgery and regenerative procedures; and,

FIG. 12 a bottom, right-side perspective view of the 2nd member of tissue and membrane puncher for periodontal plastic surgery and regenerative procedures.

**1 Claim, 9 Drawing Sheets**



(56)

**References Cited**

U.S. PATENT DOCUMENTS

2014/0074118	A1*	3/2014	Esarey .....	B26B 25/002
				606/132
2018/0345514	A1*	12/2018	Whited .....	A22C 17/12
2020/0367516	A1*	11/2020	Miller .....	A22B 5/0029
2021/0101300	A1*	4/2021	Esarey .....	B26B 25/002
2022/0022471	A1*	1/2022	Esarey .....	A22B 5/166

\* cited by examiner

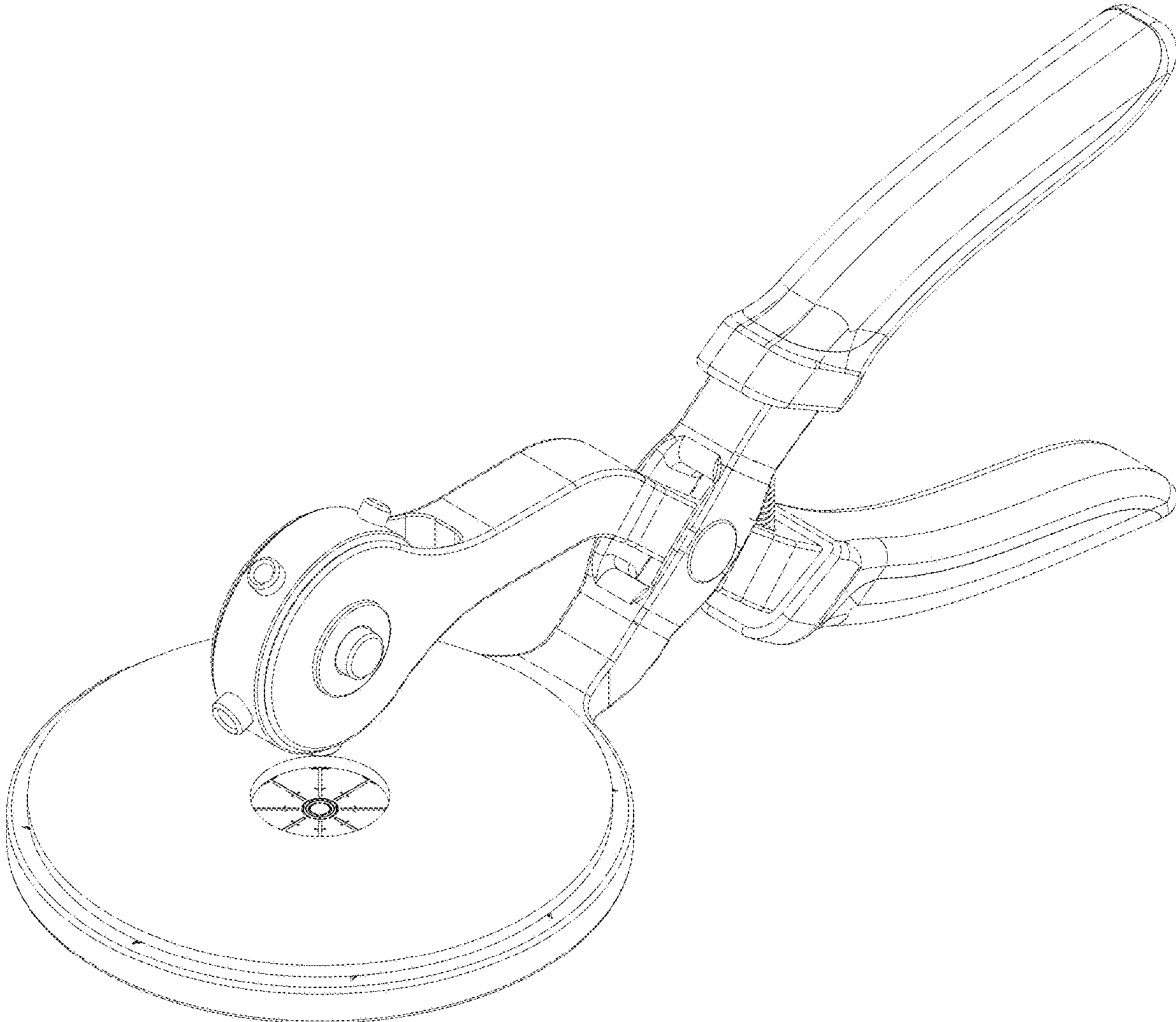


FIG.1

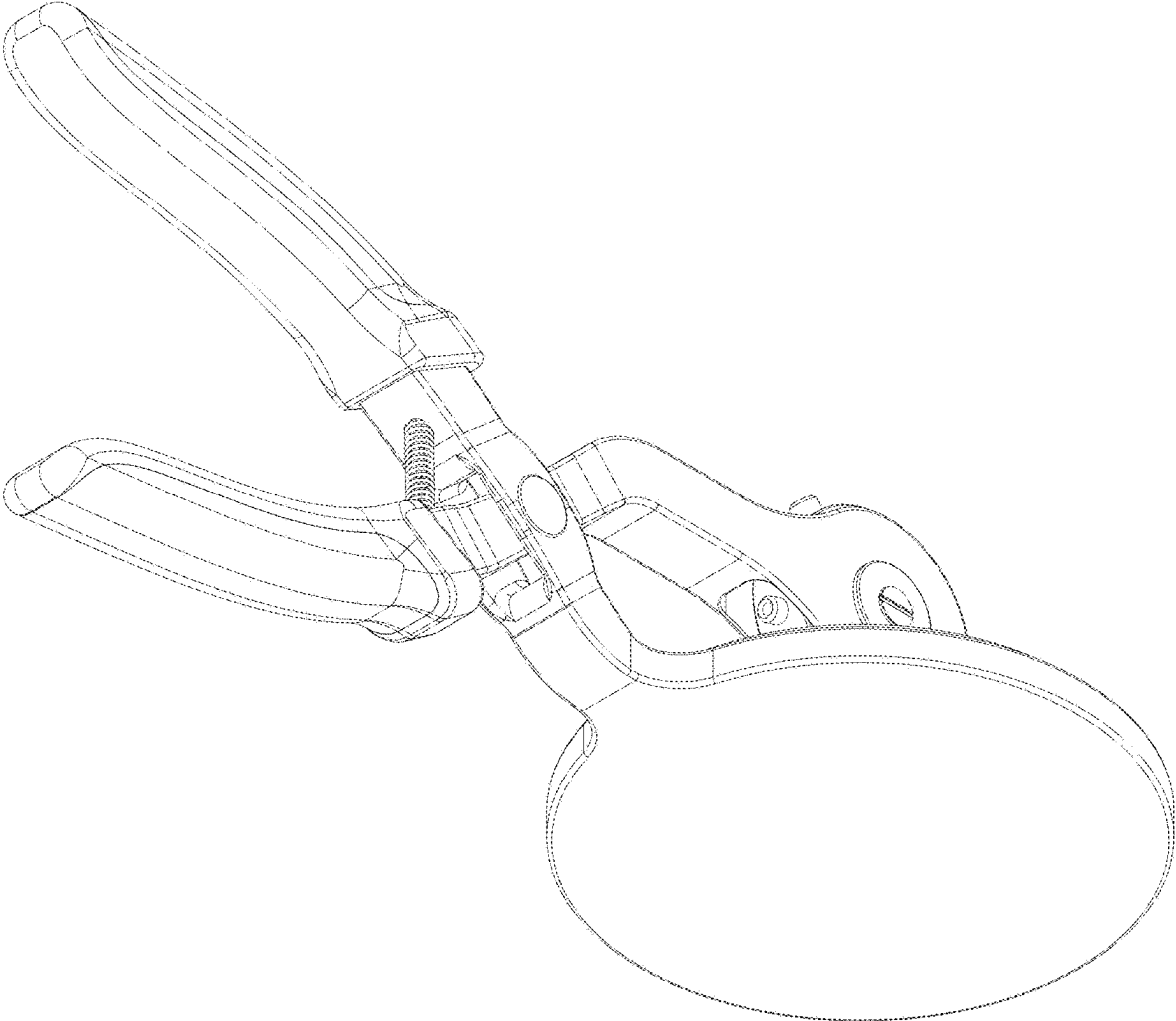


FIG.2

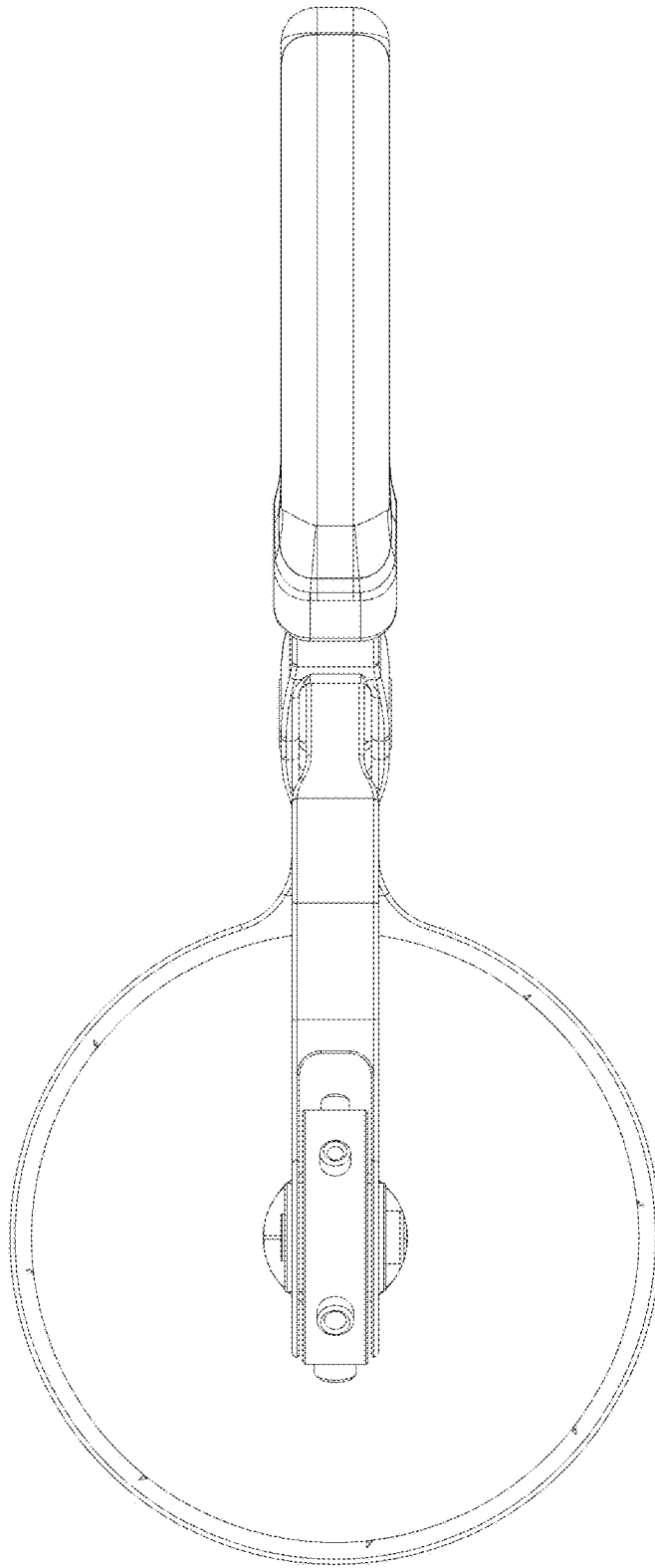


FIG.3

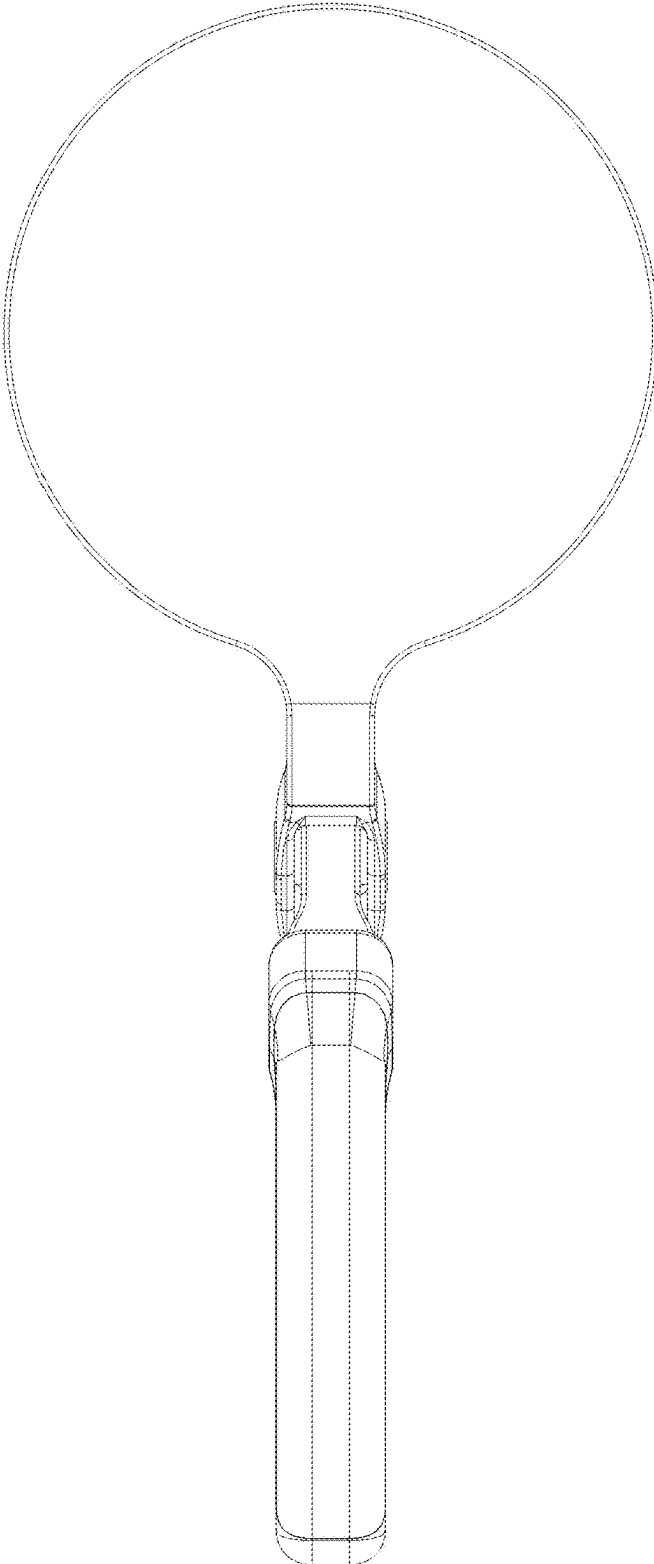


FIG.4

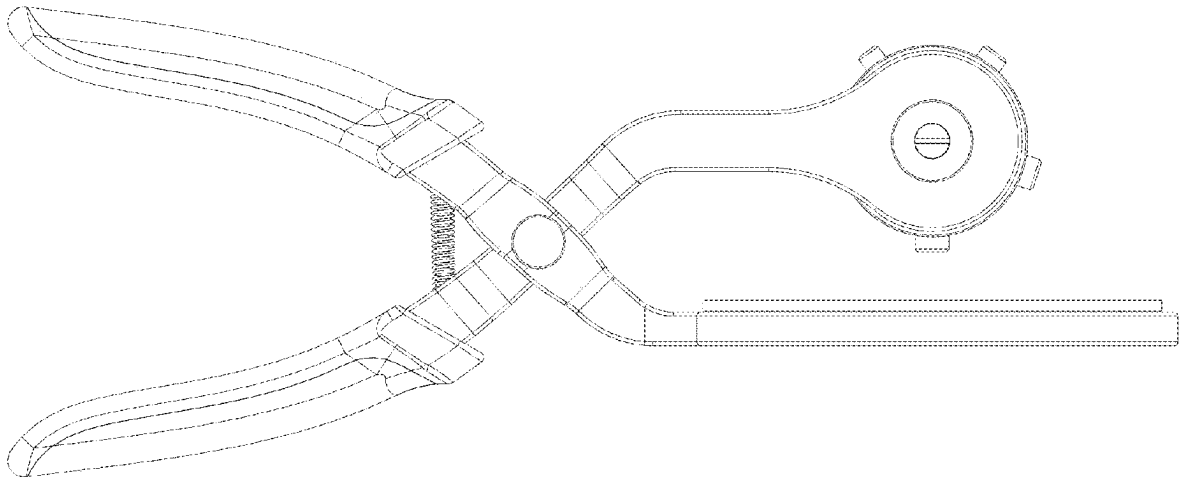


FIG.5

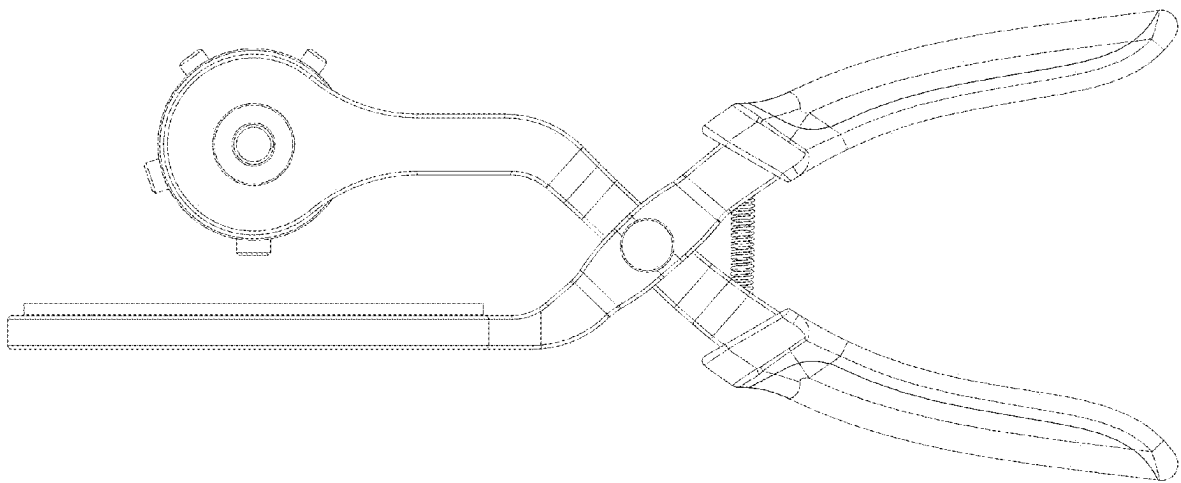


FIG.6

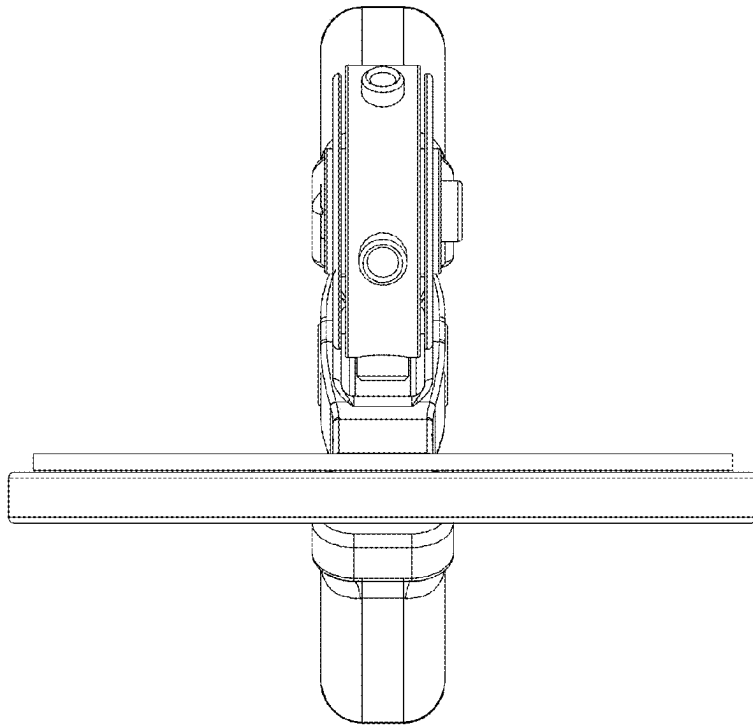


FIG. 7

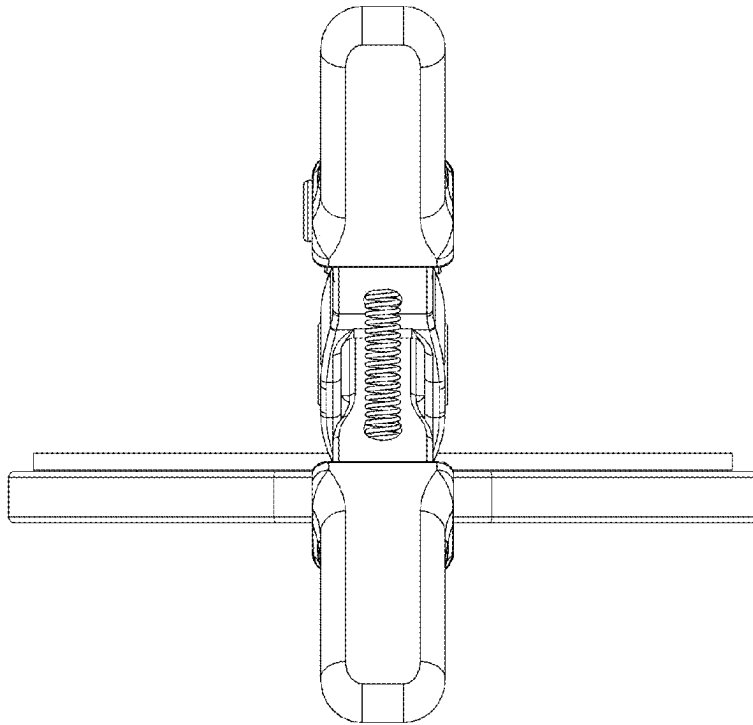


FIG. 8

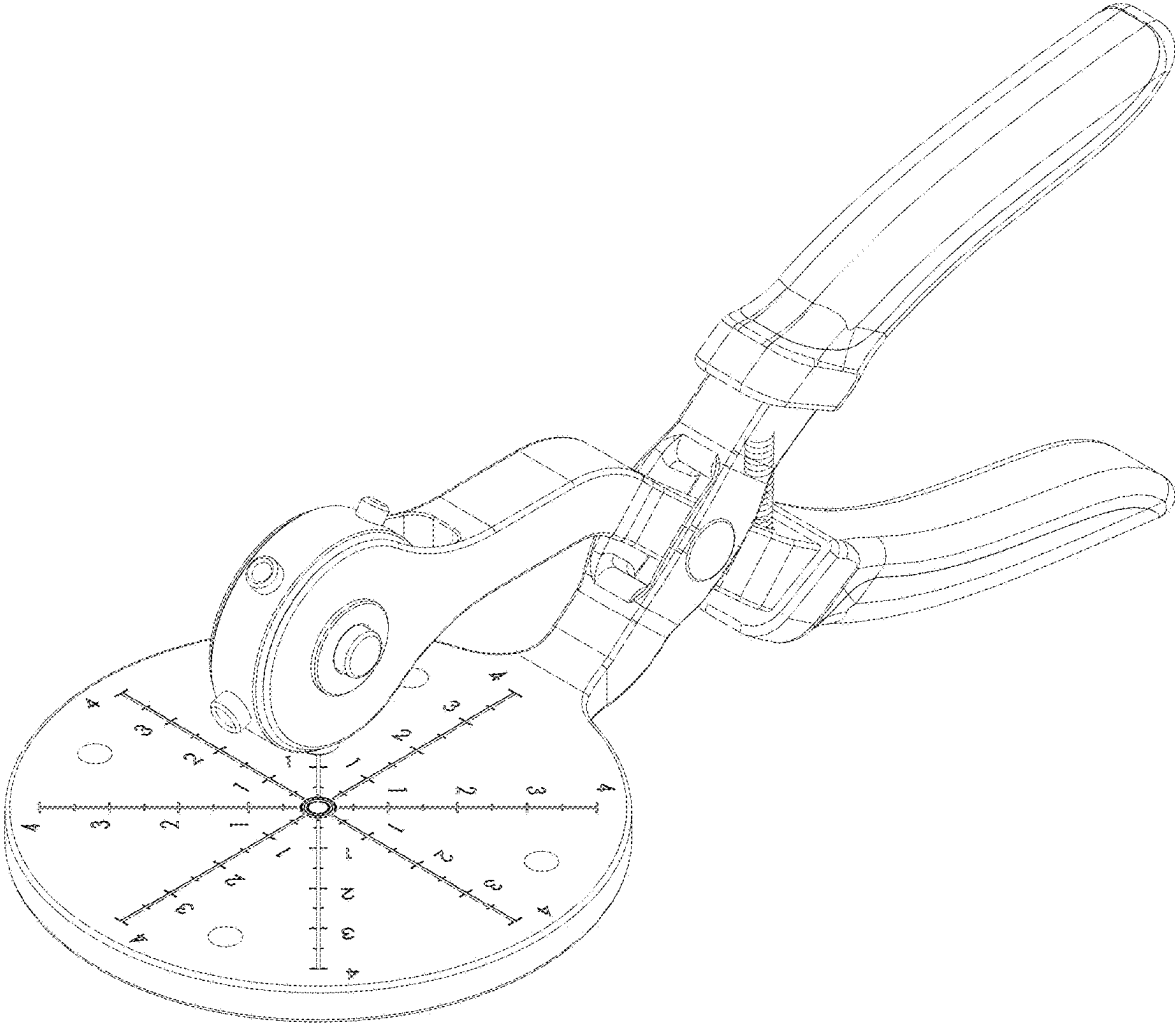


FIG.9

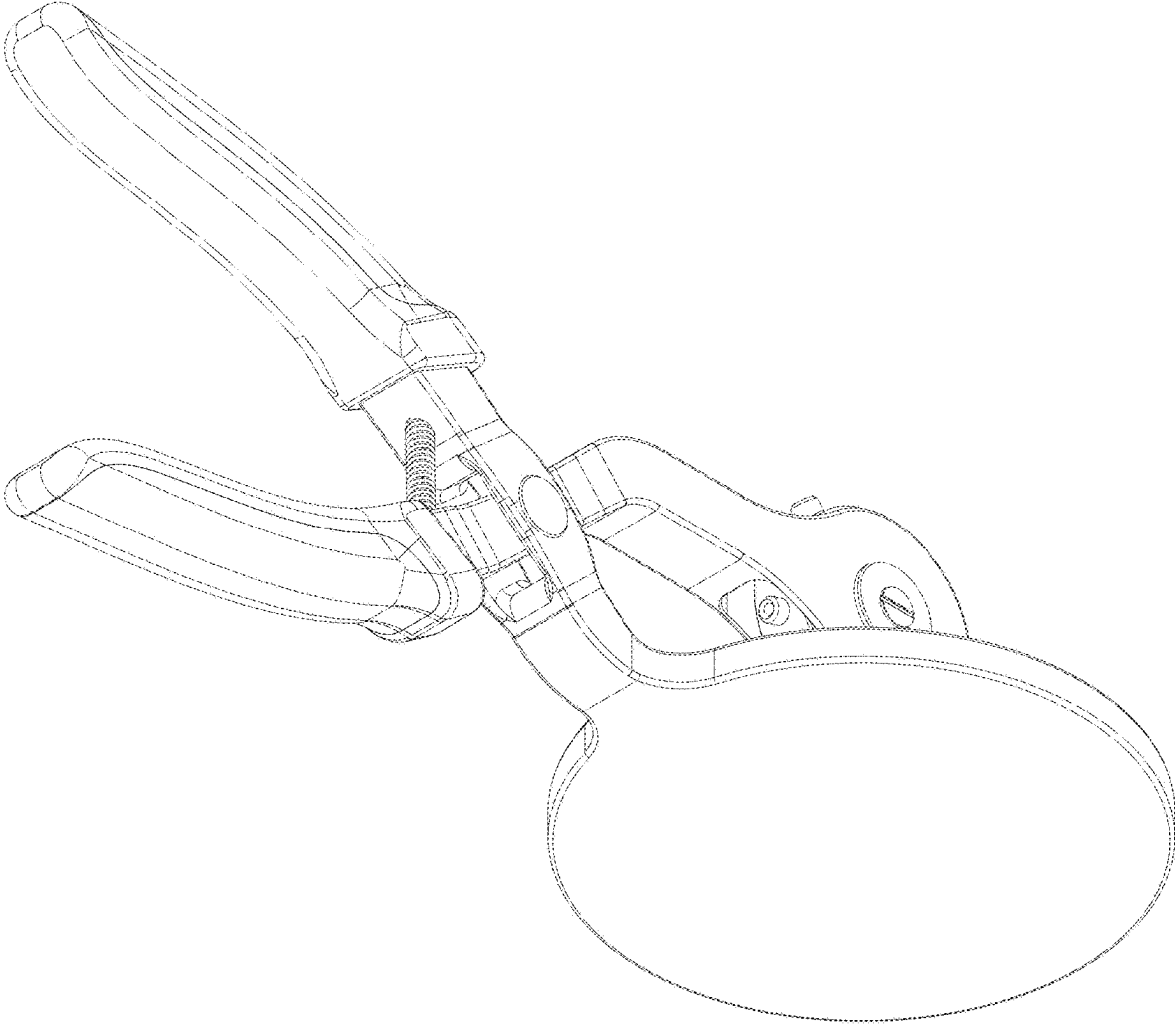


FIG.10

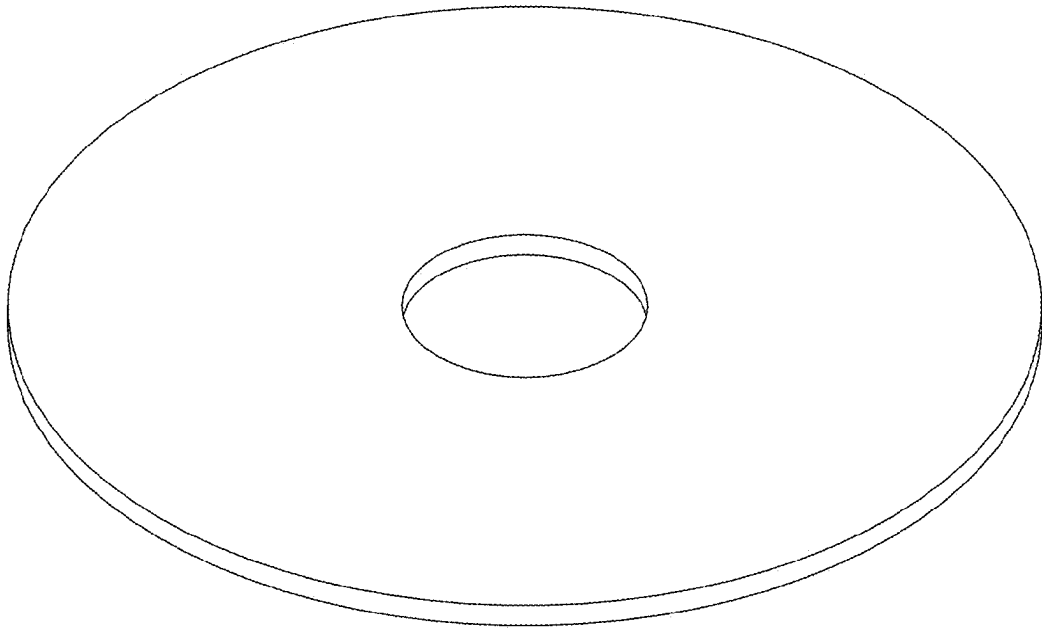


FIG. 11

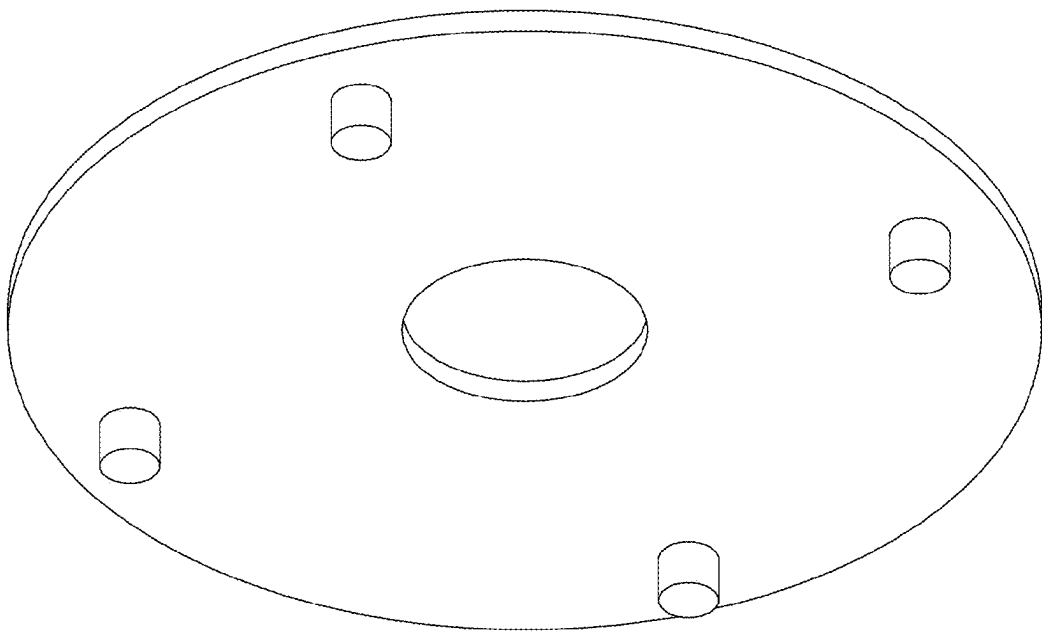


FIG. 12