



(12) **United States Design Patent**
Zziwa

(10) **Patent No.:** **US D1,100,790 S**
(45) **Date of Patent:** **** Nov. 4, 2025**

(54) **DRONE**

(71) Applicant: **Aloysious Zziwa**, Los Angeles, CA (US)

(72) Inventor: **Aloysious Zziwa**, Los Angeles, CA (US)

(**) Term: **15 Years**

(21) Appl. No.: **29/929,324**

(22) Filed: **Feb. 21, 2024**

(51) **LOC (15) Cl.** **12-06**

(52) **U.S. Cl.** **D12/16.1**
USPC **D12/16.1**

(58) **Field of Classification Search**
USPC D12/16.1, 1-4, 174, 319-345; D21/301, D21/436, 441, 443, 444, 446, 447, 448, D21/449, 450, 451, 452, 453
CPC B64C 29/0033; B64C 29/00; B64C 27/22; B64C 27/00
See application file for complete search history.

(56) **References Cited**

U.S. PATENT DOCUMENTS

| | | | | | |
|--------------|------|---------|-----------|-------|------------|
| 12,084,186 | B1 * | 9/2024 | Witman | | B64D 1/22 |
| D1,064,880 | S * | 3/2025 | Fujii | | D10/104.1 |
| D1,085,060 | S * | 7/2025 | Kan | | D14/230 |
| 2020/0302026 | A1 * | 9/2020 | Restifo | | G08G 5/26 |
| 2022/0411052 | A1 * | 12/2022 | Angelucci | | B64U 20/87 |
| 2024/0418602 | A1 * | 12/2024 | Kim | | B64F 5/60 |
| 2025/0169405 | A1 * | 5/2025 | Van Zandt | | A63B 57/50 |

OTHER PUBLICATIONS

"Joby Fly X, Mini Drone with HD Camera, Enclosed Propellers Guard, 6-Axis Gyro, Emergency Landing" amazon.com, post Pub-

lished Dec. 6, 2023. Retrieved Aug. 19, 2025. Available online at URL:https://www.amazon.com/Fly-Mini-Propellers-Emergency-compatible/dp/B0CPMFMWSN/ref=sr_1_96?crid=2H2VRL7CW7SU6 (Year: 2023).*
"SMRC S1 mini pocket drone with camera" firstquadcopter.com, post Published Jan. 8, 2018. Retrieved Aug. 19, 2025. Available online at URL:https://www.firstquadcopter.com/news/advertorials/smrc-s1-mini-pocket-drone-with-camera/ (Year: 2018).*

* cited by examiner

Primary Examiner — Darlington Ly

Assistant Examiner — Jessica Lynn Devilbiss

(74) *Attorney, Agent, or Firm* — Barry Choobin; Patent 360

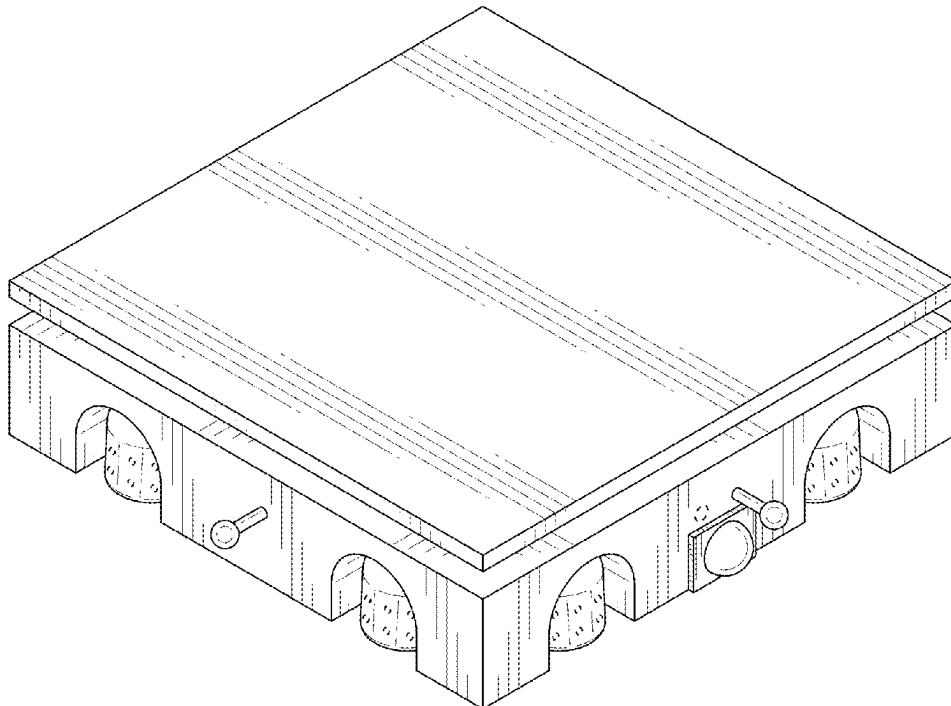
(57) **CLAIM**

The ornamental design for a drone, as shown and described.

DESCRIPTION

FIG. 1 is a perspective view of a drone, showing my new design;
FIG. 2 is a front view thereof;
FIG. 3 is a rear view thereof;
FIG. 4 is a right side view thereof;
FIG. 5 is a left side view thereof;
FIG. 6 is a top view thereof; and,
FIG. 7 is a bottom view thereof.
The broken lines depict portions of the drone that form no part of the claimed design.

1 Claim, 5 Drawing Sheets



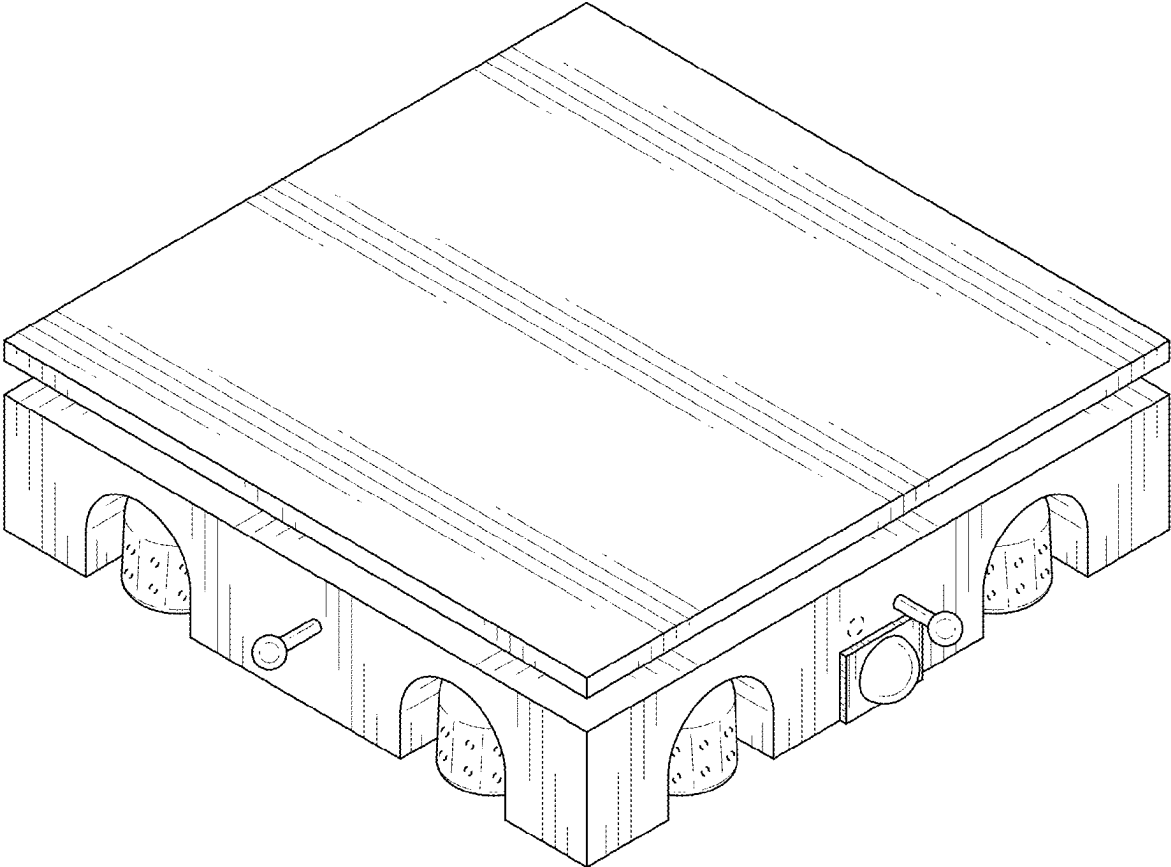


FIG. 1

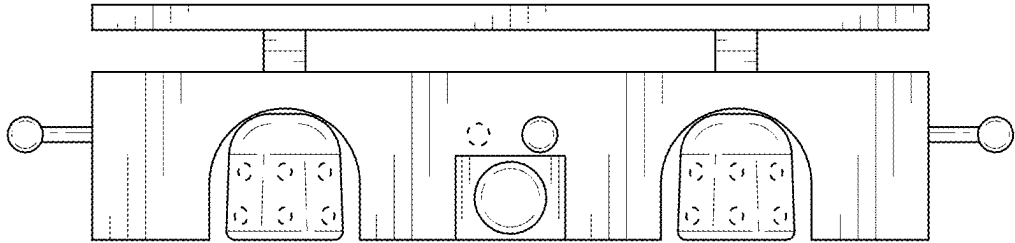


FIG. 2

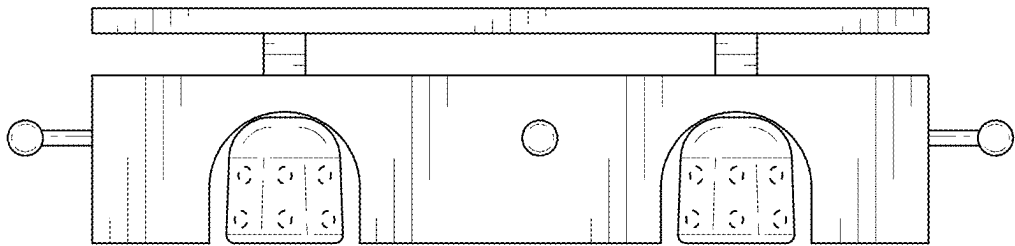


FIG. 3

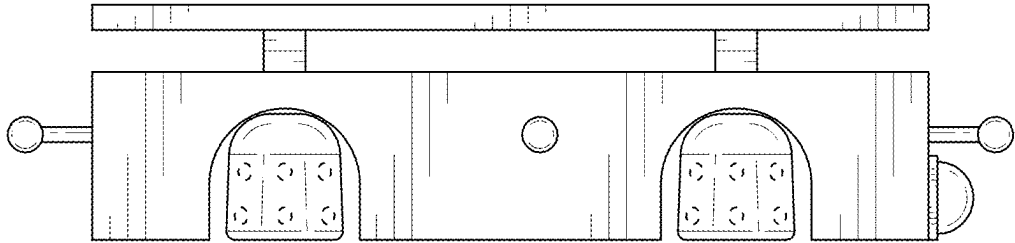


FIG. 4

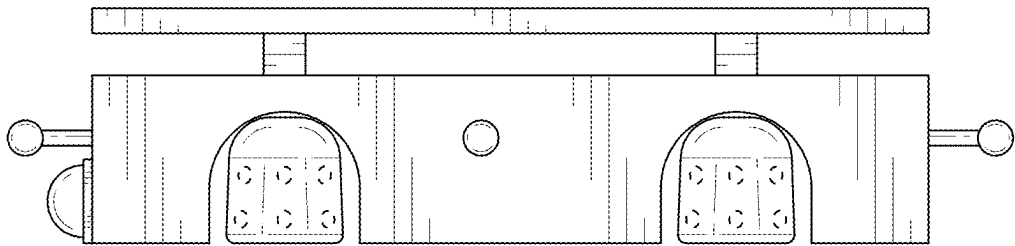


FIG. 5

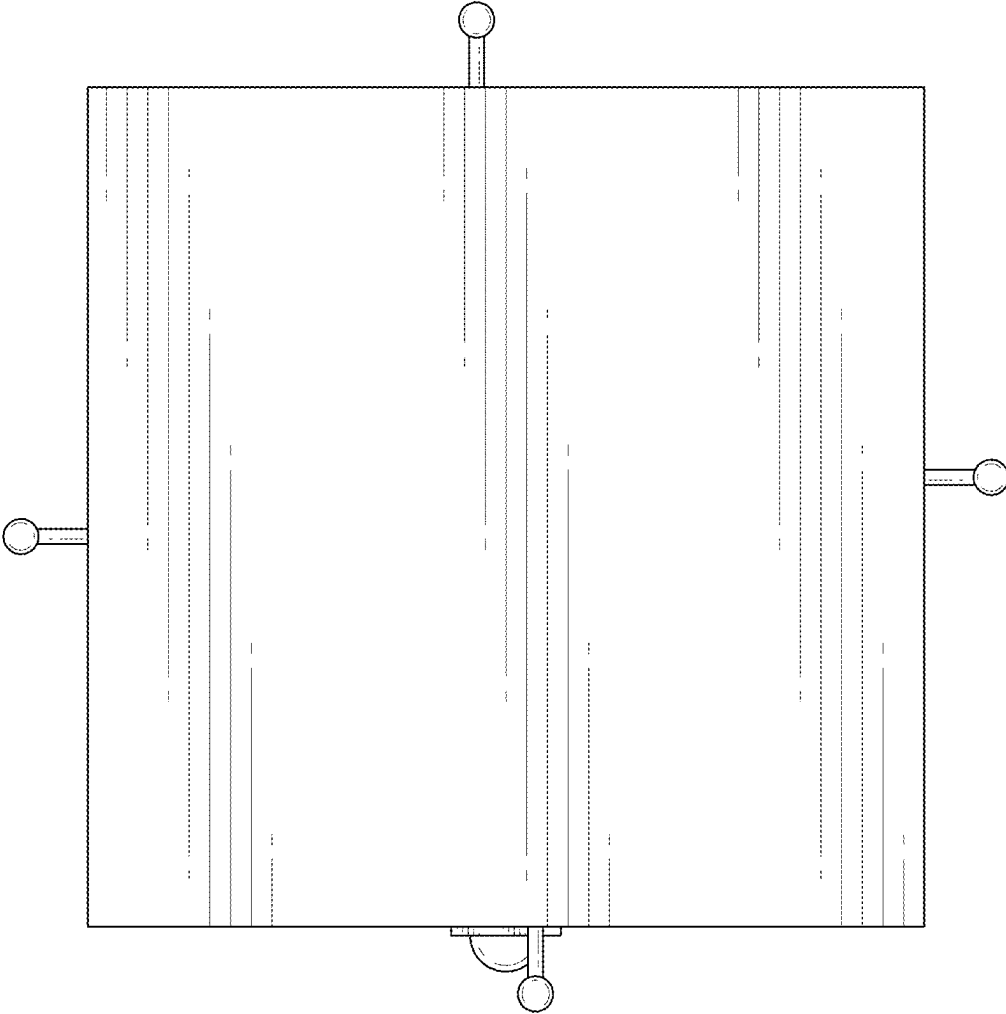


FIG. 6

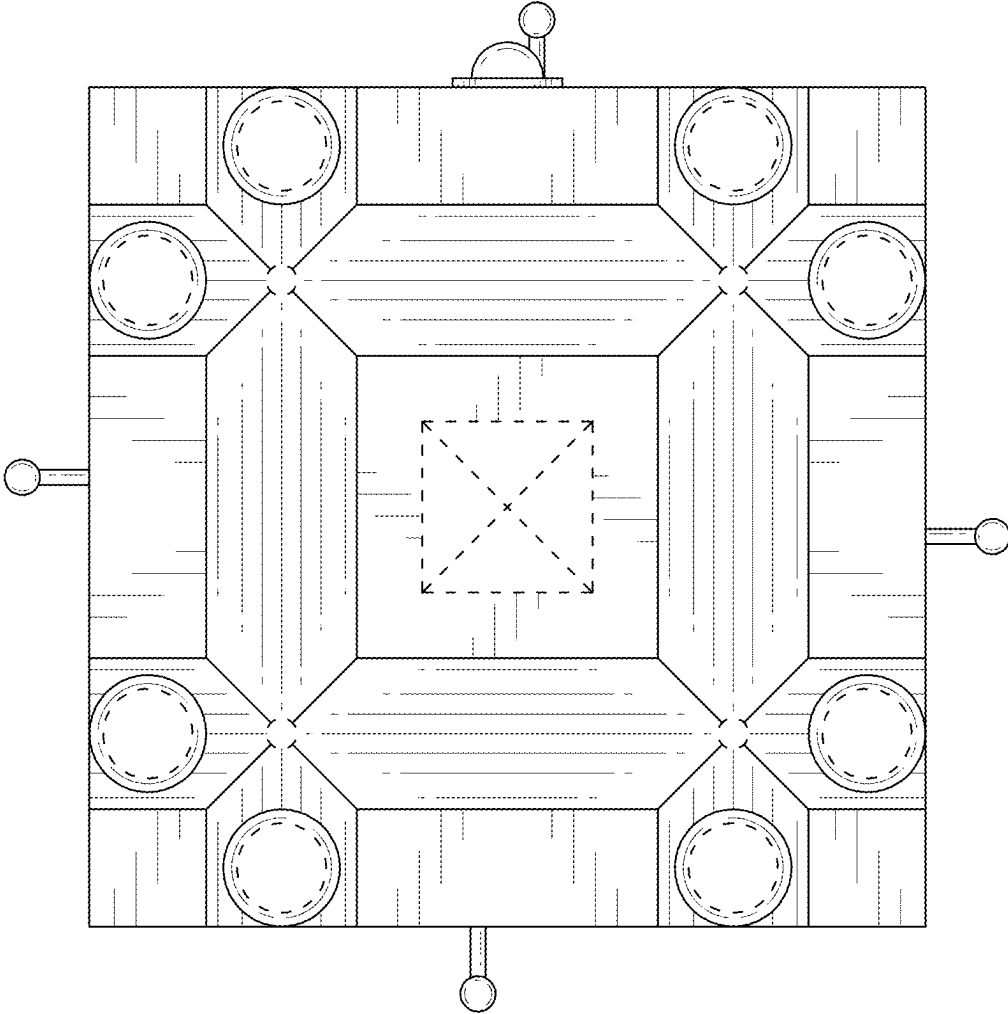


FIG. 7