



US0D1099308S

(12) **United States Design Patent**
Hanson

(10) **Patent No.:** **US D1,099,308 S**

(45) **Date of Patent:** **** Oct. 21, 2025**

(54) **PENILE SECUREMENT CLIP FOR A URETHRAL CATHETER BYPASSING INDICATOR**

D820,442 S *	6/2018	Conatser	D24/128
D942,620 S *	2/2022	Doerr	D24/128
D1,042,813 S *	9/2024	Hanson	D24/128
D1,066,691 S *	3/2025	Zhang	D24/190
2008/0066321 A1 *	3/2008	Vallero	A61B 17/0467 606/174

(71) Applicant: **Darrin Hanson**, Piermont, NY (US)

(72) Inventor: **Darrin Hanson**, Piermont, NY (US)

(**) Term: **15 Years**

(21) Appl. No.: **29/914,047**

(22) Filed: **Oct. 12, 2023**

(51) **LOC (15) Cl.** **24-02**

(52) **U.S. Cl.**
USPC **D24/128**

(58) **Field of Classification Search**
USPC D24/105, 127-130, 133, 178, 184, 186,
D24/190
CPC A61B 2017/00292; A61B 2017/00358;
A61B 2017/00424; A61B 2017/00438;
A61M 25/02; A61M 2025/0206; A61M
2025/024; A61M 2025/028; A61M
2025/0213

See application file for complete search history.

(56) **References Cited**

U.S. PATENT DOCUMENTS

D273,993 S *	5/1984	Schulte	D13/133
D340,990 S *	11/1993	Kawamura	D24/190
5,795,334 A *	8/1998	Cochrane, III	A61M 25/02 604/174
D444,223 S *	6/2001	Johnson	D24/105
6,280,432 B1 *	8/2001	Turovskiy	A61B 17/12136 604/523
D528,659 S *	9/2006	Cherfas	D24/190
D565,729 S *	4/2008	Stephens	D24/128
D571,463 S *	6/2008	Chesnin	D24/128
D573,255 S *	7/2008	Stephens	D24/128
D686,737 S *	7/2013	Nasir	D24/190
D710,996 S *	8/2014	Bayly	D24/130
D793,549 S *	8/2017	Defusco	D24/128

(Continued)

Primary Examiner — Bao-Yen T Nguyen

Assistant Examiner — Amanda J Berlinski

(74) *Attorney, Agent, or Firm* — Barry Choobin; Patent
360

(57) **CLAIM**

The ornamental design for a penile securement clip for a urethral catheter bypassing indicator, as shown and described.

DESCRIPTION

FIG. 1 is a front elevation view of a penile securement clip for a urethral catheter bypassing indicator, shown in a closed position;

FIG. 2 is a right elevation view thereof;

FIG. 3 is a left elevation view thereof;

FIG. 4 is a back elevation view thereof;

FIG. 5 is a top elevation view thereof;

FIG. 6 is a bottom plan view thereof;

FIG. 7 is a front perspective view thereof;

FIG. 8 is a left perspective view thereof;

FIG. 9 is a back perspective view thereof;

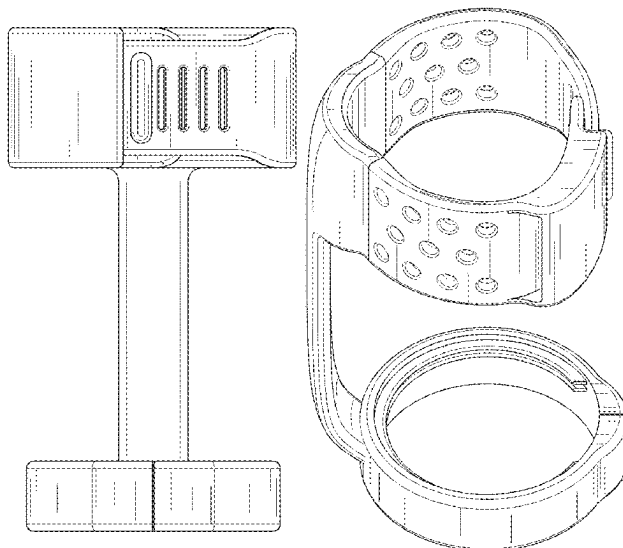
FIG. 10 is a right perspective view thereof;

FIG. 11 is a front elevation view thereof, shown mounted on a penile shaft and a urethral catheter bypassing indicator in a condition of use; and,

FIG. 12 is a side elevation view thereof, shown mounted on the penile shaft and the urethral catheter bypassing indicator in a condition of use.

The broken lines in FIGS. 11 and 12 depict a penis and urethral catheter with bypassing indicator and forms no part of the claimed design.

1 Claim, 12 Drawing Sheets



(56)

References Cited

U.S. PATENT DOCUMENTS

2014/0100580 A1* 4/2014 Yu A61B 17/3403
606/96
2023/0166083 A1* 6/2023 Fuentes Muries A61F 2/0054
604/174
2024/0198055 A1* 6/2024 Barnett-Vanes A61M 25/02
2024/0198056 A1* 6/2024 Barnett-Vanes A61M 25/02

* cited by examiner

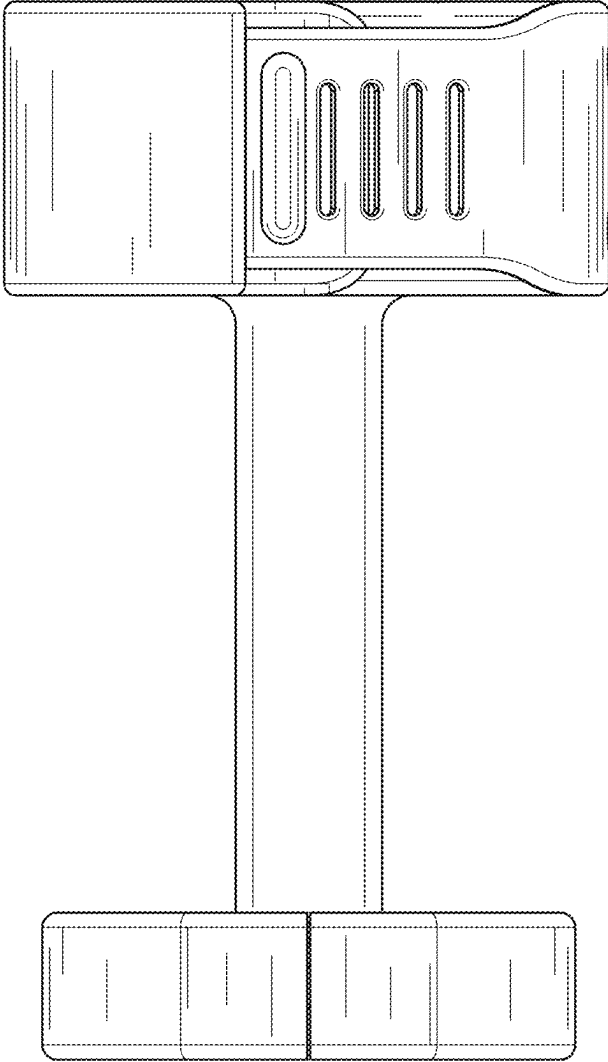


FIG. 1

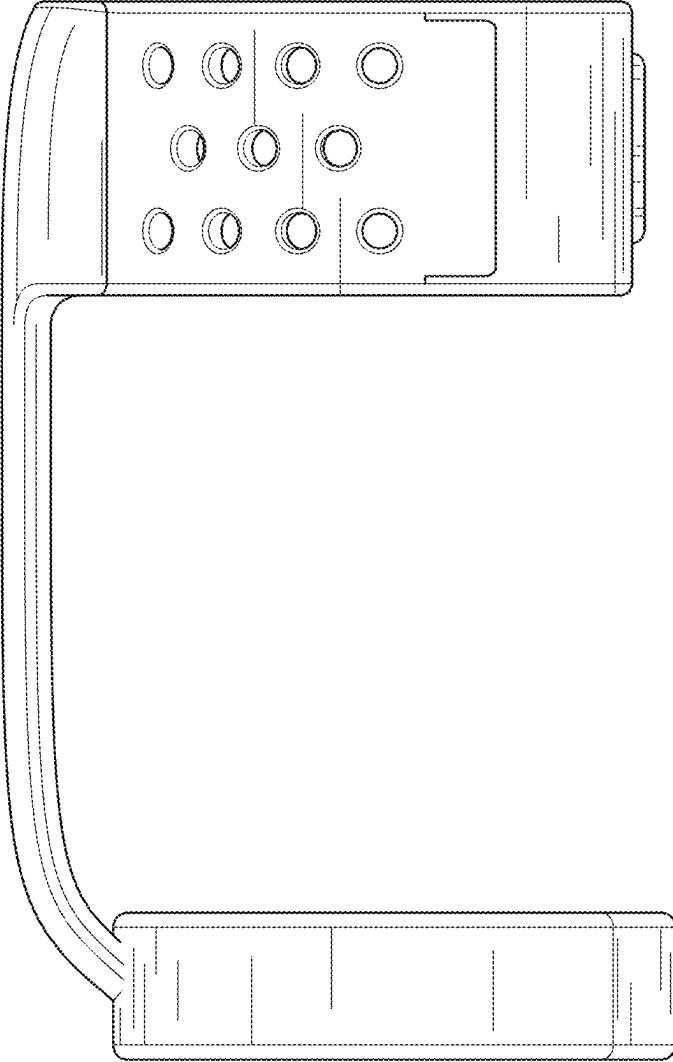


FIG. 2

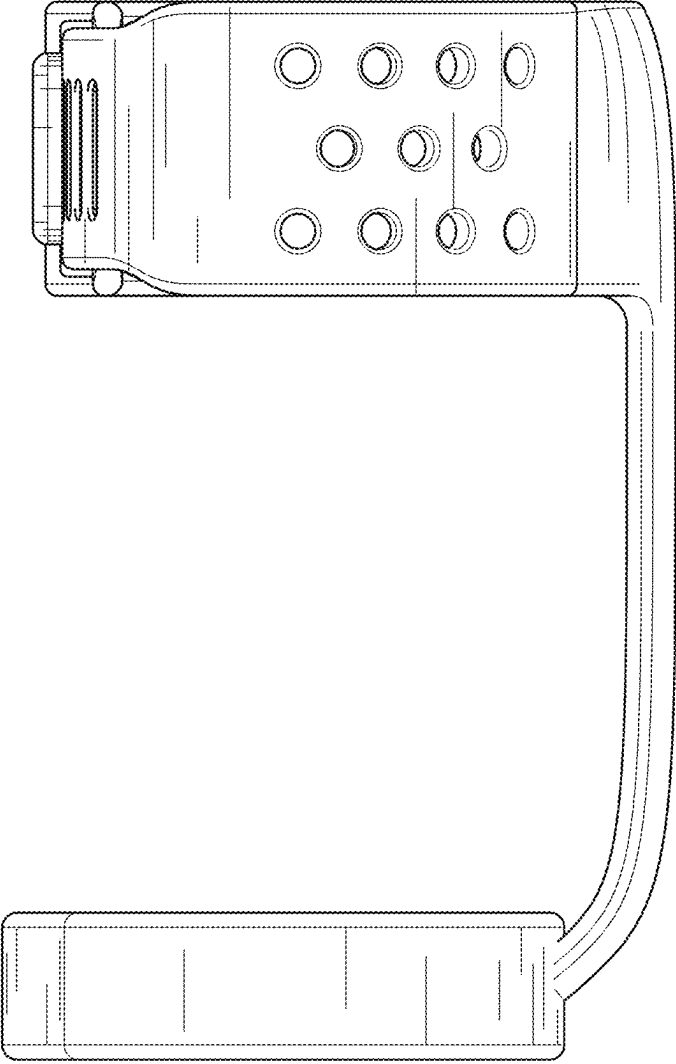


FIG. 3

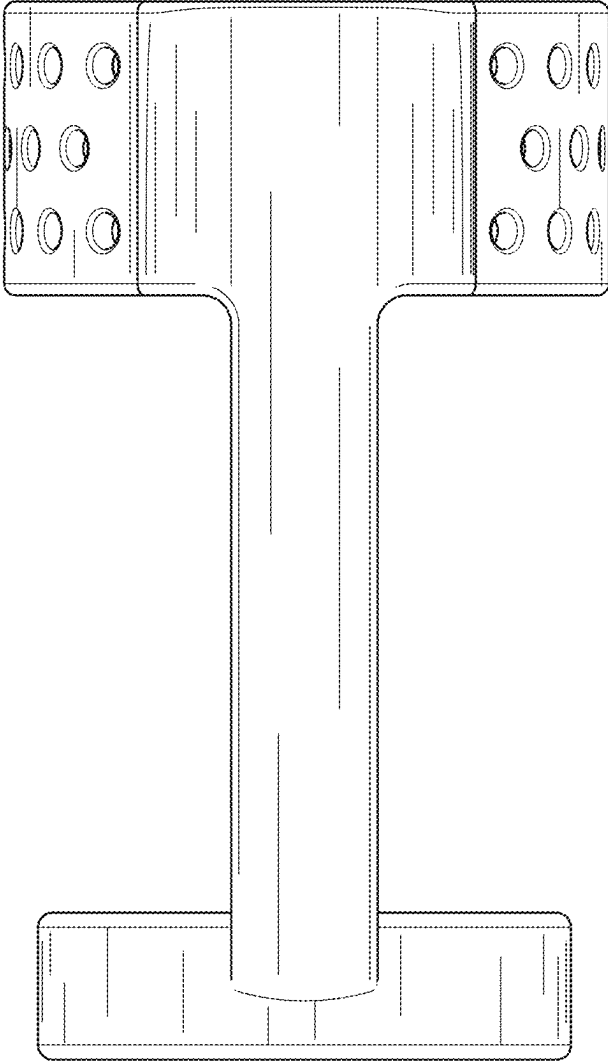


FIG. 4

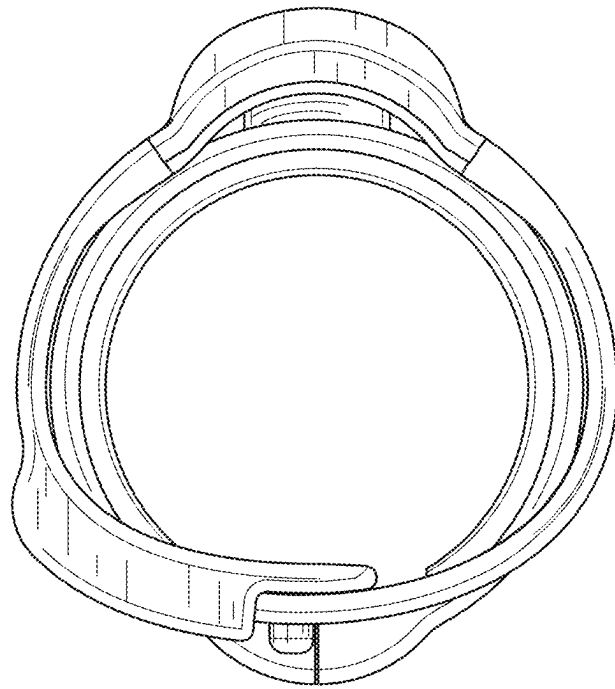


FIG. 5

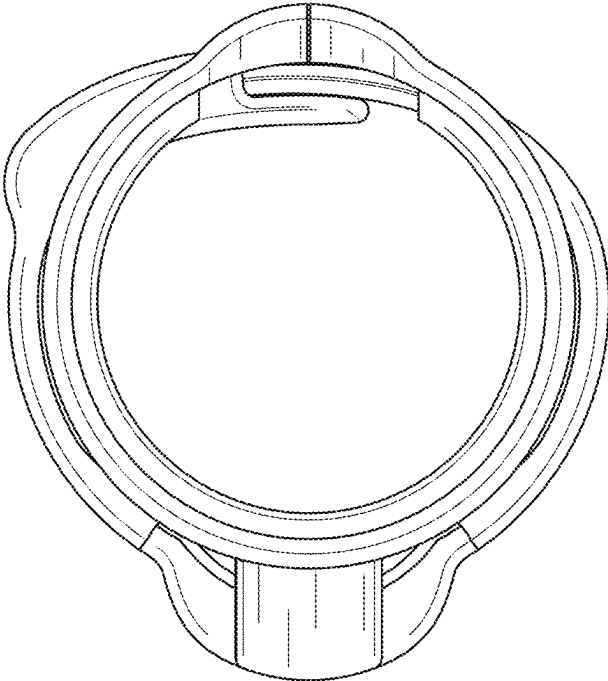


FIG. 6

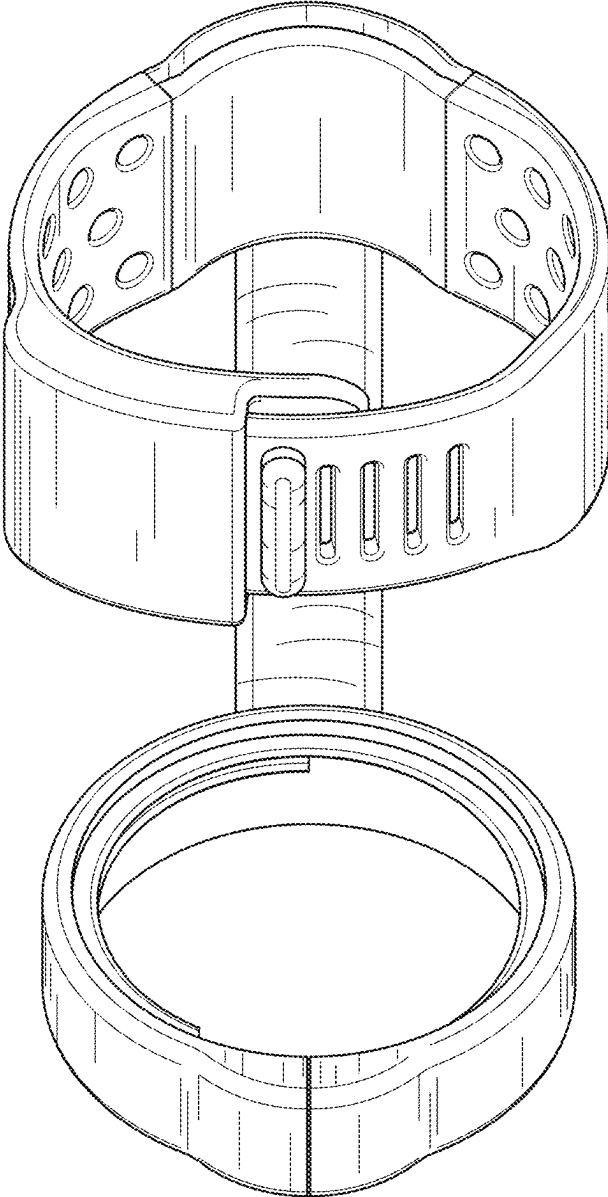


FIG. 7

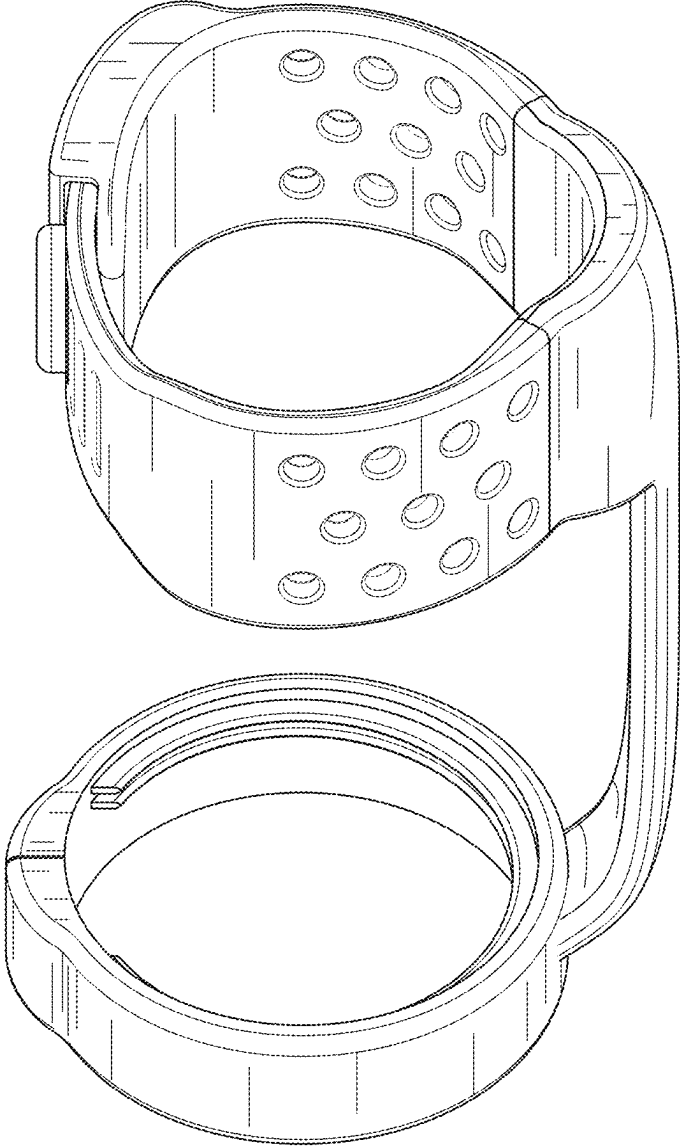


FIG. 8

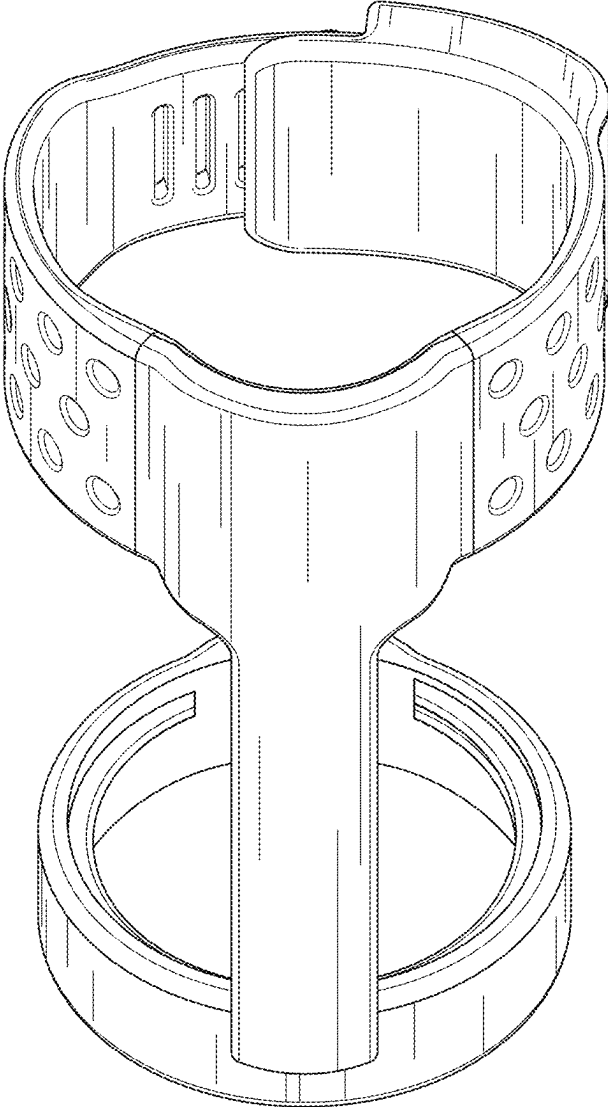


FIG. 9

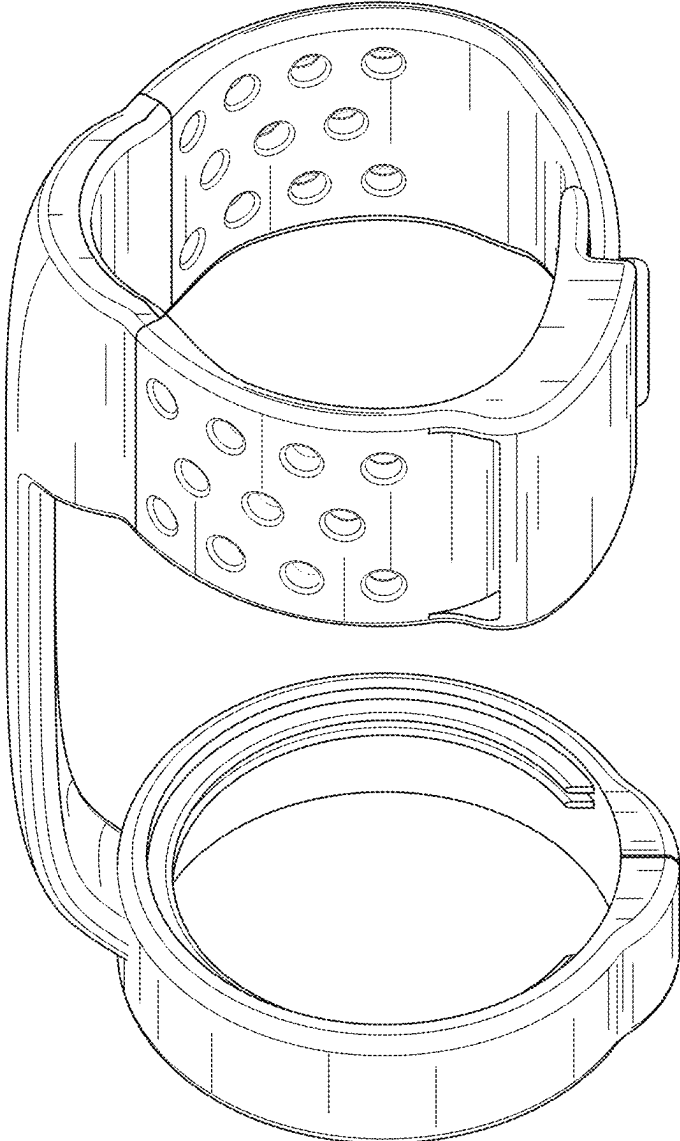


FIG. 10

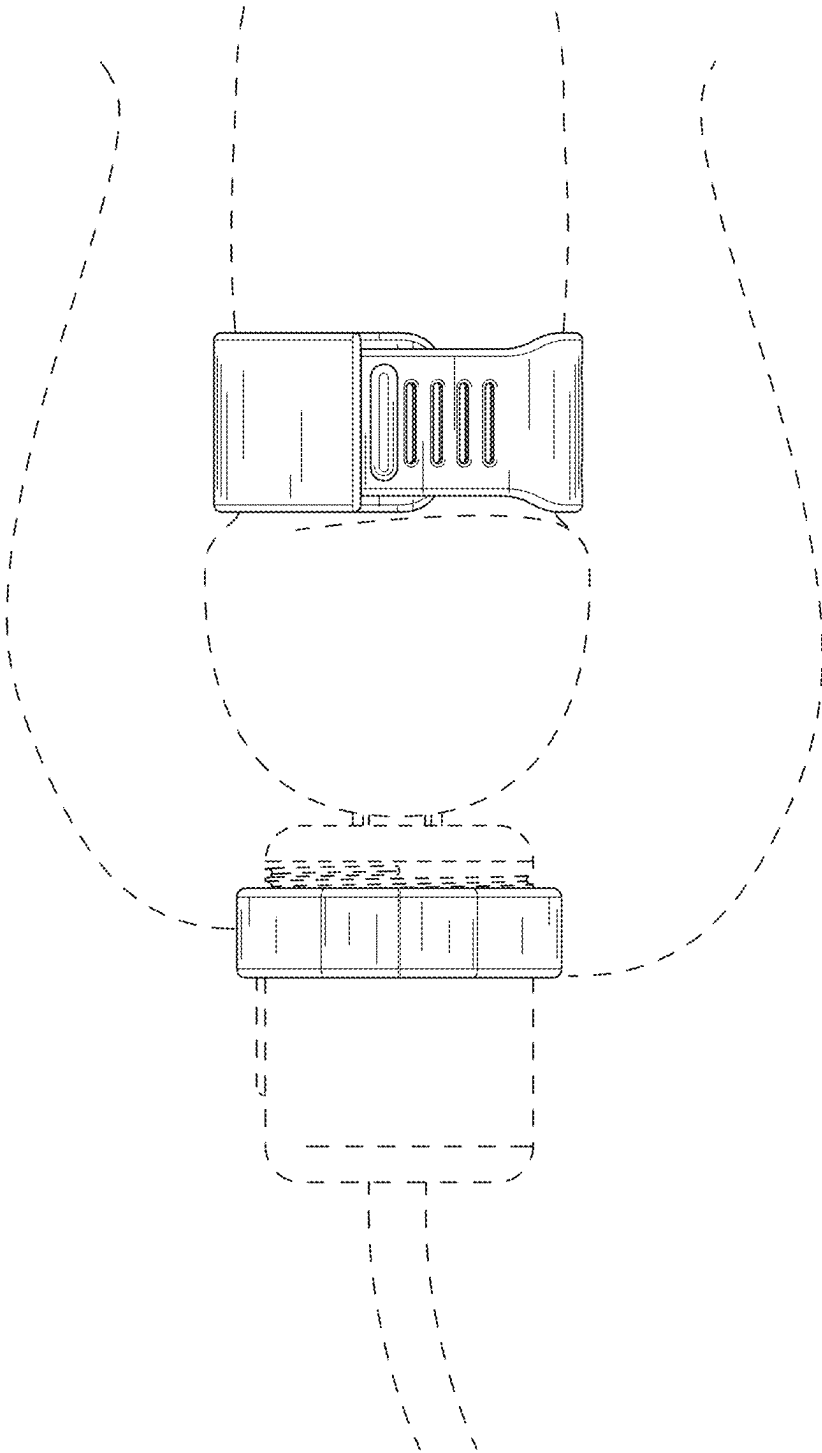


FIG. 11

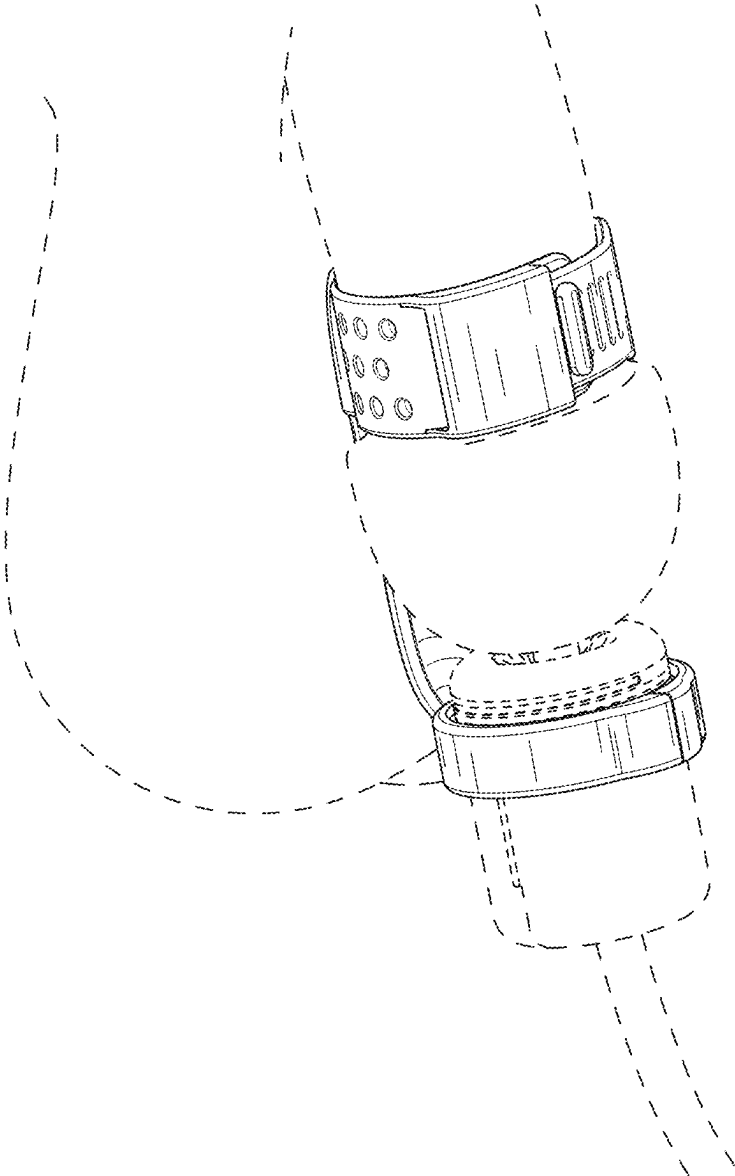


FIG. 12