



US0D1094101S

(12) **United States Design Patent** (10) **Patent No.:** **US D1,094,101 S**
Peer (45) **Date of Patent:** **** Sep. 23, 2025**

(54) **SPRAY BOTTLE WITH STORAGE COMPARTMENTS**

(71) Applicant: **Roy Peer**, Brandon, FL (US)

(72) Inventor: **Roy Peer**, Brandon, FL (US)

(**) Term: **15 Years**

(21) Appl. No.: **29/926,982**

(22) Filed: **Feb. 1, 2024**

(51) **LOC (15) Cl.** **09-01**

(52) **U.S. Cl.**
USPC **D9/523**

(58) **Field of Classification Search**
USPC D9/448, 523, 738, 516, 530, 540, 543,
D9/574, 575, 456, 682, 684, 685, 740,
D9/569, 443

CPC .. B65D 21/0228; B65D 23/00; B65D 1/0223;
B65D 83/00; B65D 25/04; B05B 11/0037
See application file for complete search history.

(56) **References Cited**

U.S. PATENT DOCUMENTS

D342,678	S	*	12/1993	Warner	D9/570
D372,428	S	*	8/1996	Malmquist	D9/523
D380,681	S	*	7/1997	De Souza	D9/543
D402,553	S	*	12/1998	Webster	D9/543
D403,588	S	*	1/1999	Jungmann	D9/523
D404,650	S	*	1/1999	Hefter	D9/569
D421,388	S	*	3/2000	Cummings	D9/448
D429,159	S	*	8/2000	Feen	D9/543
D434,665	S	*	12/2000	Wetherell, Jr.	D9/543
D447,420	S	*	9/2001	Cummings	D9/530
D486,397	S	*	2/2004	Crawford	D9/523
D495,257	S	*	8/2004	Crawford	D9/543
D501,796	S	*	2/2005	Crawford	D9/543
D774,913	S	*	12/2016	Schwartz	D9/563
D1,005,124	S	*	11/2023	Peer	D9/738
D1,005,126	S	*	11/2023	Peer	D9/738
D1,058,378	S	*	1/2025	Peer	D9/738

(Continued)

FOREIGN PATENT DOCUMENTS

DE M9705778 * 1/1998
ES D0517205 * 7/2013

(Continued)

OTHER PUBLICATIONS

Grove Co. Glass Spray Bottles, posted Sep. 27, 2023 [amazon], [retrieved Aug. 8, 2025]. Retrieved from internet, <https://www.amazon.com/Grove-Co-Cleaning-Solutions-Refillable/dp/B0CCB7DH4C> (Year: 2023).*

(Continued)

Primary Examiner — Kevin K Rudzinski

Assistant Examiner — Woosuk K Shin

(74) *Attorney, Agent, or Firm* — Barry Choobin; Patent 360

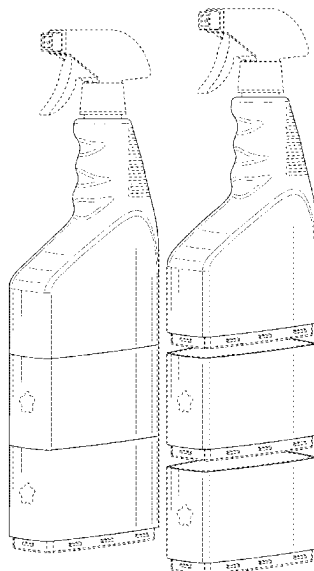
(57) **CLAIM**

The ornamental design for a spray bottle with storage compartments, as shown and described.

DESCRIPTION

FIG. 1 is a perspective view of a spray bottle with storage compartments, showing my new design; FIG. 2 is a front view thereof; FIG. 3 is a rear view thereof; FIG. 4 is a right side view thereof; FIG. 5 is a left side view thereof; FIG. 6 is a top view thereof; FIG. 7 is a bottom view thereof; and, FIG. 8 is a perspective view thereof, in which the storage compartments are shown separated. The broken lines depict portions of the spray bottle with storage compartments that form no part of the claimed design.

1 Claim, 7 Drawing Sheets



(56)

References Cited

U.S. PATENT DOCUMENTS

2008/0049414 A1* 2/2008 McKay A47L 13/26
222/192
2015/0144714 A1* 5/2015 Pirtle B05B 11/0008
239/302
2025/0074652 A1* 3/2025 Peer B05B 11/0037

FOREIGN PATENT DOCUMENTS

GB 90006941040001 * 5/2009
IT 75458 * 3/2002

OTHER PUBLICATIONS

Replenish Cleaning Products: You Provide the Water (And Help Save the Earth), posted Oct. 19, 2010 [Fast Company], [retrieved Aug. 8, 2025]. Retrieved from internet, <https://www.fastcompany.com/1662521/replenish-cleaning-products-you-provide-the-water-and-help-save-the-earth> (Year: 2010).*

* cited by examiner

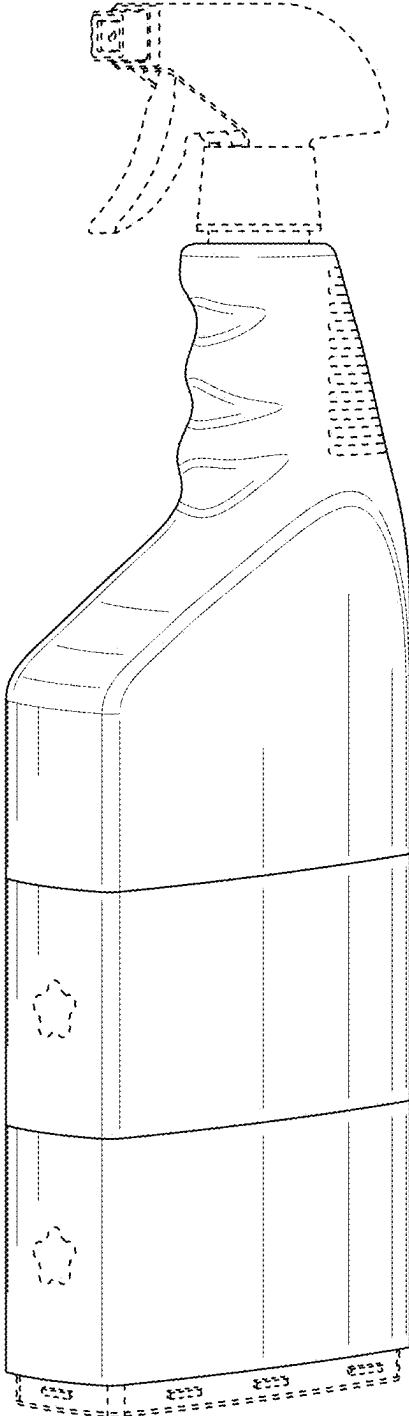


FIG. 1

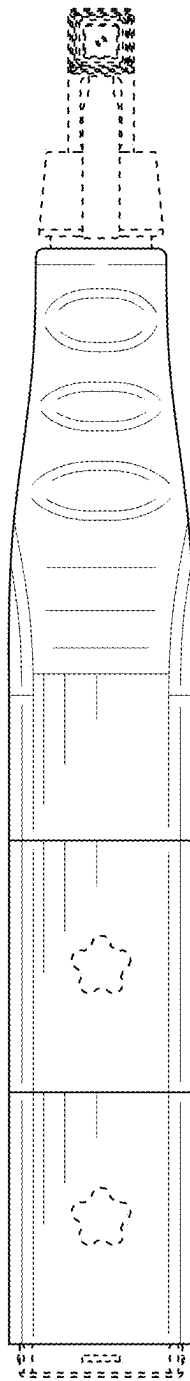


FIG. 2

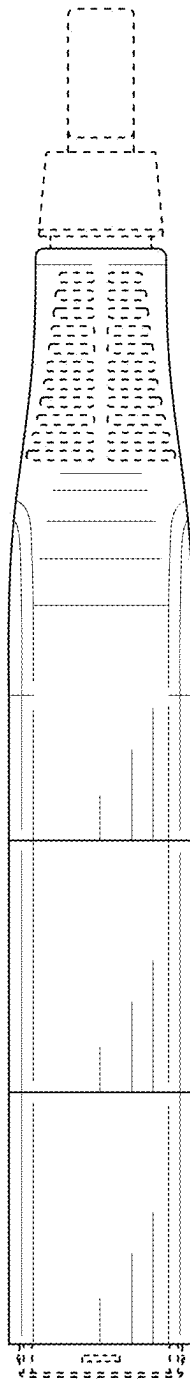


FIG. 3

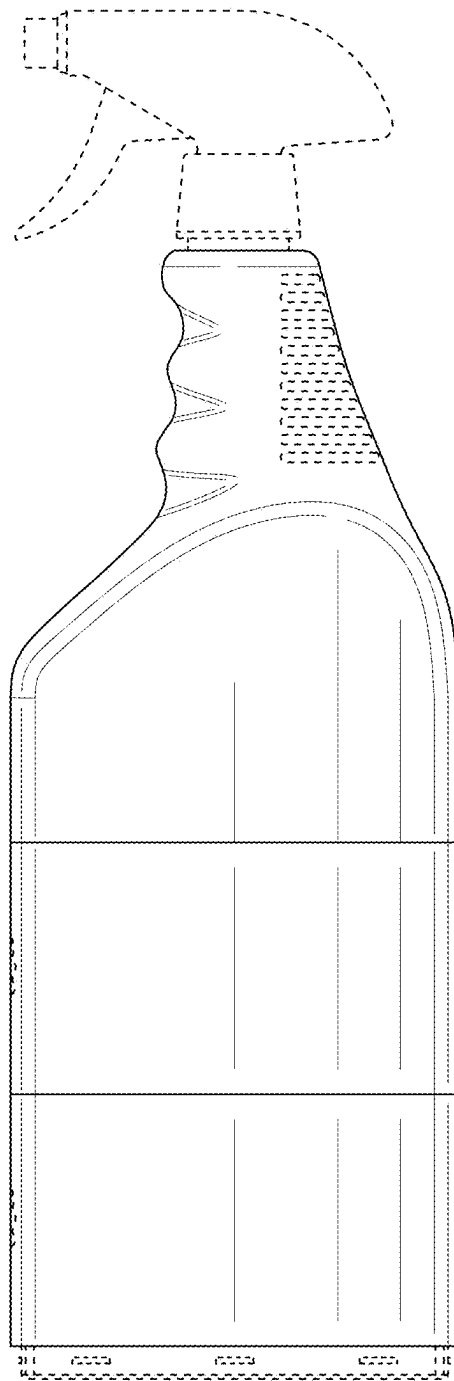


FIG. 4

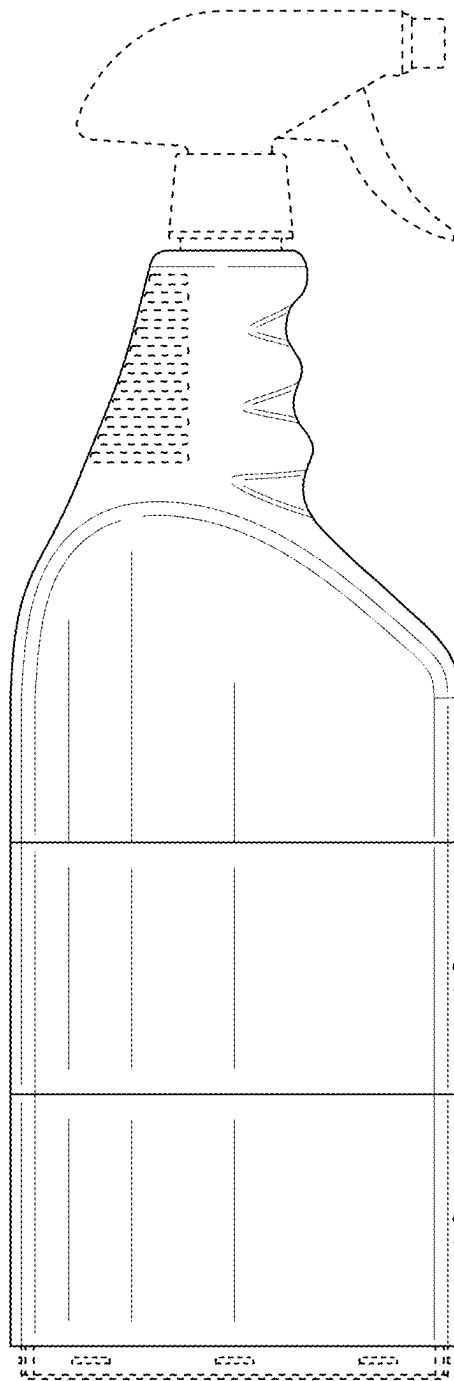


FIG. 5

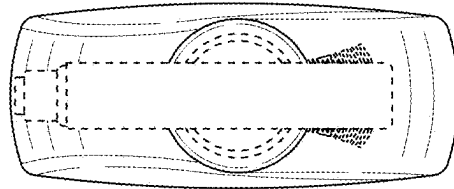


FIG. 6

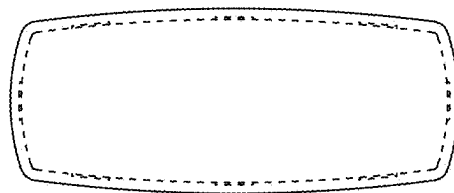


FIG. 7

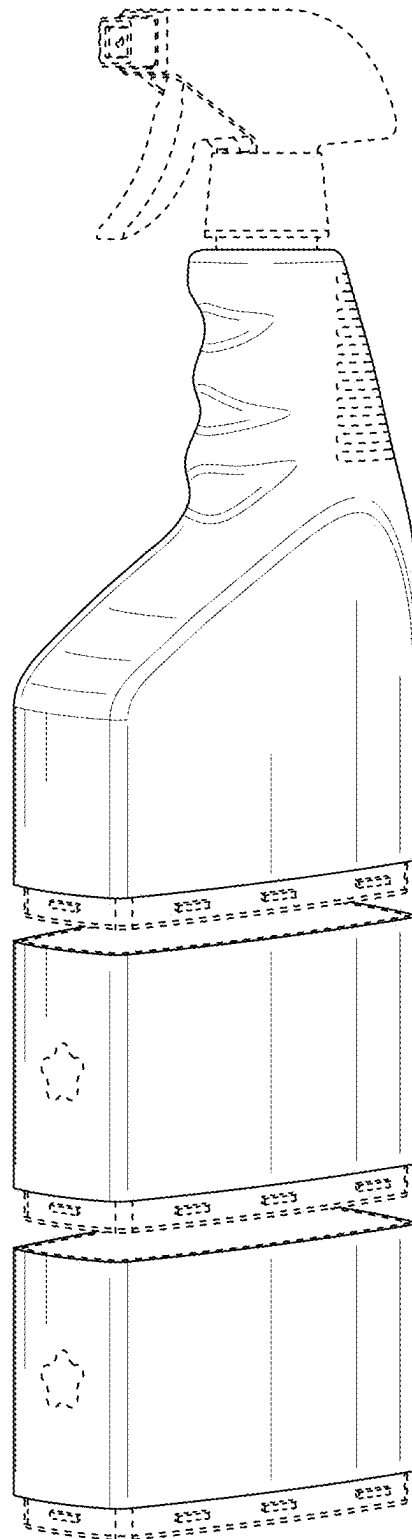


FIG. 8