



US0D1096053S

(12) **United States Design Patent**
Wolfe

(10) **Patent No.:** **US D1,096,053 S**

(45) **Date of Patent:** **** Sep. 30, 2025**

- (54) **MOBILE UTILITY CART**
- (71) Applicant: **Paul Wolfe**, Bridgeport, TX (US)
- (72) Inventor: **Paul Wolfe**, Bridgeport, TX (US)
- (**) Term: **15 Years**
- (21) Appl. No.: **29/838,946**
- (22) Filed: **May 17, 2022**
- (51) **LOC (15) Cl.** **12-02**
- (52) **U.S. Cl.**
USPC **D34/21**
- (58) **Field of Classification Search**
USPC D34/12, 14, 16-25, 35; D6/675.3, 681,
D6/681.2, 681.3, 682, 682.1, 682.2,
D6/682.3, 682.4, 552, 672, 680.2, 681.1,
D6/682.6, 405
CPC .. B62B 3/04; B62B 3/10; B62B 3/006; B62B
3/102; B62B 3/104; B62B 3/108; B62B
2203/00
See application file for complete search history.

D526,105 S *	8/2006	Van Es	D34/21
8,789,710 B1 *	7/2014	Moore	B62B 1/20
				211/41.14
8,919,582 B1 *	12/2014	Kmetz, III	B62B 3/10
				211/85.8
D864,625 S *	10/2019	Rockwell	D6/675
D1,004,888 S *	11/2023	Burns	D34/12

OTHER PUBLICATIONS

Itool cart, announced 2022 [online], [site visited Mar. 4, 2025].
Avail from int, URL: <https://itoolco.com/product/wire-cart-xl/> (Year: 2022).*

* cited by examiner

Primary Examiner — Tamara L Hahn
(74) *Attorney, Agent, or Firm* — Barry Choobin; Patent
360

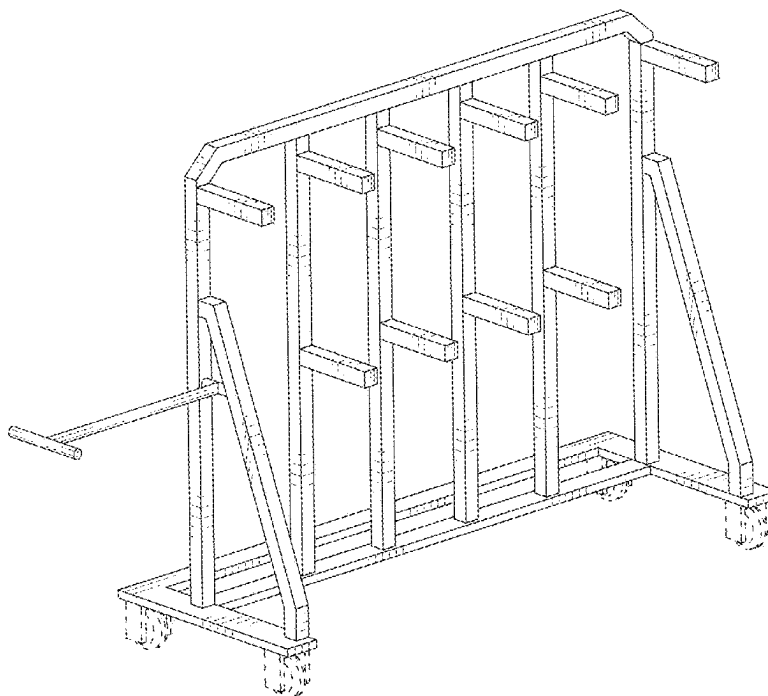
(57) **CLAIM**
The ornamental design for a mobile utility cart, as shown
and described.

DESCRIPTION

FIG. 1 is a perspective view of a mobile utility cart, showing
my new design;
FIG. 2 is a front view thereof;
FIG. 3 is a rear view thereof;
FIG. 4 is a right side view thereof;
FIG. 5 is a left side view thereof;
FIG. 6 is a top view thereof; and,
FIG. 7 is a bottom view thereof.
The broken lines depict portions of the article that form no
part of the claimed design.

1 Claim, 6 Drawing Sheets

- (56) **References Cited**
U.S. PATENT DOCUMENTS
- 2,760,647 A * 8/1956 Saul, Jr. B62B 3/02
248/220.31
- D197,199 S * 12/1963 Kroll D34/21
- 4,690,376 A * 9/1987 Duncan B66F 19/00
254/338
- 5,037,117 A * 8/1991 Hershberger B62B 3/108
280/35
- 5,535,898 A * 7/1996 Burgess, Sr B62B 3/108
211/206
- D491,330 S * 6/2004 Violo D34/21



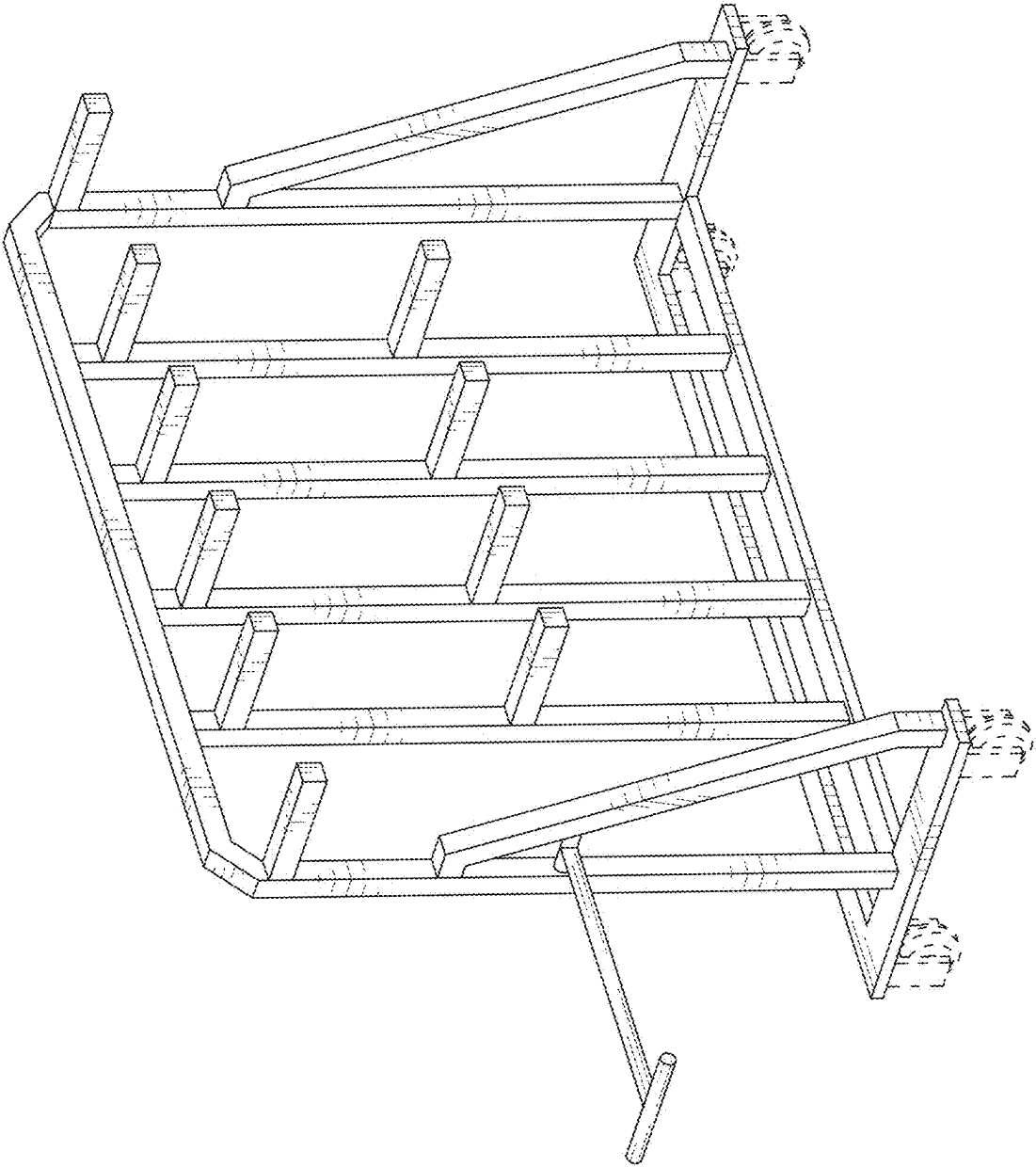


FIG. 1

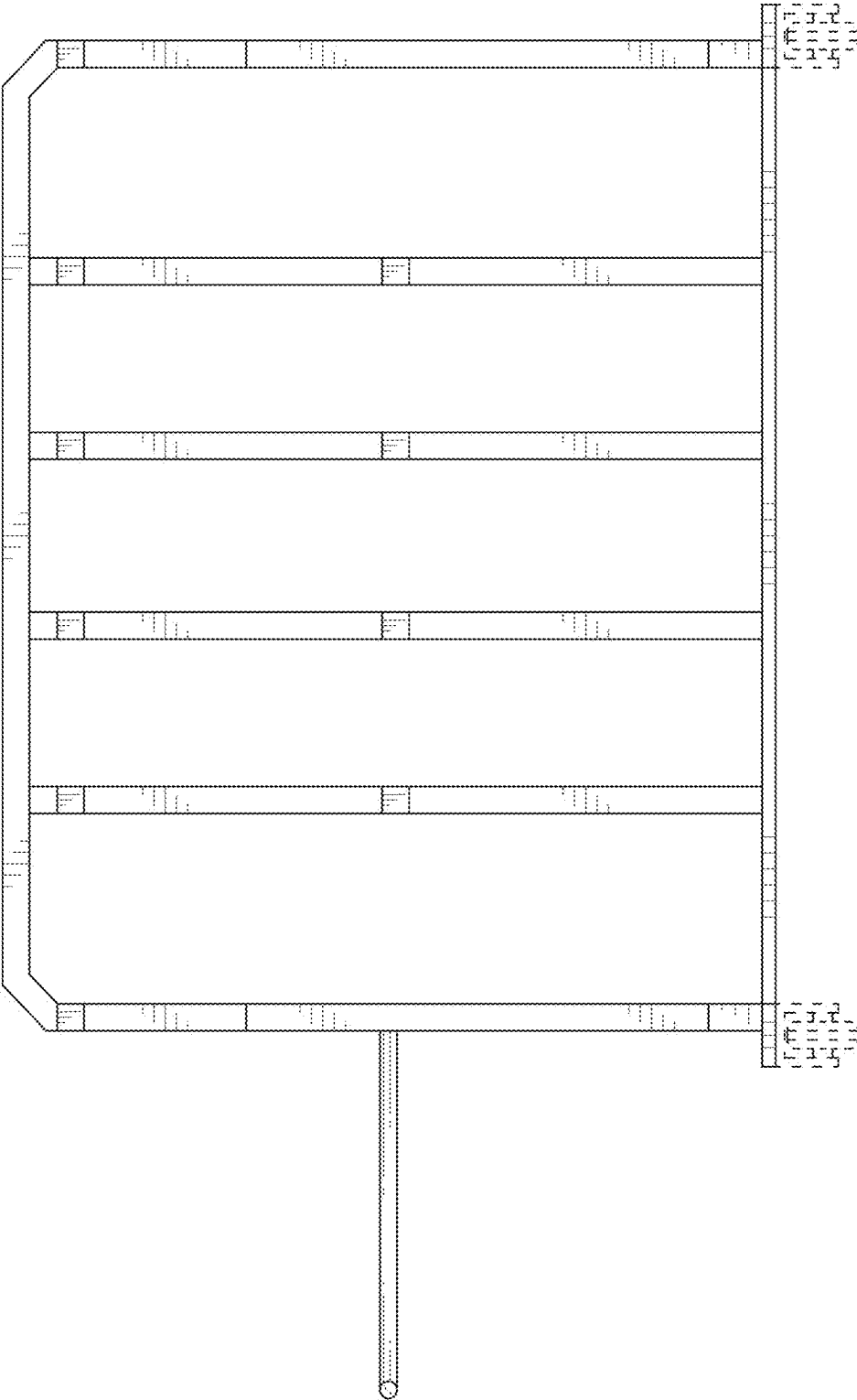


FIG. 2

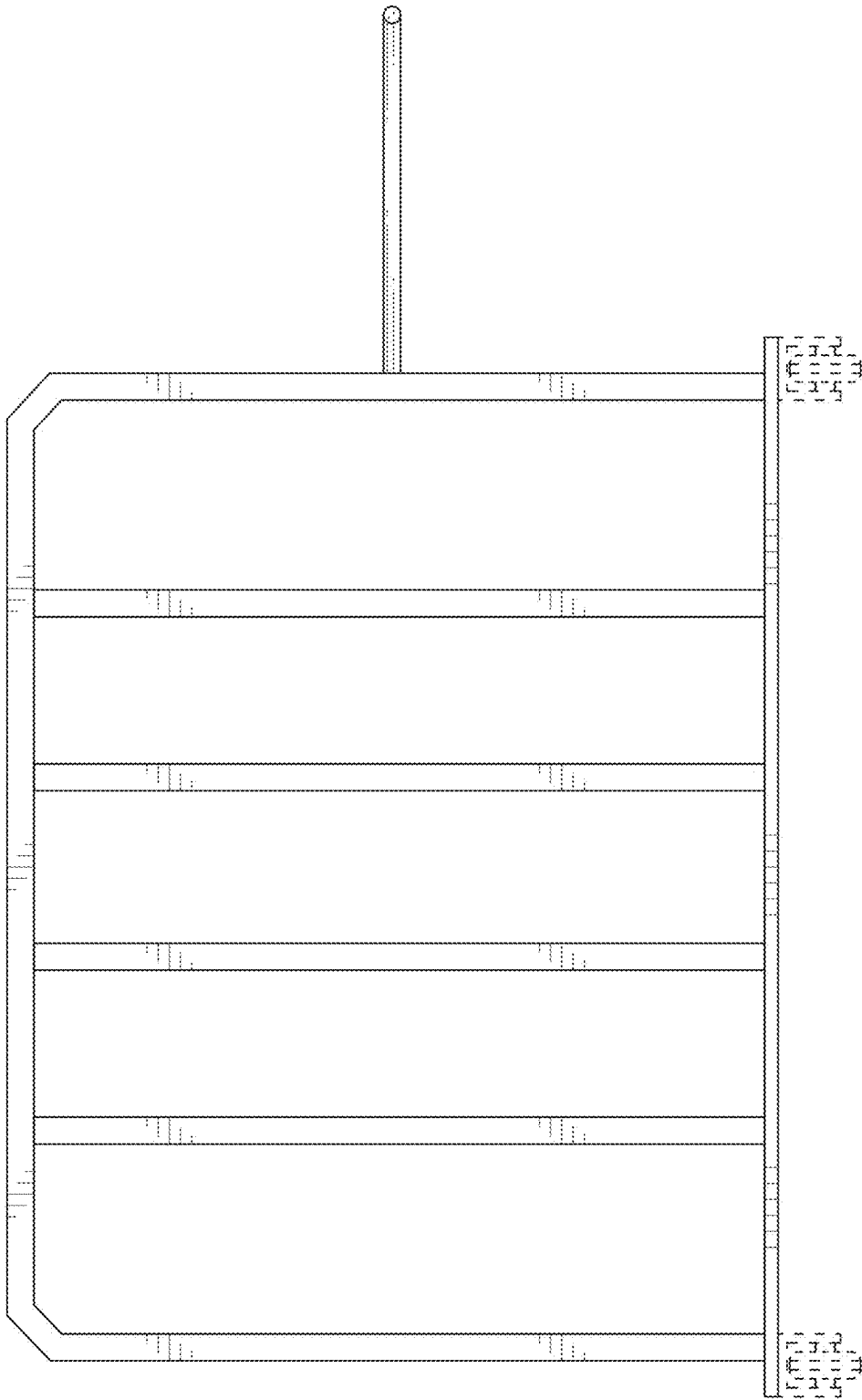


FIG. 3

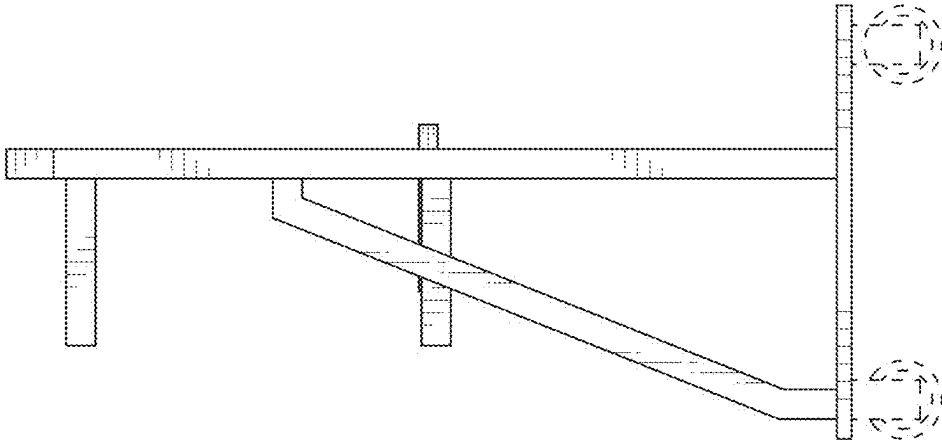


FIG. 5

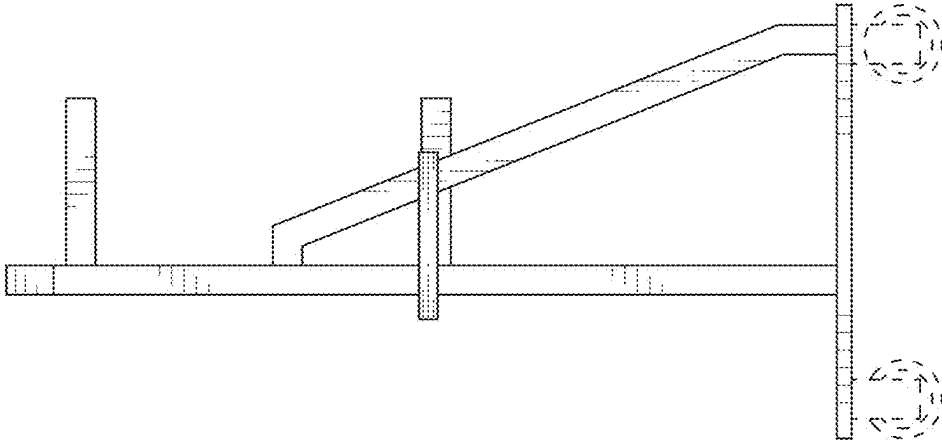


FIG. 4

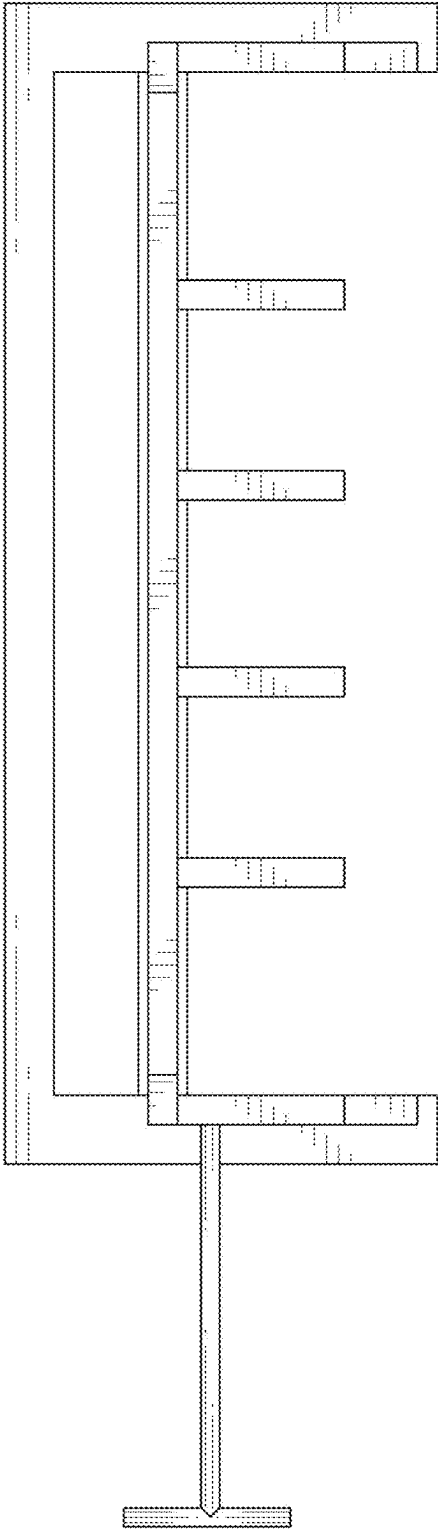


FIG. 6

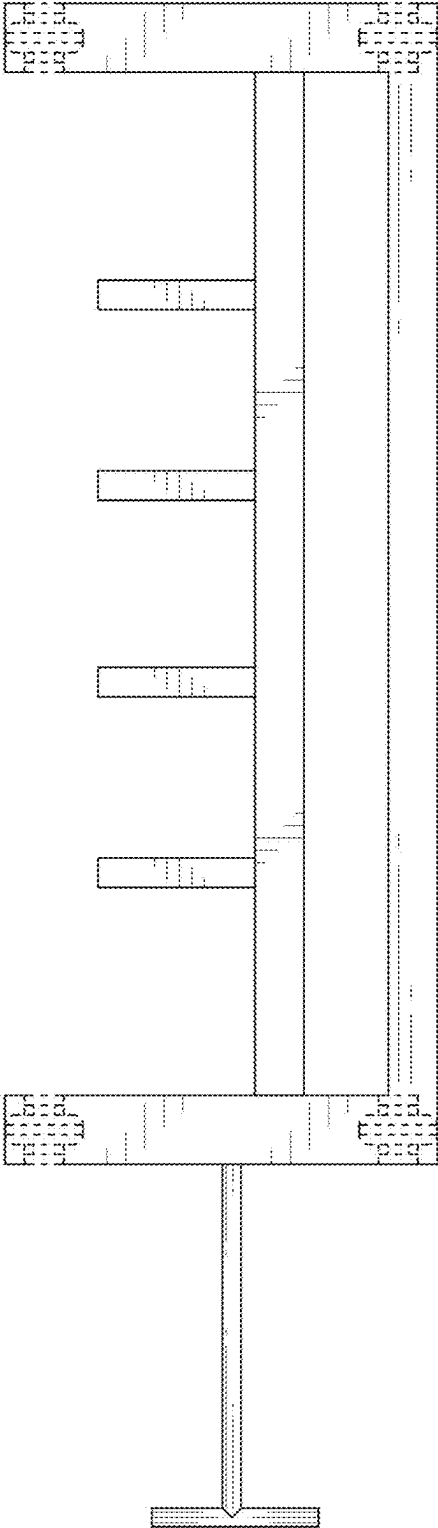


FIG. 7