



US0D1096051S

(12) **United States Design Patent**  
**Wolfe**

(10) **Patent No.:** **US D1,096,051 S**

(45) **Date of Patent:** **\*\* Sep. 30, 2025**

(54) **CHAIN BINDER CART**  
(71) Applicant: **Paul Wolfe**, Bridgeport, TX (US)  
(72) Inventor: **Paul Wolfe**, Bridgeport, TX (US)  
(\*\*) Term: **15 Years**

D864,627 S \* 10/2019 Rockwell ..... D6/675  
D880,801 S \* 4/2020 Heck ..... D34/21  
D885,806 S \* 6/2020 Rockwell ..... D6/675  
D972,804 S \* 12/2022 Au ..... D34/21  
2012/0007343 A1\* 1/2012 Webster ..... B62B 3/108  
280/659

(21) Appl. No.: **29/839,416**  
(22) Filed: **May 20, 2022**  
(51) **LOC (15) Cl.** ..... **12-02**  
(52) **U.S. Cl.**  
USPC ..... **D34/17**  
(58) **Field of Classification Search**  
USPC ..... D34/12, 14, 16-25, 35; D6/675.3, 681,  
D6/681.2, 681.3, 682, 682.1, 682.2,  
D6/682.3, 682.4, 552, 672, 680.2, 681.1,  
D6/682.6, 405  
CPC ..... A47F 7/24; A47F 7/02; A47F 7/04; A47F  
7/06  
See application file for complete search history.

**OTHER PUBLICATIONS**

WolfeWelding, announced 2024 [online], [site visited Mar. 4, 2025].  
Avail from int, URL: <https://wolfeWelding.com/> (Year: 2024)\*

\* cited by examiner

*Primary Examiner* — Tamara L Hahn  
(74) *Attorney, Agent, or Firm* — Barry Choobin; Patent  
360

(57) **CLAIM**  
The ornamental design for a chain binder cart, as shown and  
described.

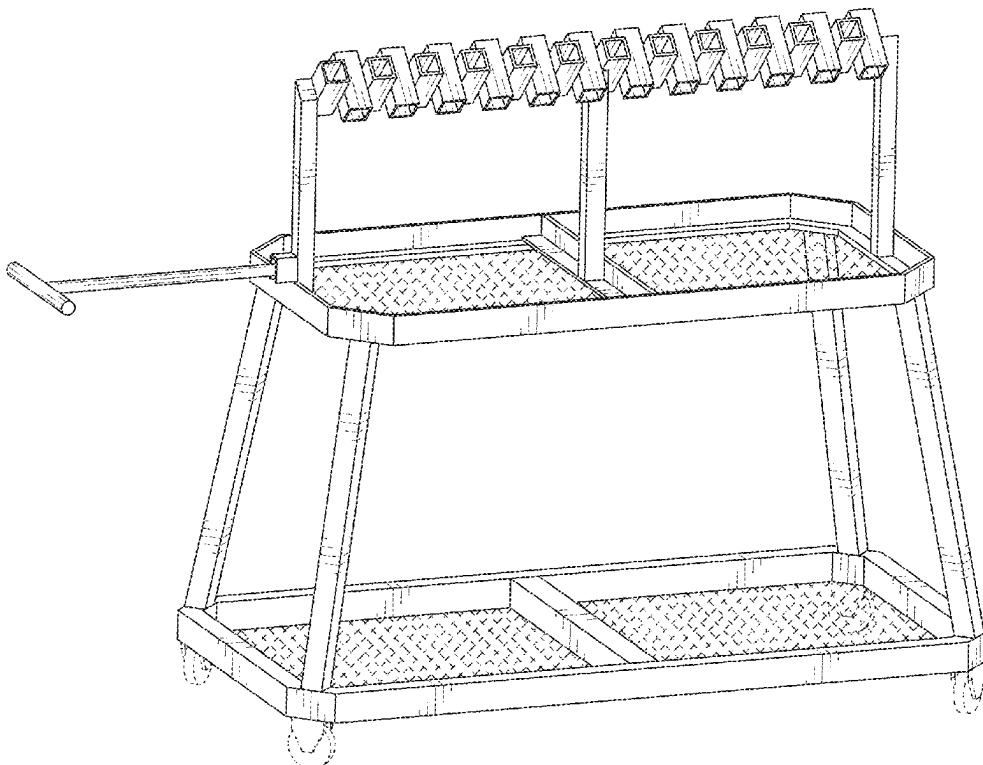
**DESCRIPTION**

FIG. 1 is a perspective view of a chain binder cart, showing  
my new design;  
FIG. 2 is a front view thereof;  
FIG. 3 is a rear view thereof;  
FIG. 4 is a right side view thereof;  
FIG. 5 is a left side view thereof;  
FIG. 6 is a top view thereof; and,  
FIG. 7 is a bottom view thereof.  
The broken lines depict portions of the article that form no  
part of the claimed design.

(56) **References Cited**  
**U.S. PATENT DOCUMENTS**

4,690,376 A \* 9/1987 Duncan ..... B66F 19/00  
254/338  
D295,337 S \* 4/1988 Bogart ..... D34/17  
D526,104 S \* 8/2006 Van Es ..... D34/21  
D678,640 S \* 3/2013 Es ..... D34/21  
D678,641 S \* 3/2013 Es ..... D34/21  
D679,470 S \* 4/2013 Es ..... D34/21  
D864,625 S \* 10/2019 Rockwell ..... D6/675

**1 Claim, 7 Drawing Sheets**



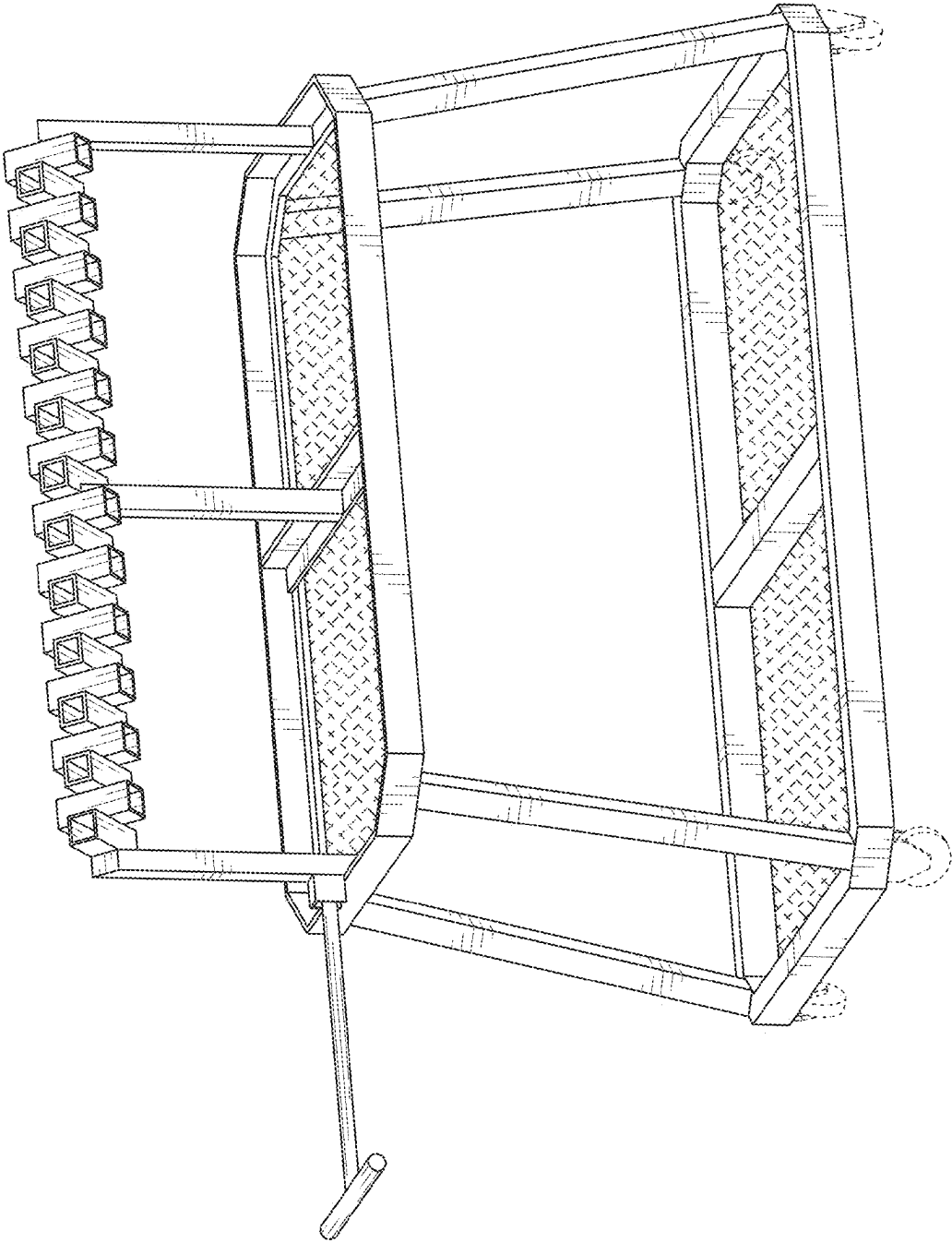


FIG. 1

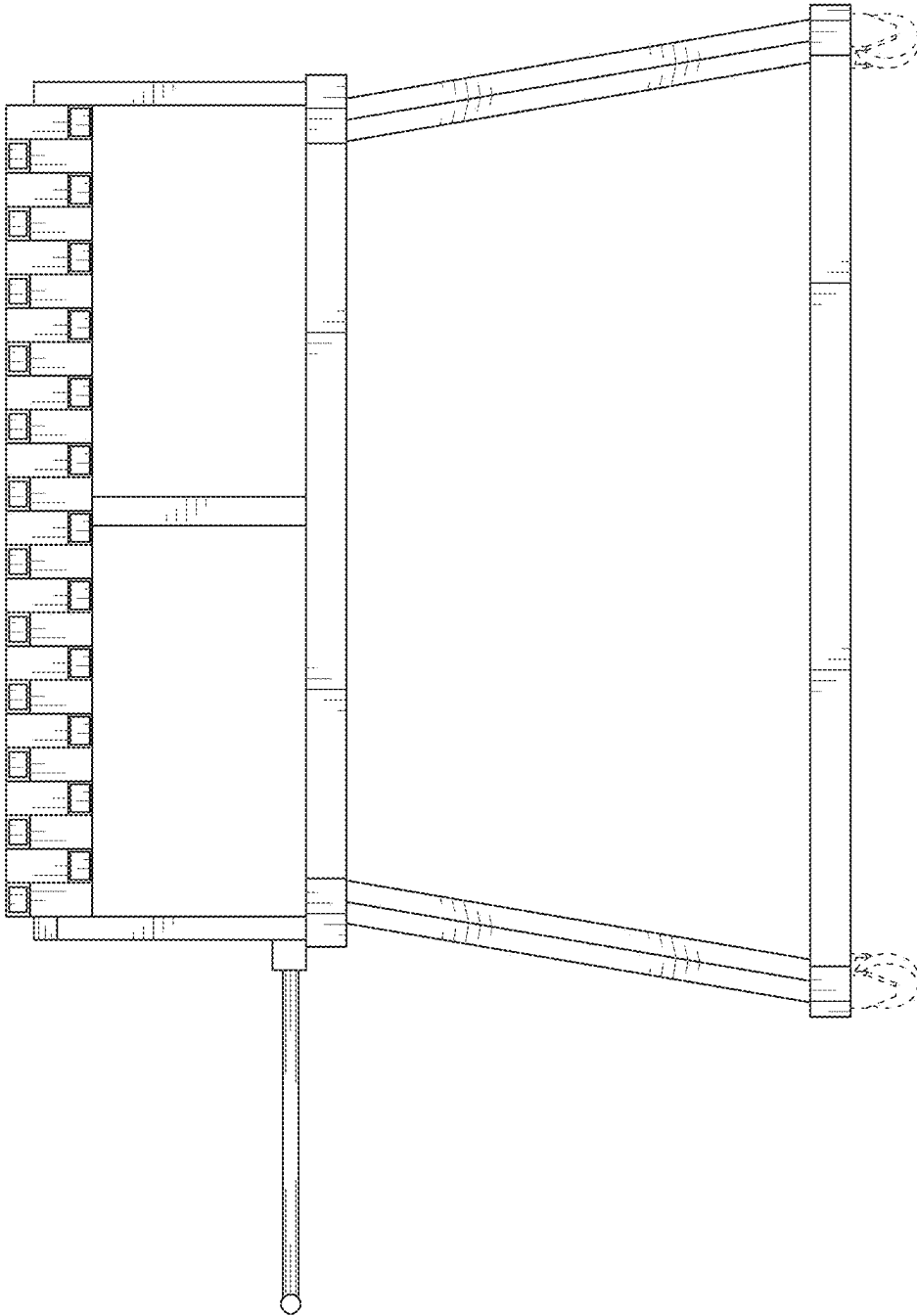


FIG. 2

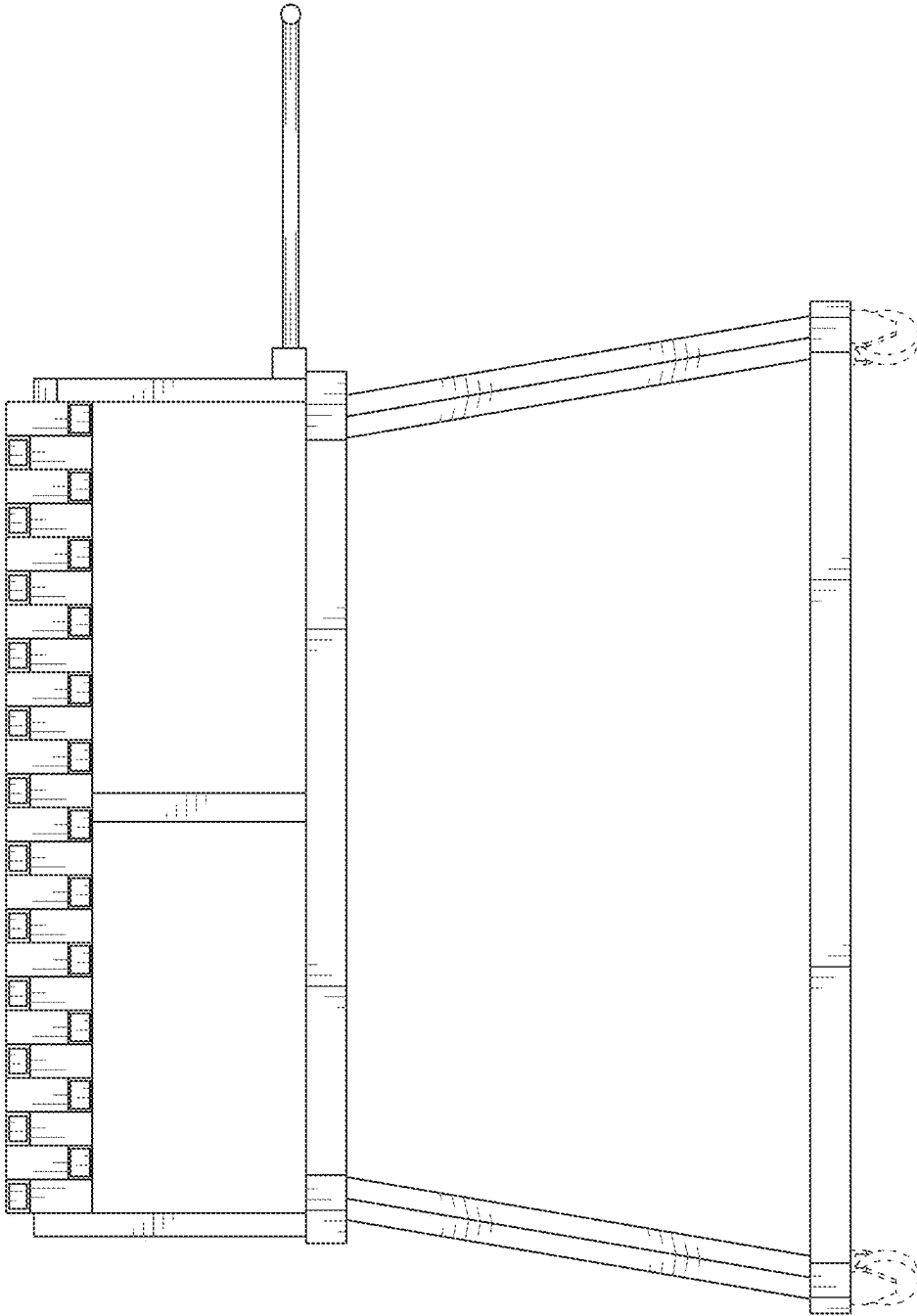


FIG. 3

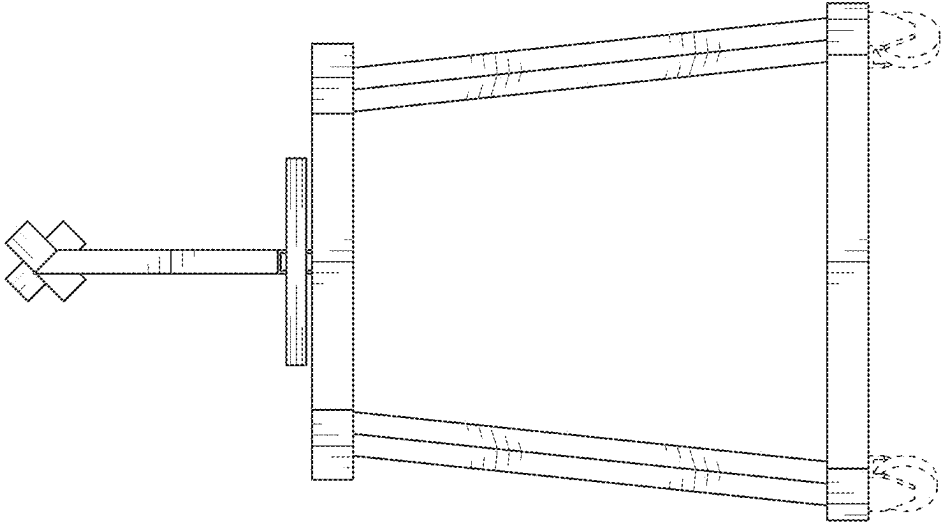


FIG. 4

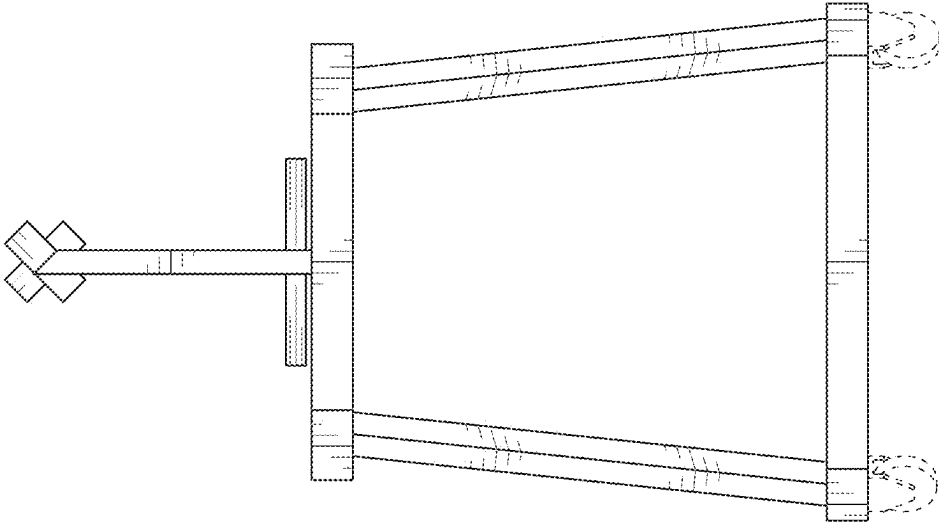


FIG. 5

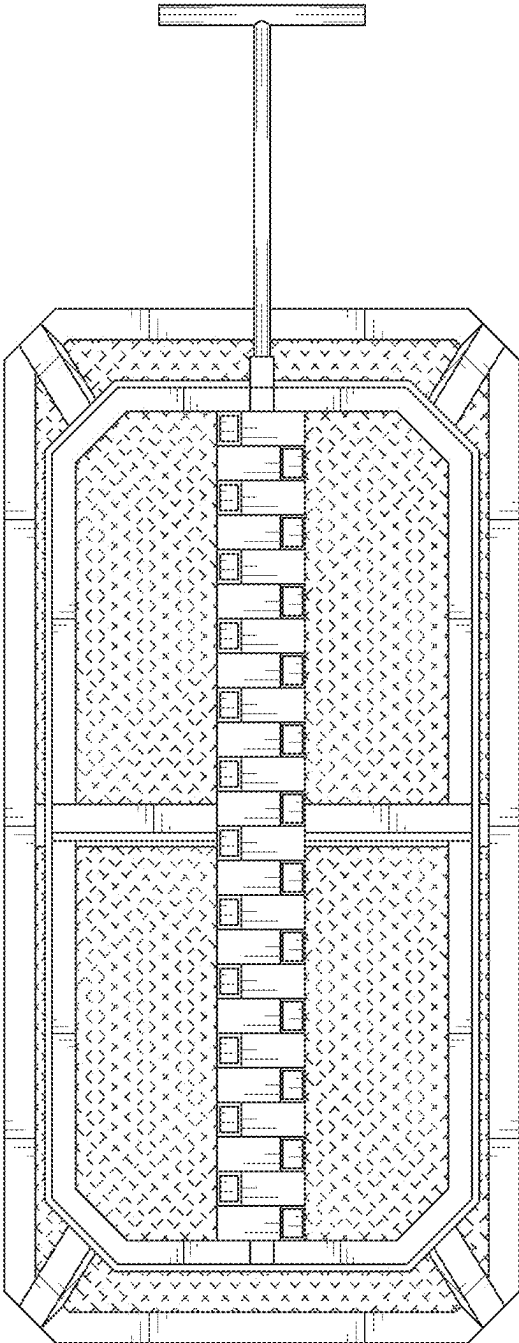


FIG. 6

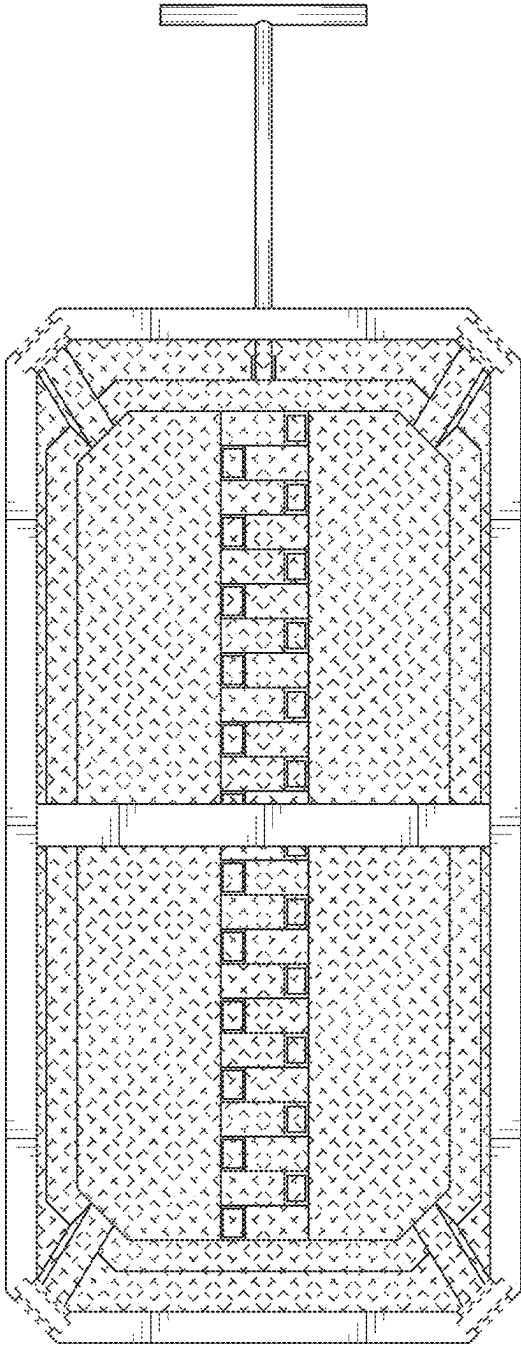


FIG. 7