



US0D1080149S

(12) **United States Design Patent**  
**Stirgus**

(10) **Patent No.:** **US D1,080,149 S**

(45) **Date of Patent:** **\*\* Jun. 24, 2025**

(54) **HAIR COVERING FOR PROTECTING HAIR AND HAIRSTYLE**

FOREIGN PATENT DOCUMENTS

(71) Applicant: **Taeesha M Stirgus**, Joliet, IL (US)

CN 307144780 \* 11/2021  
JP D1755672 \* 1/2023

(72) Inventor: **Taeesha M Stirgus**, Joliet, IL (US)

OTHER PUBLICATIONS

(\*\*) Term: **15 Years**

[No-Slip Scarf Headband ], available on culturehijab.com, 2024 [online], [site visited Jun. 13, 2024], Internet URL: <https://culturehijab.com/products/no-slip-scarf-headband-black> (Year: 2024).\*

(21) Appl. No.: **29/836,239**

(Continued)

(22) Filed: **Apr. 25, 2022**

*Primary Examiner* — Jennifer L Rempfer

(51) **LOC (15) Cl.** ..... **02-03**

*Assistant Examiner* — Adrienne Corna

(52) **U.S. Cl.**

(74) *Attorney, Agent, or Firm* — Barry Choobin; Patent 360

USPC ..... **D2/867**; D2/878; D2/880; D2/881

(58) **Field of Classification Search**

(57) **CLAIM**

USPC ..... D2/880, 865, 866, 867, 871, 874, 883, D2/884, 885, 886, 887, 888

The ornamental design for a hair covering for protecting hair and hairstyle, as shown and described.

CPC ..... A42B 1/04; A42B 1/041; A42B 1/049; A42B 1/201; A42B 1/22; A42B 1/225

**DESCRIPTION**

See application file for complete search history.

FIG. 1 is a perspective view of a hair covering for protecting hair and hairstyle, showing my new design;

(56) **References Cited**

U.S. PATENT DOCUMENTS

1,720,560	A *	7/1929	Lipper	.....	A42B 1/041
					2/195.8
5,694,648	A *	12/1997	Nucifora	.....	A42B 1/0186
					2/172
D429,407	S *	8/2000	Thaw	.....	D2/878
D526,471	S *	8/2006	Cashin	.....	D2/866
D617,980	S *	6/2010	Guinyard	.....	D2/880
D785,294	S *	5/2017	Sanders	.....	D2/881
D792,682	S *	7/2017	Diamond	.....	D2/880
D837,490	S *	1/2019	Pittman	.....	D2/881
D892,455	S *	8/2020	Johnson	.....	D2/880
D902,534	S *	11/2020	Stumph	.....	D2/880
11,076,650	B2 *	8/2021	Tussey	.....	A42B 1/22
D999,450	S *	9/2023	Medina	.....	D28/41
D1,000,753	S *	10/2023	Xu	.....	D2/880
2023/0389638	A1 *	12/2023	Gallant	.....	A42B 1/241

FIG. 2 is a front view thereof;  
FIG. 3 is a rear view thereof;  
FIG. 4 is a top view thereof;  
FIG. 5 is a bottom view thereof;  
FIG. 6 is a right side view thereof;  
FIG. 7 is a left side view thereof; and,  
FIG. 8 shows the hair covering for protecting hair and hairstyle worn over a head.

The broken lines on the wrapped portions of the hair covering represent claimed stitching. The additional broken lines outside the hair covering in FIG. 8 illustrate the environment and form no part of the claimed design. Hooks shown by broken lines in FIGS. 1 and 2 are disclaimed and form no part of the claimed design.

**1 Claim, 7 Drawing Sheets**



(56)

**References Cited**

OTHER PUBLICATIONS

[Kim Cotton Head Wrap—Modest Fashion Mall], available on modest-fashion-mall.com, 2024 Online [site visited Jun. 13, 2024], Internet URL: <https://www.modest-fashion-mall.com/products/kim-cotton-head-wrap> (Year: 2024).\*

\* cited by examiner



FIG. 1

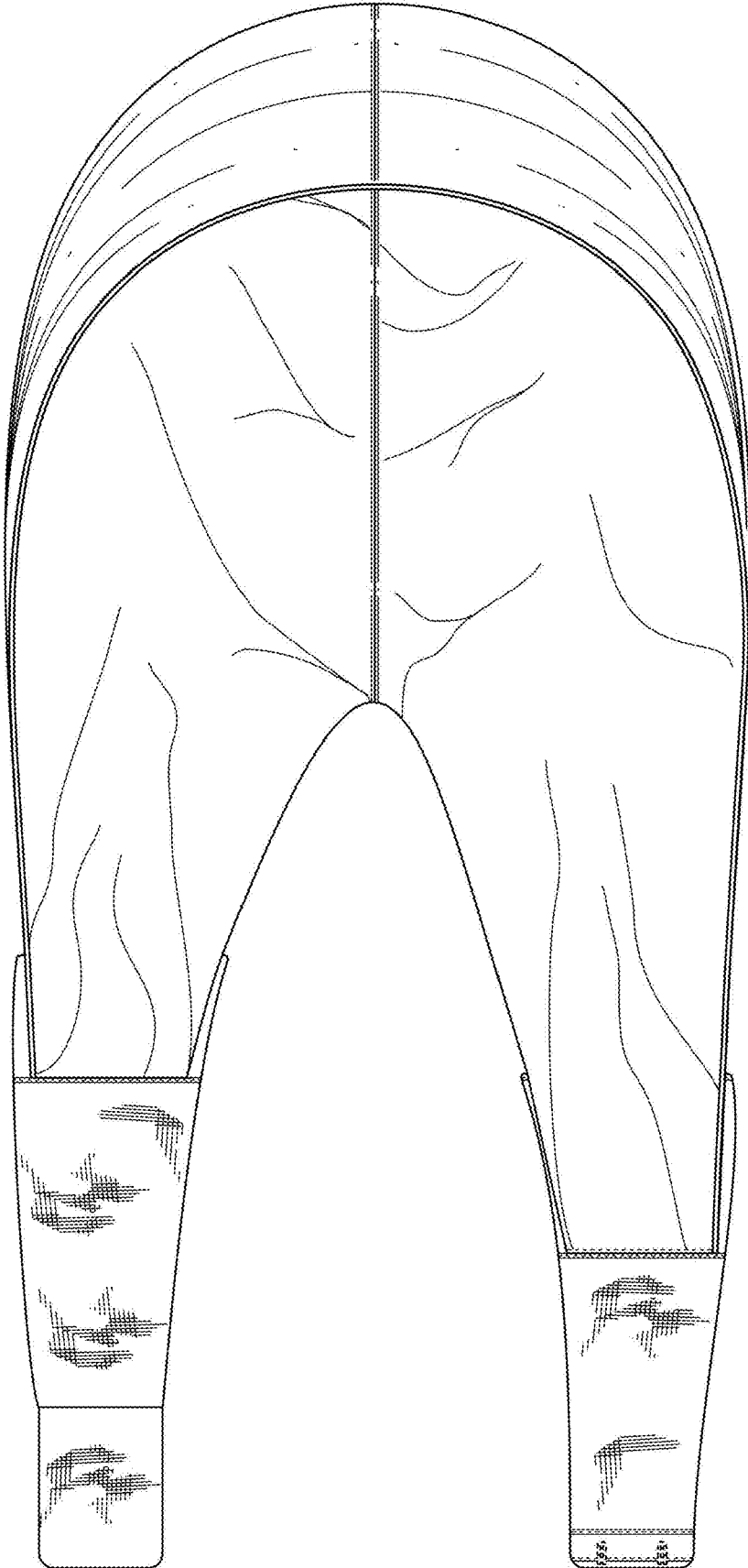


FIG. 2

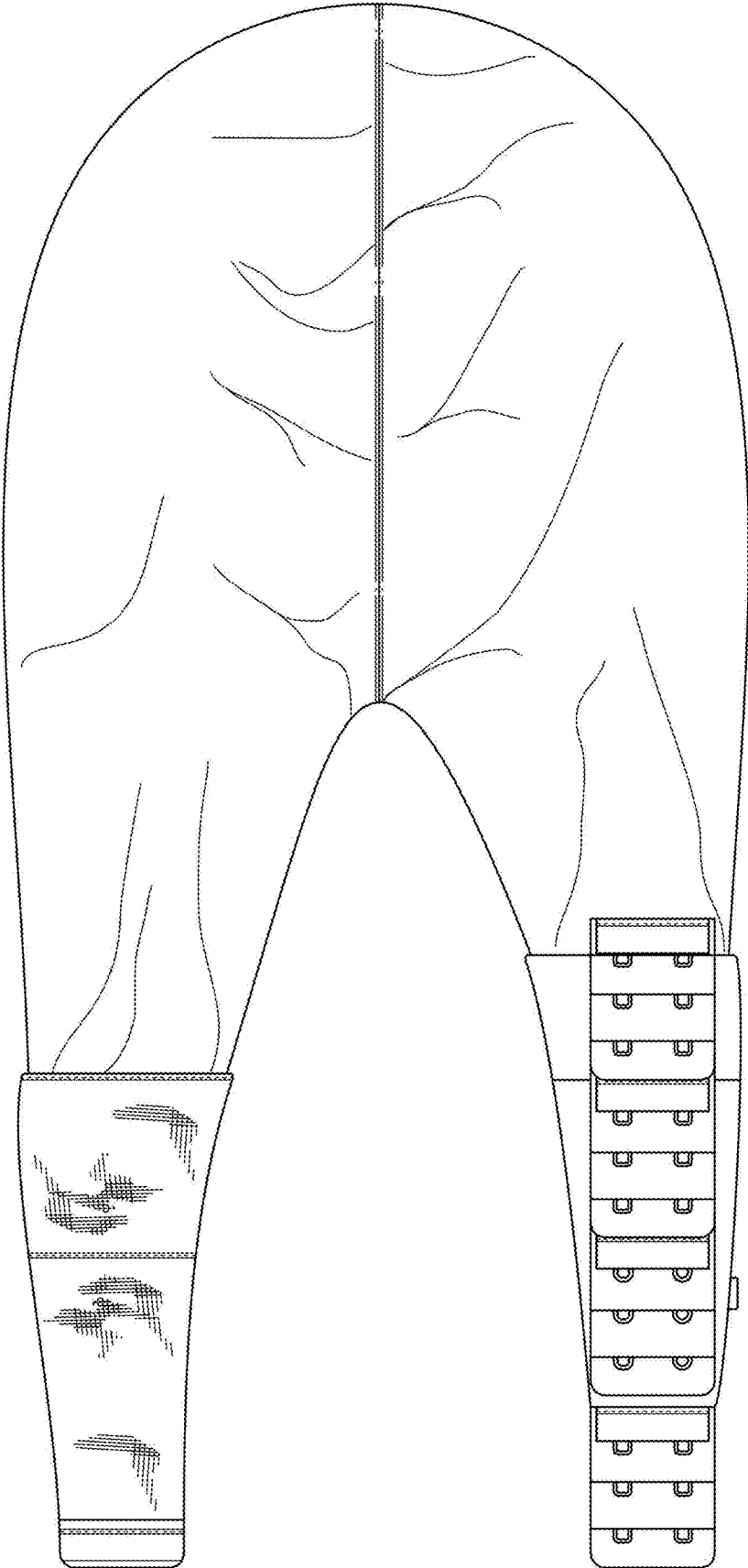


FIG. 3

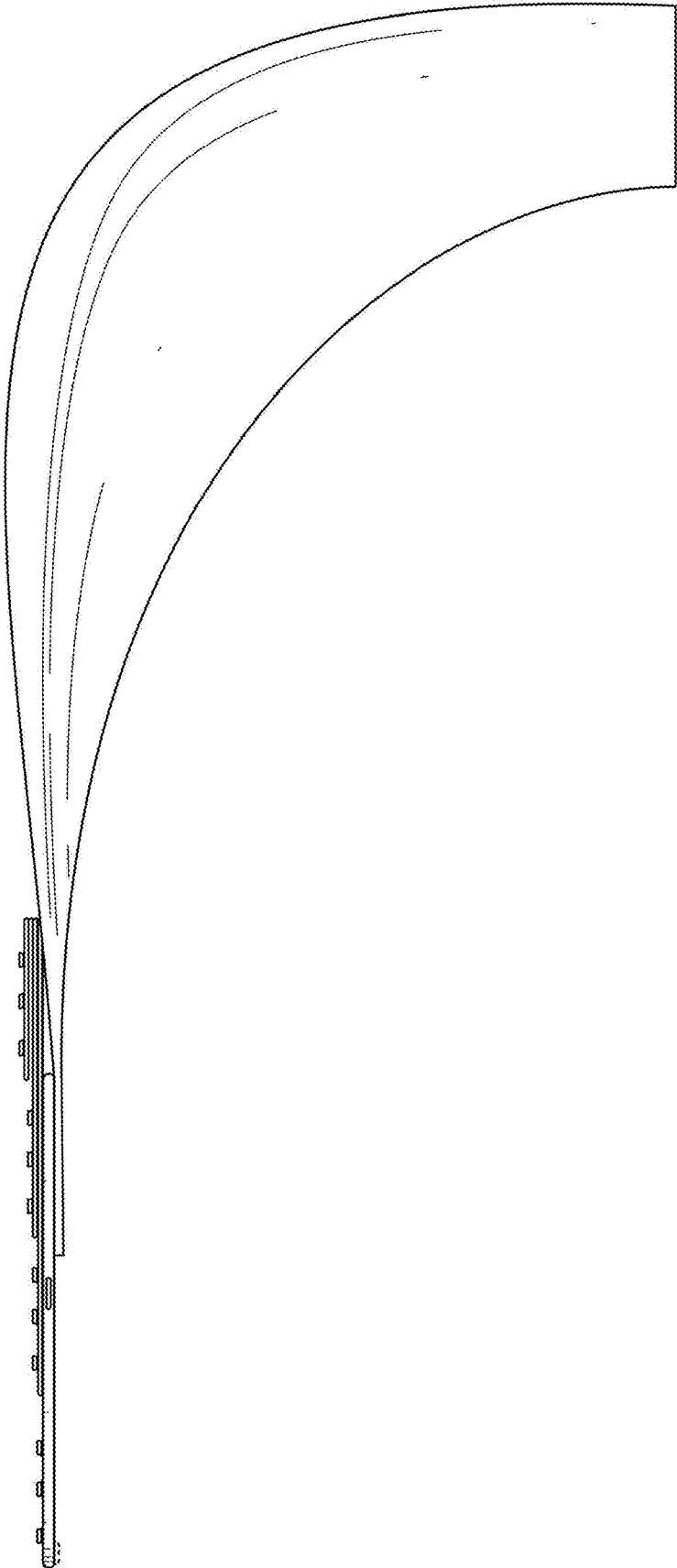


FIG. 4

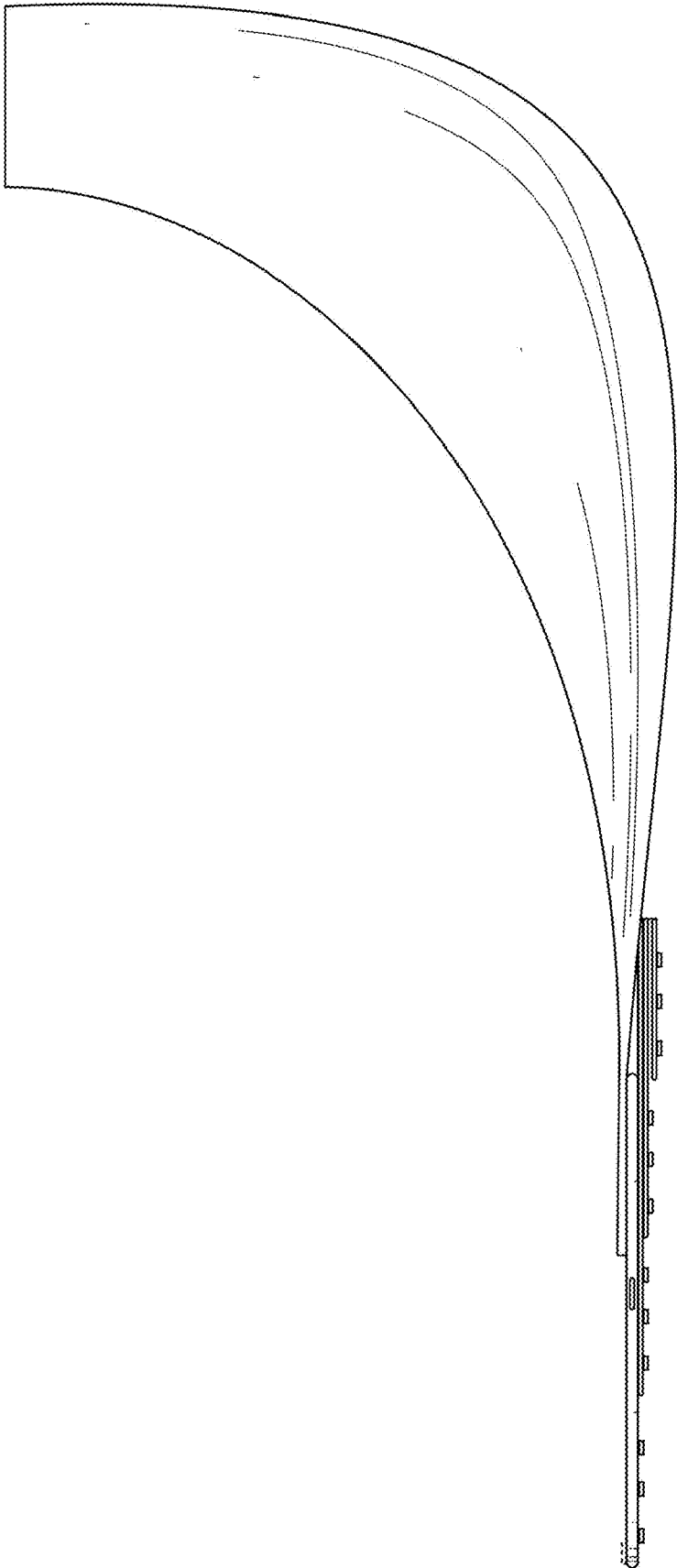


FIG. 5

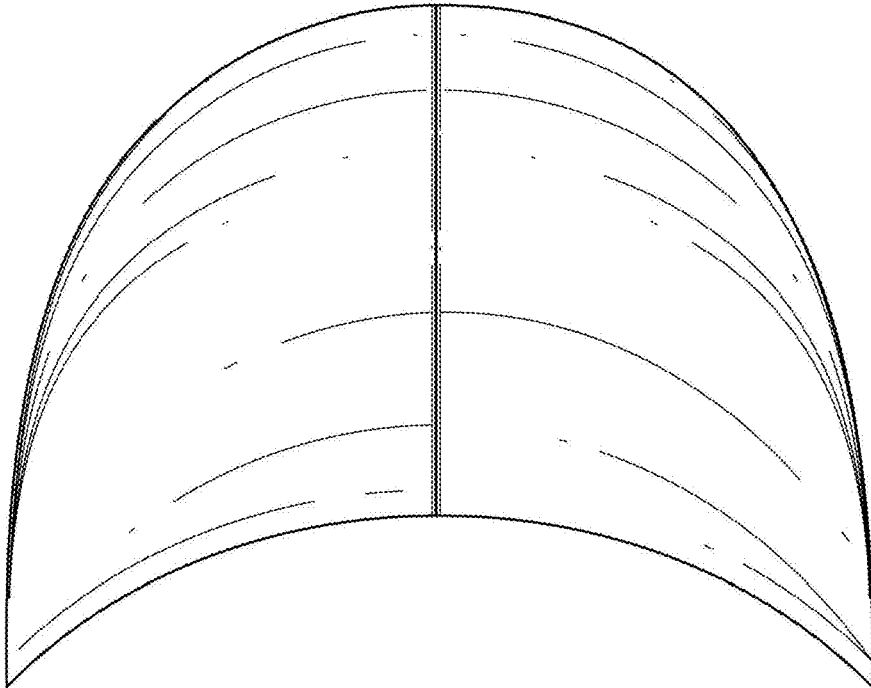


FIG. 6

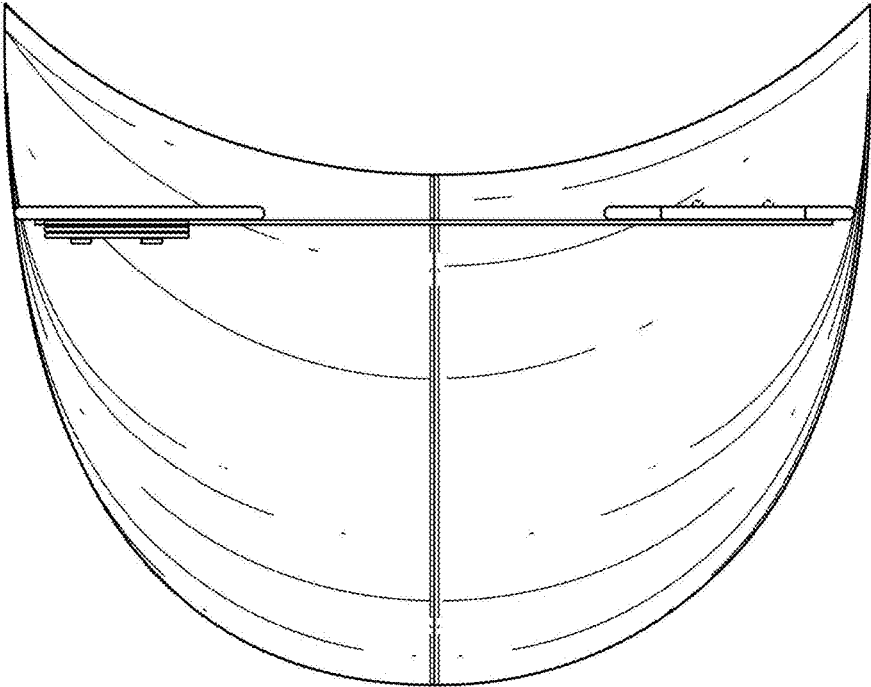


FIG. 7

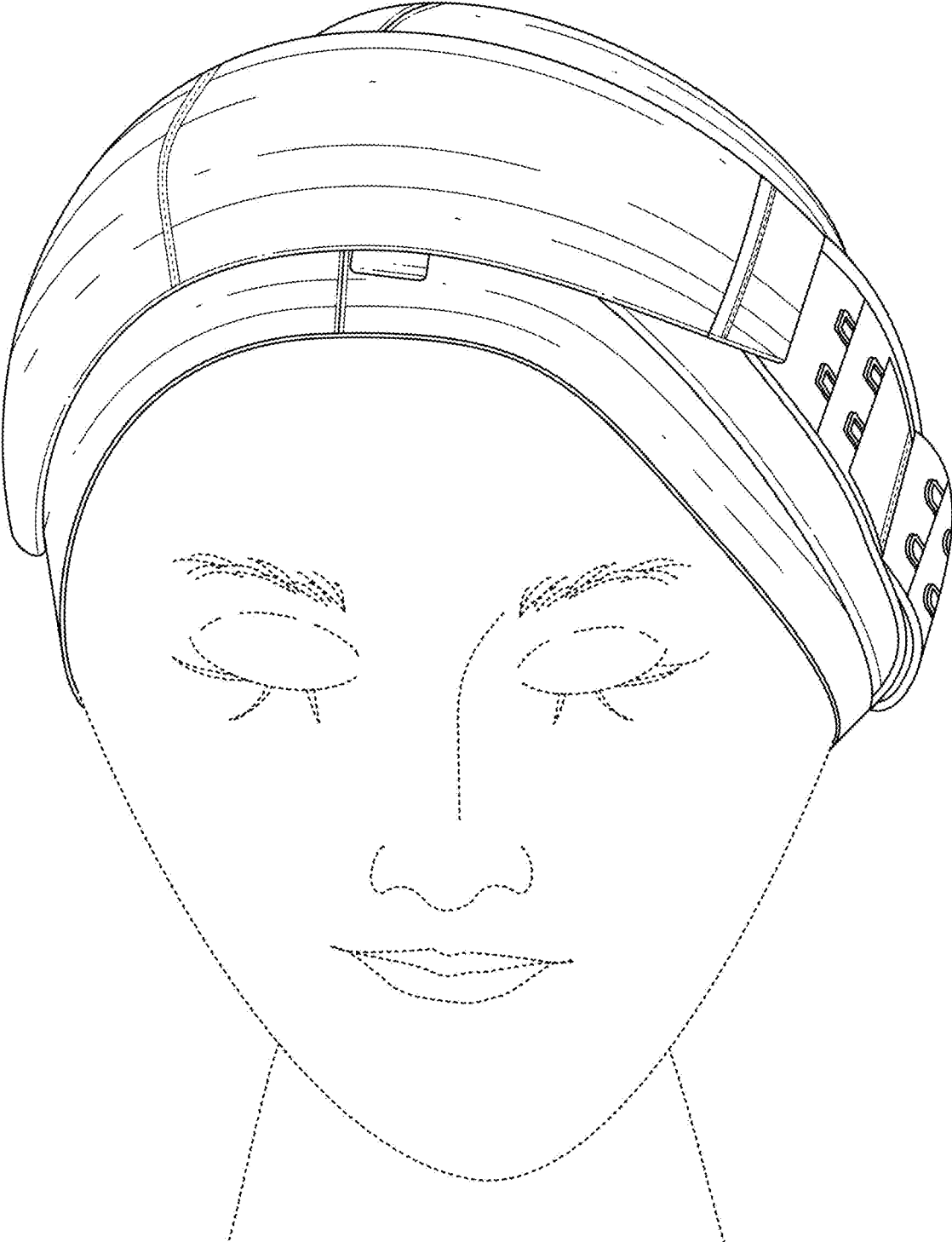


FIG. 8