



US0D1078446S

(12) **United States Design Patent**  
**Wolfe**

(10) **Patent No.:** **US D1,078,446 S**

(45) **Date of Patent:** **\*\* Jun. 10, 2025**

- (54) **PUMP HOSE STATION**
- (71) Applicant: **Paul Wolfe**, Bridgeport, TX (US)
- (72) Inventor: **Paul Wolfe**, Bridgeport, TX (US)
- (\*\*) Term: **15 Years**
- (21) Appl. No.: **29/846,599**
- (22) Filed: **Jul. 18, 2022**
- (51) **LOC (15) Cl.** ..... **09-06**
- (52) **U.S. Cl.**  
USPC ..... **D8/356**
- (58) **Field of Classification Search**  
USPC .. D8/64, 363, 367-372, 356-357, 354, 323;  
D15/199, 28  
CPC ..... B25H 3/00; B64G 1/02; A47F 7/00; A47F  
81/00; A47F 47/00  
See application file for complete search history.

- D1,010,702 S \* 1/2024 Jiang ..... D15/199
- D1,017,647 S \* 3/2024 Brames ..... D15/28
- 2017/0020283 A1\* 1/2017 Hokanson ..... A47B 81/00
- 2023/0074742 A1\* 3/2023 Latvala ..... B66F 9/18

**OTHER PUBLICATIONS**

Pump Hose Station 599, facebook, Apr. 7, 2020, <https://www.facebook.com/wolfeweldingfab/photos> (Year: 2020).\*

Pump Hose Station 800, facebook, May 8, 2017, <https://www.facebook.com/wolfeweldingfab/photos> (Year: 2017).\*

\* cited by examiner

*Primary Examiner* — Andrew Kerr  
*Assistant Examiner* — Elizabeth Sun Ko  
 (74) *Attorney, Agent, or Firm* — Barry Choobin; Patent 360

(57) **CLAIM**

The ornamental design for a pump hose station, as shown and described.

(56) **References Cited**

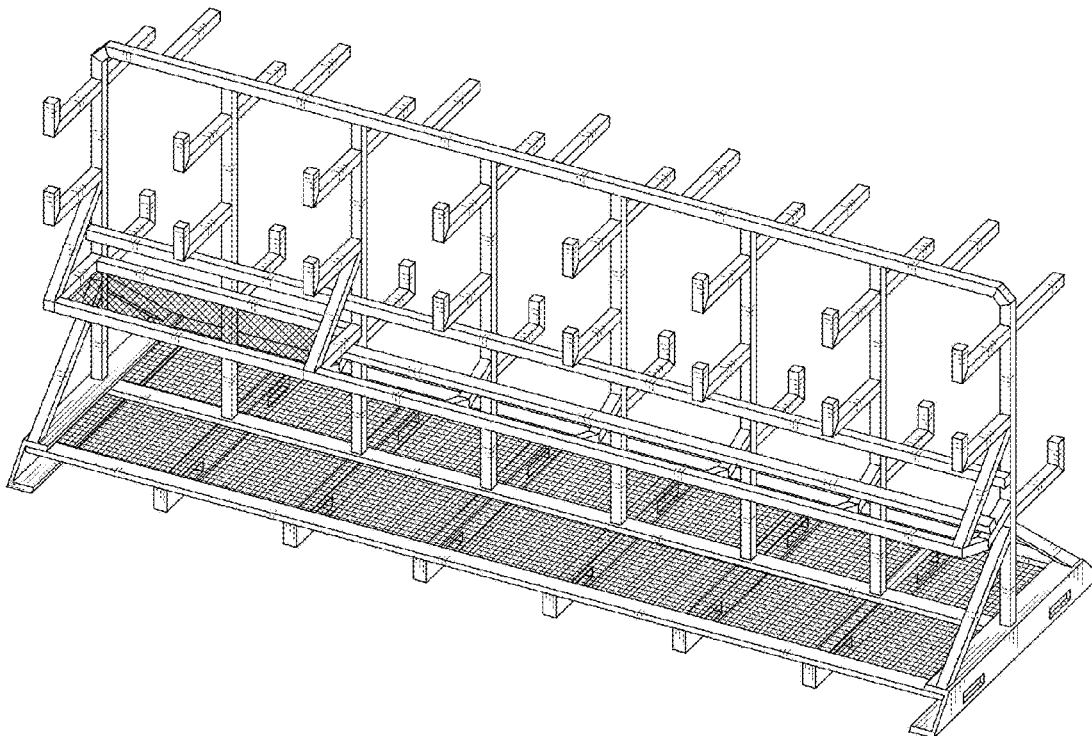
**U.S. PATENT DOCUMENTS**

- D285,204 S \* 8/1986 Glancy ..... D15/28
- D330,471 S \* 10/1992 Rogers ..... D15/199
- D438,413 S \* 3/2001 Hawkins ..... D6/513
- 8,210,374 B2\* 7/2012 Harpole ..... B65D 19/12  
211/195
- D732,788 S \* 6/2015 Drummond ..... D34/33
- D781,080 S \* 3/2017 Jordan ..... D6/675.1
- D784,052 S \* 4/2017 Rodriguez ..... D6/675.2
- D830,090 S \* 10/2018 Eteläaho ..... D6/681.2
- D918,274 S \* 5/2021 Hokanson ..... D15/138
- D1,004,633 S \* 11/2023 Wolfe ..... D15/28
- D1,005,005 S \* 11/2023 Yang ..... D6/552

**DESCRIPTION**

FIG. 1 is a perspective view of a pump hose station, showing my new design;  
 FIG. 2 is a front view thereof;  
 FIG. 3 is a rear view thereof;  
 FIG. 4 is a top view thereof;  
 FIG. 5 is a bottom view thereof;  
 FIG. 6 is a right side view thereof; and,  
 FIG. 7 is a left side view thereof.

**1 Claim, 6 Drawing Sheets**



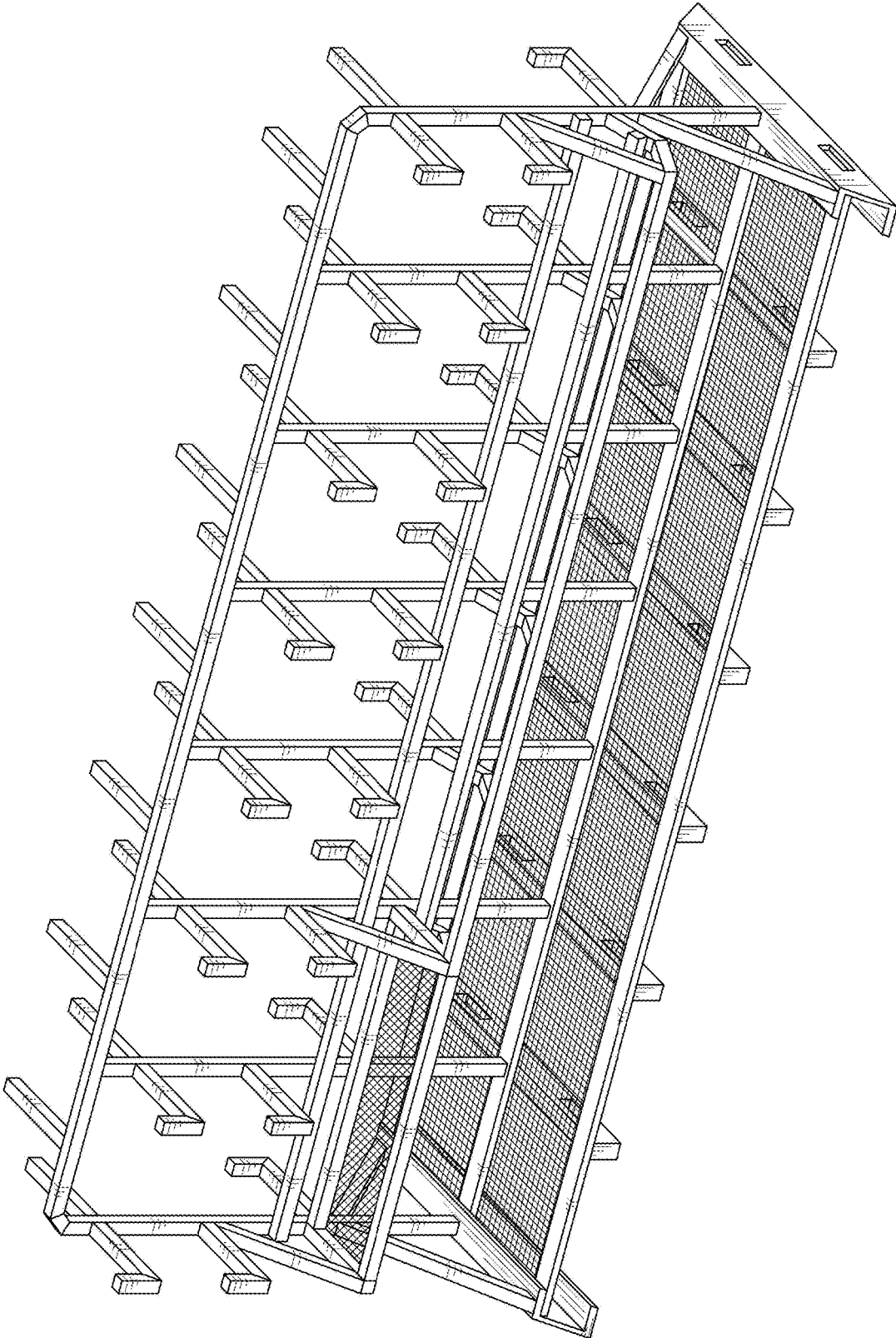


FIG. 1

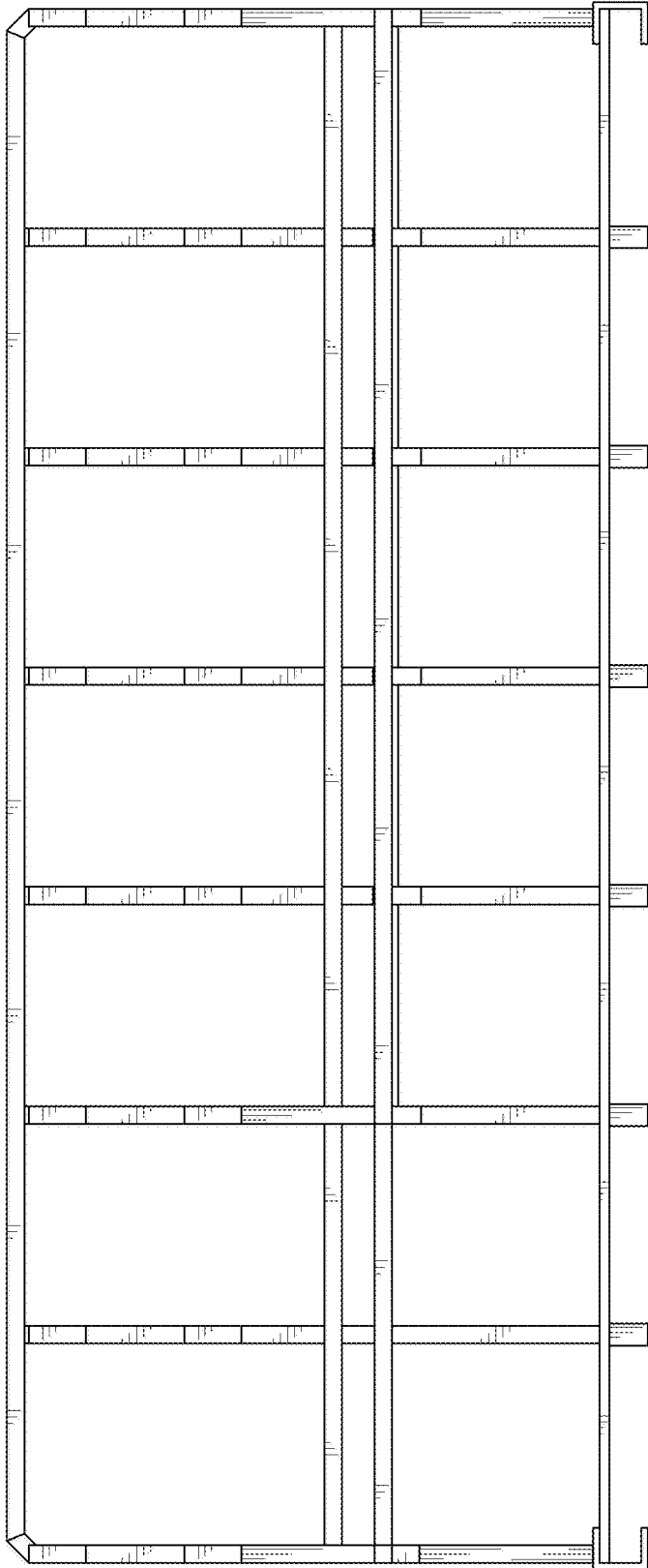


FIG. 2

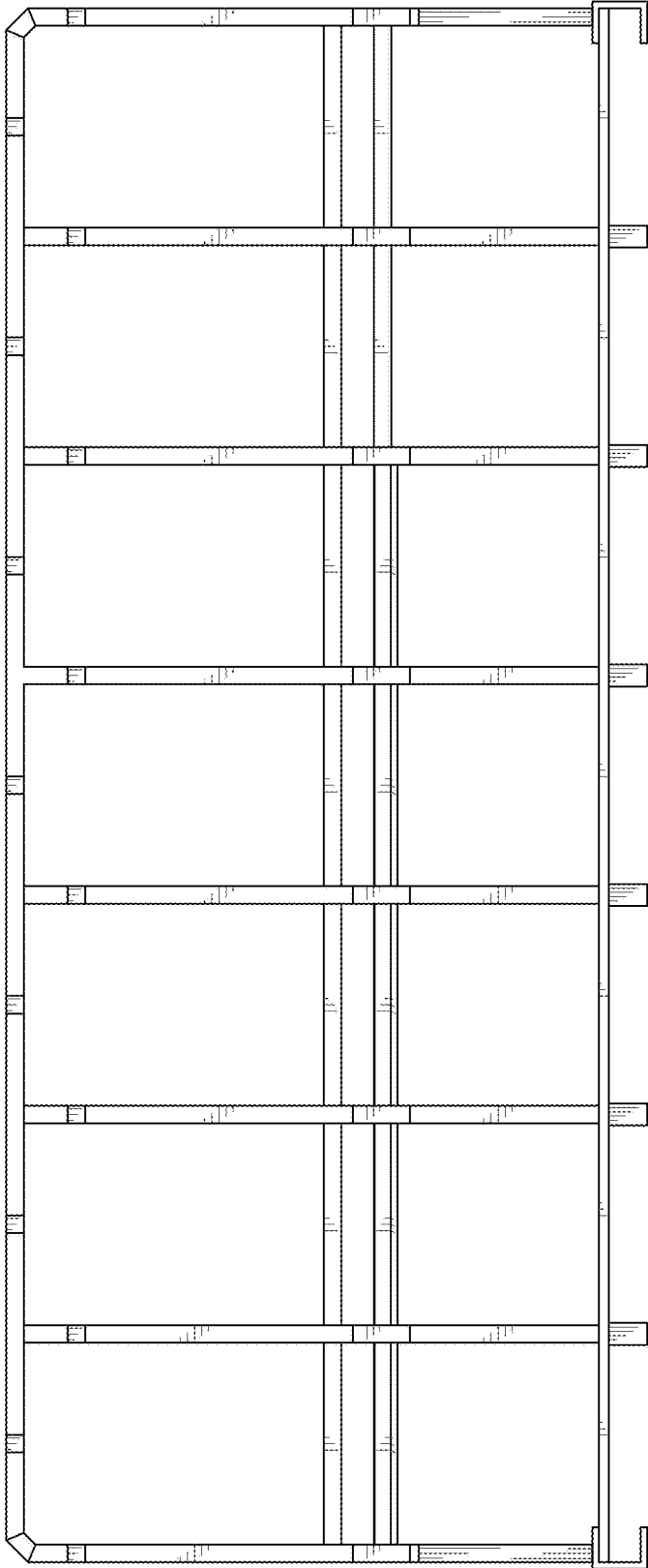


FIG. 3

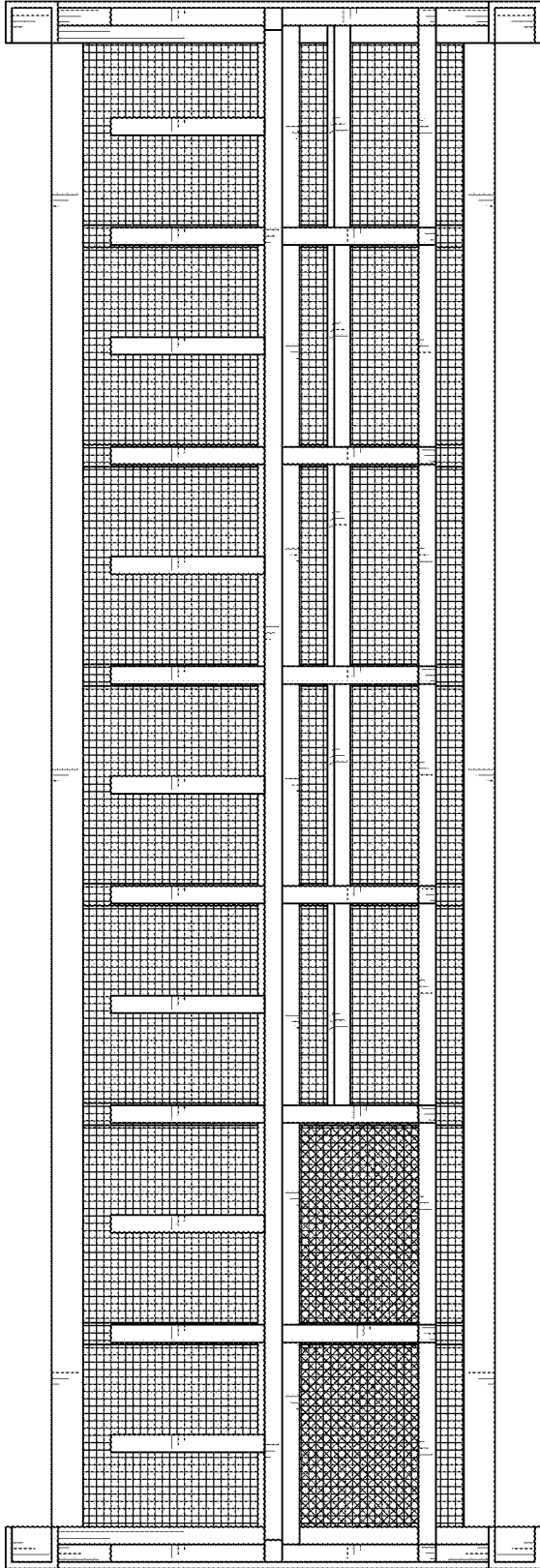


FIG. 4

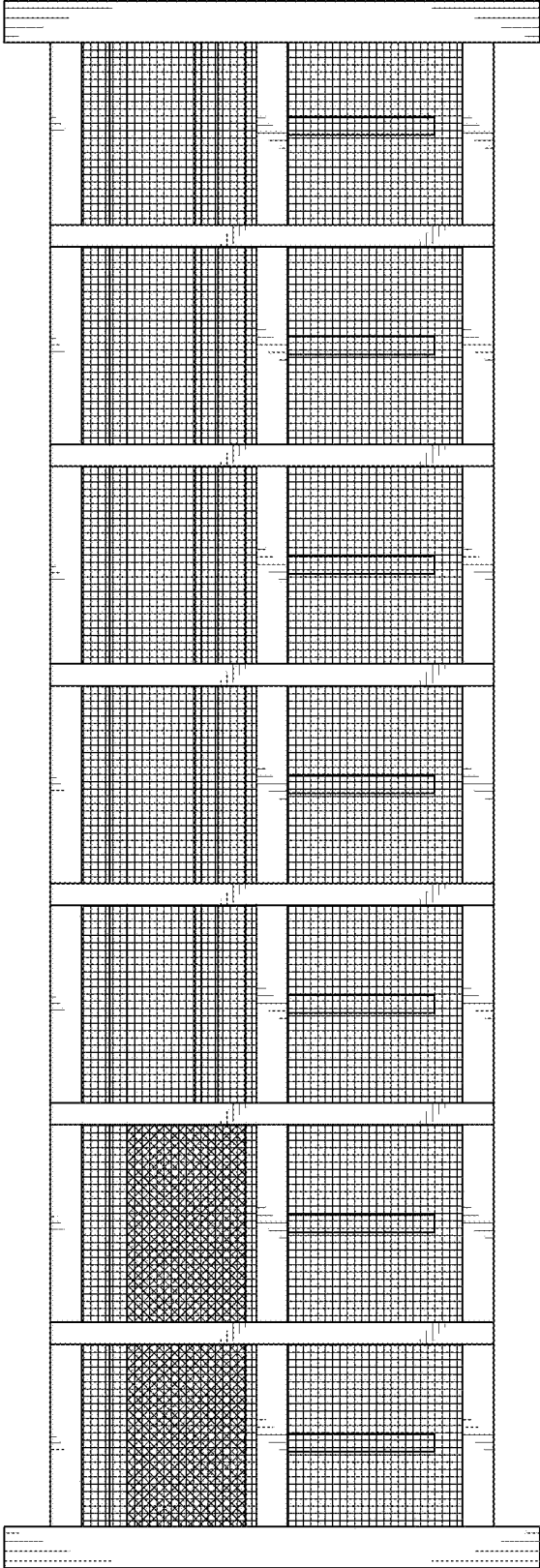


FIG. 5

