



US0D1070352S

(12) **United States Design Patent**
Gordon

(10) **Patent No.:** **US D1,070,352 S**

(45) **Date of Patent:** **** Apr. 15, 2025**

(54) **TOOLBOX ORGANIZER SET**

DESCRIPTION

(71) Applicant: **Robby Gordon**, Charlotte, NC (US)

(72) Inventor: **Robby Gordon**, Charlotte, NC (US)

(*) Notice: Patent file contains an affidavit/declaration under 37 CFR 1.130(b).

(**) Term: **15 Years**

(21) Appl. No.: **29/798,693**

(22) Filed: **Jul. 9, 2021**

(51) **LOC (15) Cl.** **03-01**

(52) **U.S. Cl.**
USPC **D3/319; D3/905**

(58) **Field of Classification Search**
USPC D3/273, 275, 276, 282, 284, 294, 302, D3/905, 901, 315, 281, 274, 319, 318
(Continued)

FIG. 1 is a top perspective view of the toolbox organizer set shown within an exemplary toolbox, with the cover shown removed;

FIG. 2 is a top exploded perspective view thereof, with the divider shown on top;

FIG. 3 is a perspective view of the first organizer shown in FIG. 2;

FIG. 4 is a front plan view thereof;

FIG. 5 is a rear plan view thereof;

FIG. 6 is a top side view thereof;

FIG. 7 is a bottom side view thereof;

FIG. 8 is a left side view thereof; and

FIG. 9 is a right side view thereof.

FIG. 10 is a perspective view of the second organizer shown in FIG. 2;

FIG. 11 is a front plan view thereof;

FIG. 12 is a rear plan view thereof;

FIG. 13 is a top side view thereof;

FIG. 14 is a bottom side view thereof;

FIG. 15 is a left side view thereof; and

FIG. 16 is a right side view thereof.

FIG. 17 is a perspective view of the third organizer shown in FIG. 2;

FIG. 18 is a front plan view thereof;

FIG. 19 is a rear plan view thereof;

FIG. 20 is a top side view thereof;

FIG. 21 is a bottom side view thereof;

FIG. 22 is a left side view thereof; and

FIG. 23 is a right side view thereof.

FIG. 24 is a perspective view of the divider shown in FIG. 2;

FIG. 25 is a front plan view thereof;

FIG. 26 is a rear plan view thereof;

FIG. 27 is a top side view thereof;

FIG. 28 is a bottom side view thereof;

FIG. 29 is a left side view thereof; and

FIG. 30 is a right side view thereof.

(56) **References Cited**

U.S. PATENT DOCUMENTS

1,263,343 A * 4/1918 Beck A47B 49/002
312/328

D369,469 S * 5/1996 Gregory D9/761
(Continued)

OTHER PUBLICATIONS

Youtube, "SPEED Tools Race Case—Unboxing", Published Nov. 24, 2020. (<https://www.youtube.com/watch?app=desktop&v=a4IOMJhHzA>) (Year: 2020).*

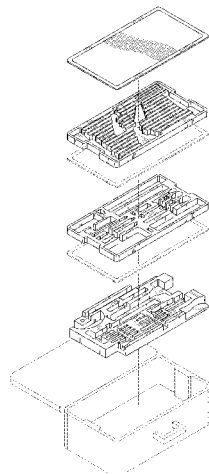
Primary Examiner — April Rivas

(74) *Attorney, Agent, or Firm* — Barry Choobin; Patent 360

(57) **CLAIM**

The ornamental design for a toolbox organizer set, as shown and described.

The broken lines illustrating a toolbox and dividers in FIGS. 1 and 2 represent an environment. The vertical lines illustrate
(Continued)



trated in FIG. 2 illustrated exploded view lead lines. None of the broken lines form part of the claimed design.

1 Claim, 18 Drawing Sheets

(58) **Field of Classification Search**

CPC B44D 3/04; A45C 11/008; B25H 3/021
See application file for complete search history.

(56) **References Cited**

U.S. PATENT DOCUMENTS

D369,678	S	*	5/1996	Hammer	D3/319
D385,108	S	*	10/1997	Tschudy	D3/319
D487,194	S	*	3/2004	Liu	D3/319
D511,632	S	*	11/2005	Lown	D3/276
D534,354	S	*	1/2007	Carbone	D3/319
D906,676	S	*	1/2021	Jirak	D3/318
D932,187	S	*	10/2021	Ye	D3/294
D945,847	S	*	3/2022	Chen	D3/319
D970,214	S	*	11/2022	Gao	D3/904
D970,215	S	*	11/2022	Gao	D3/904
D990,164	S	*	6/2023	Chen	D3/294
D990,165	S	*	6/2023	Chen	D3/294
D990,166	S	*	6/2023	Chen	D3/294
D995,114	S	*	8/2023	Chen	D3/294
D995,254	S	*	8/2023	Wang	D8/71

* cited by examiner

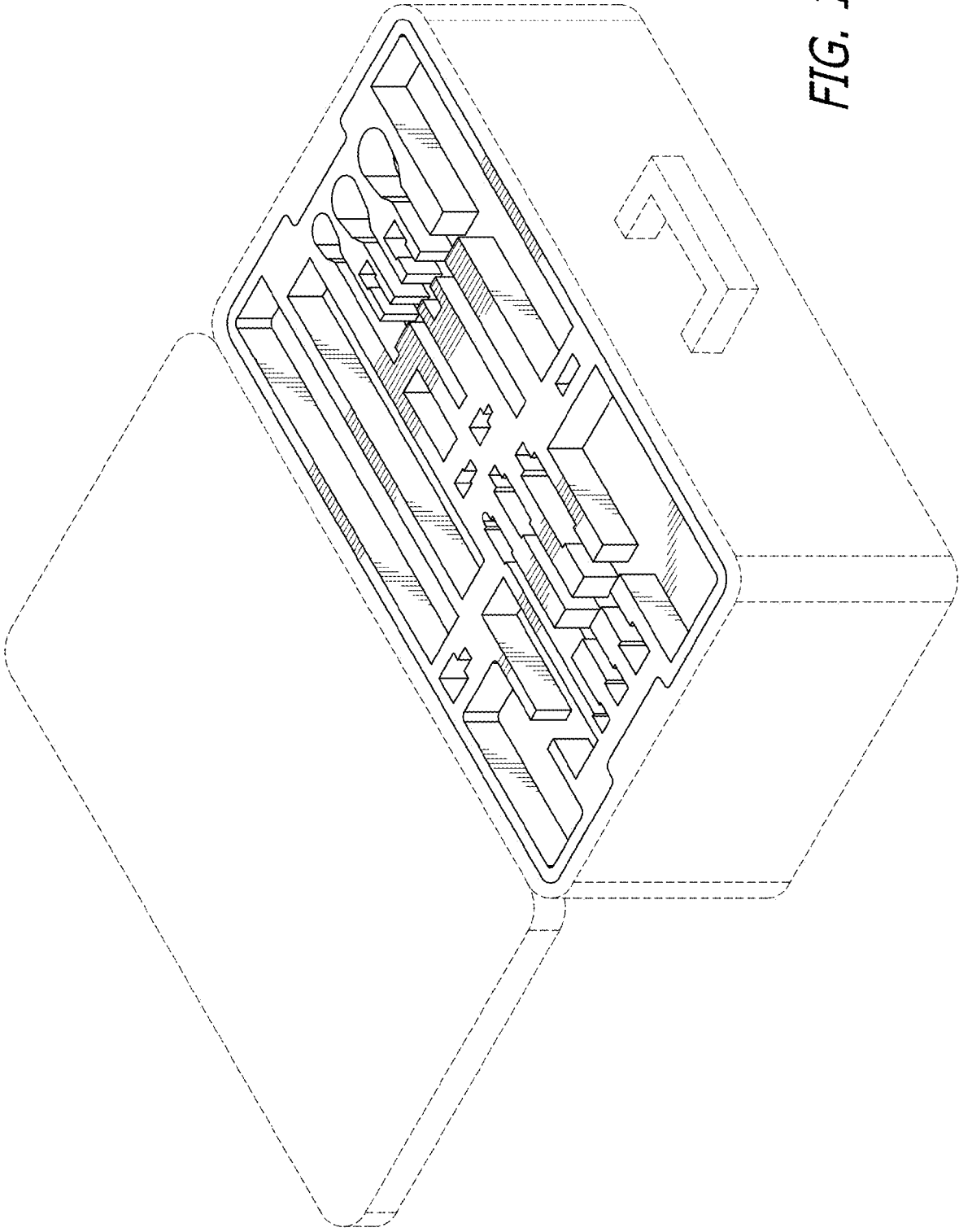
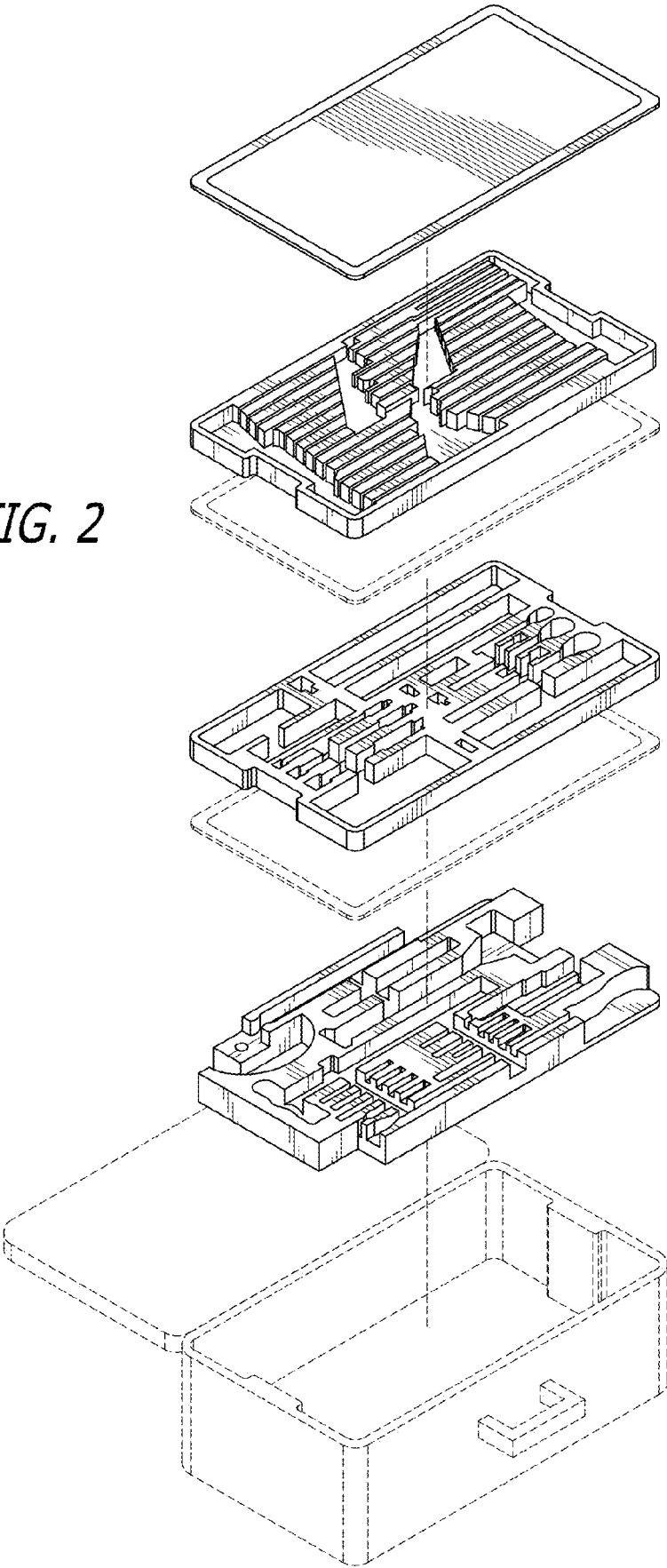


FIG. 1

FIG. 2



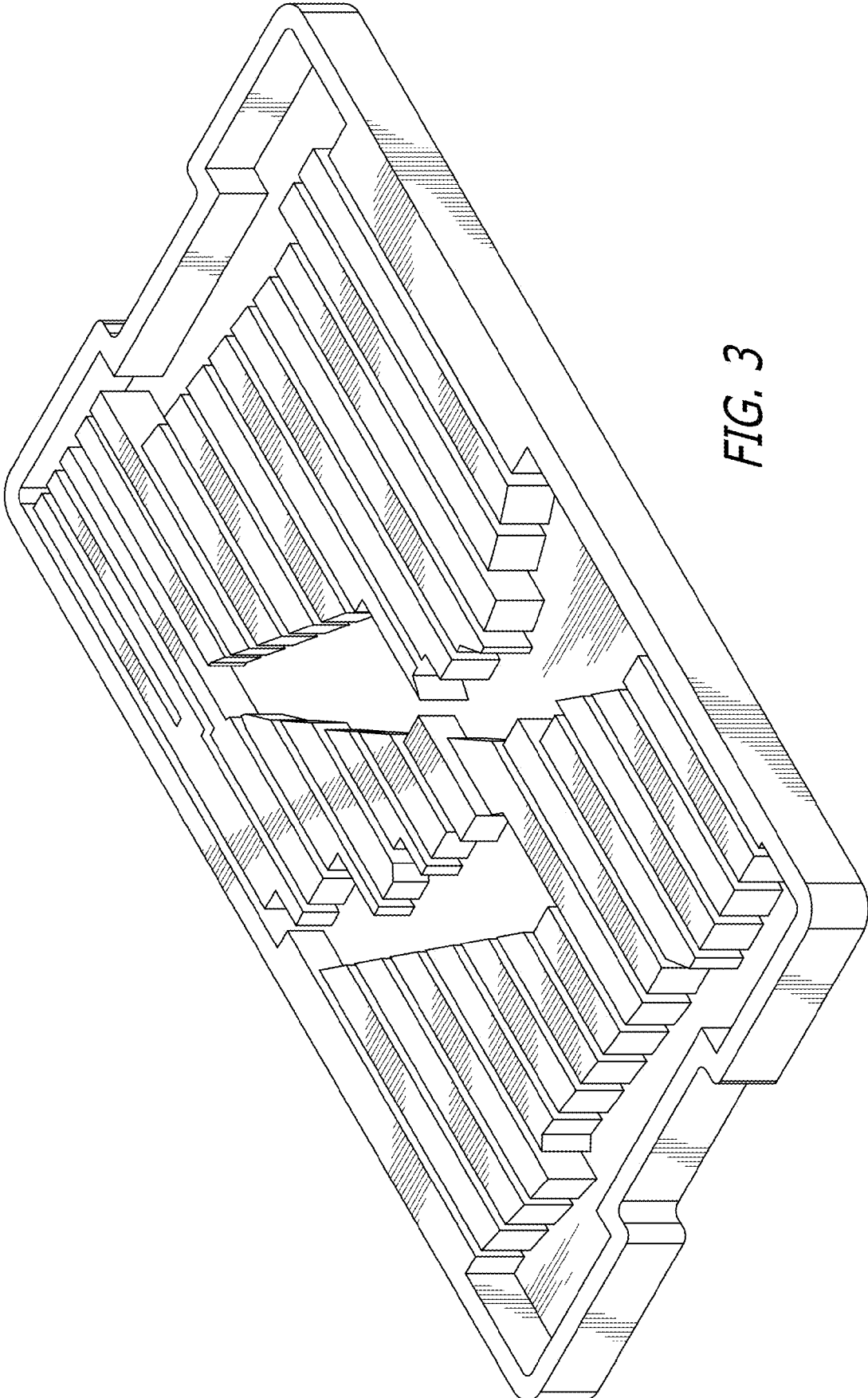


FIG. 3

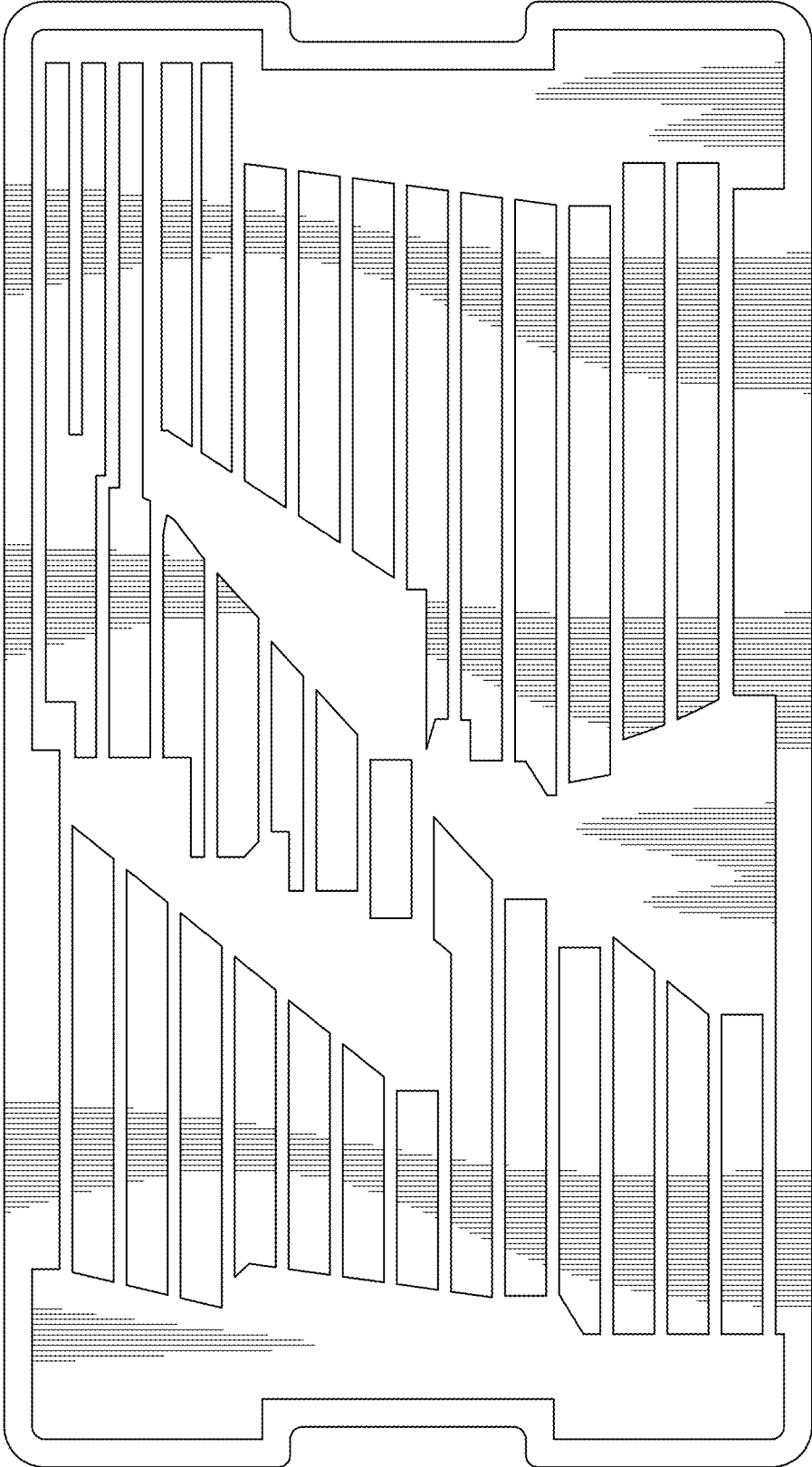


FIG. 4

FIG. 5

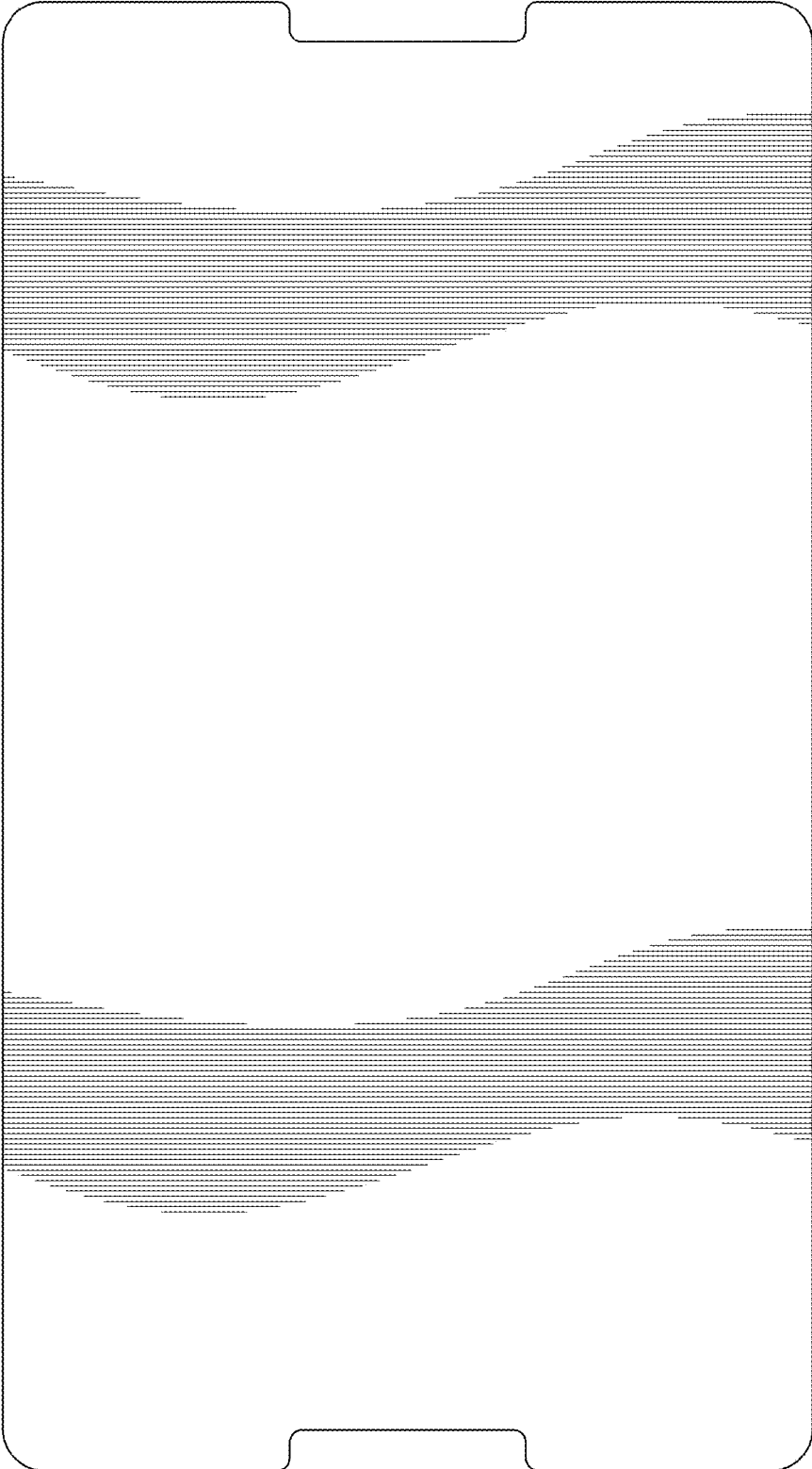
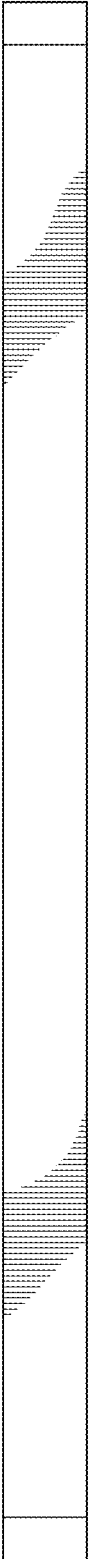


FIG. 6



FIG. 7



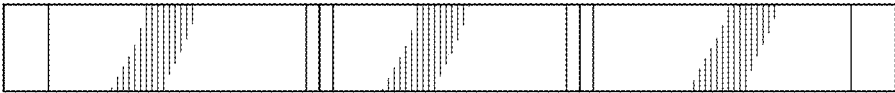


FIG. 9

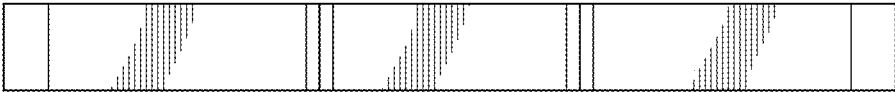


FIG. 8

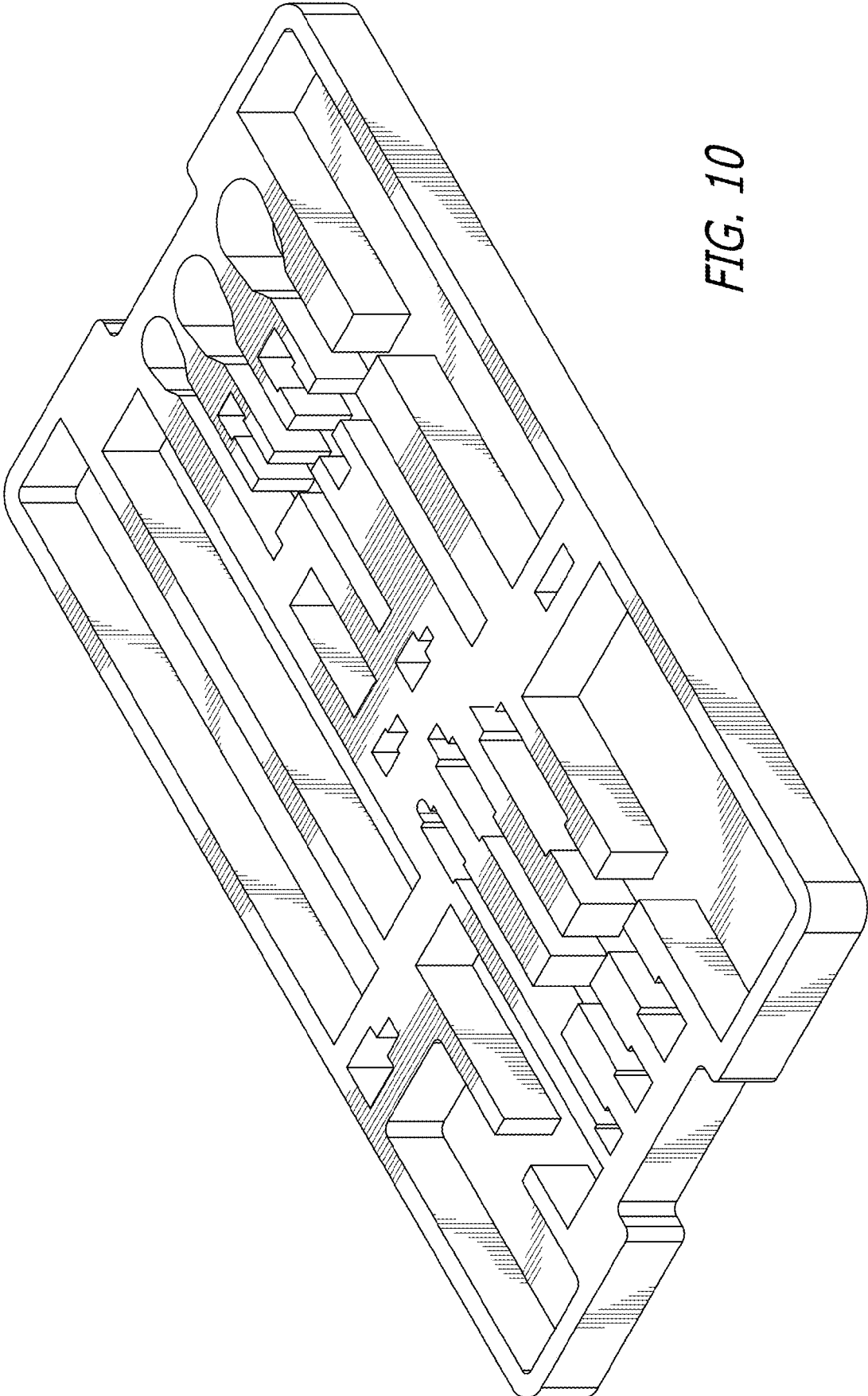


FIG. 10

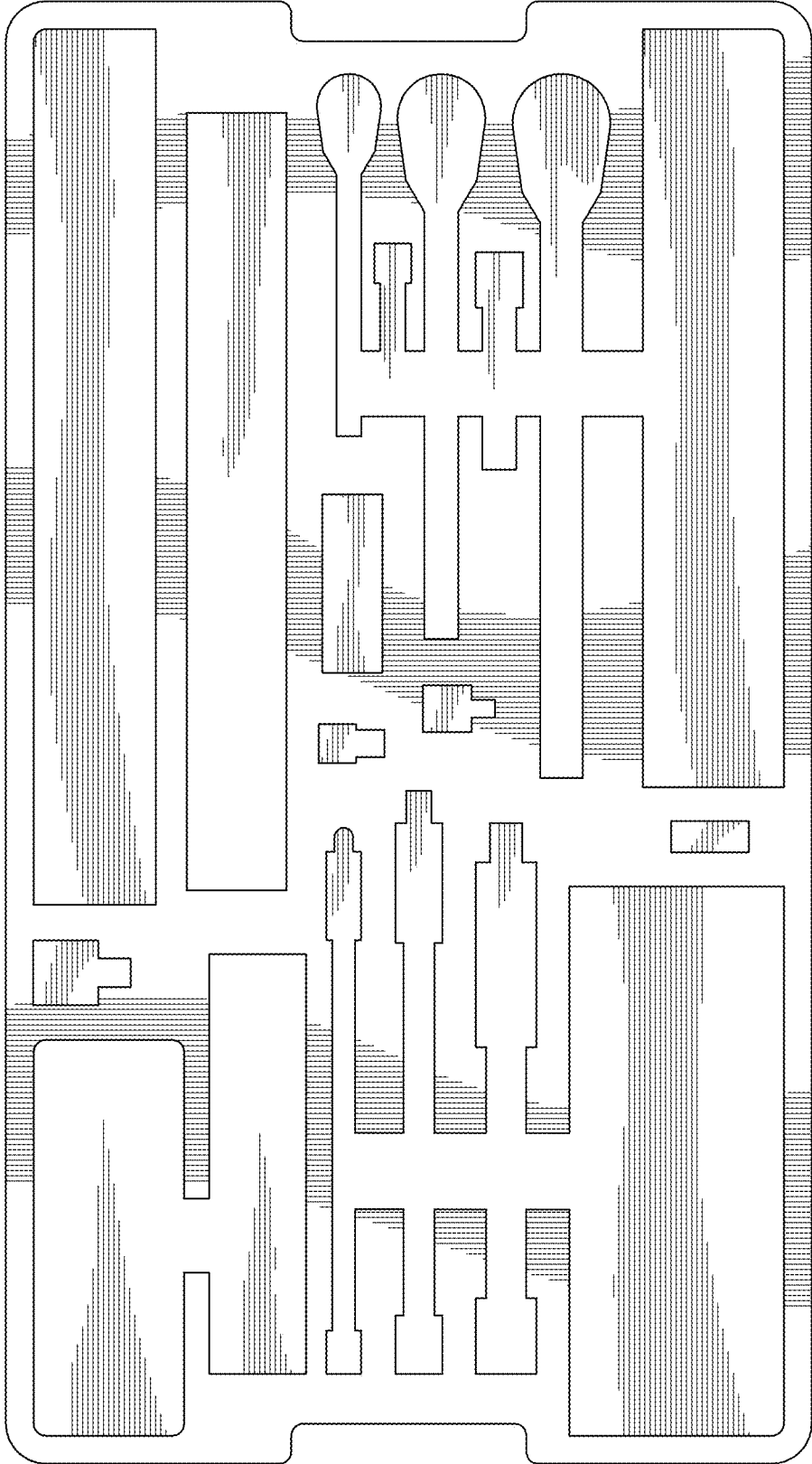


FIG. 11

FIG. 12

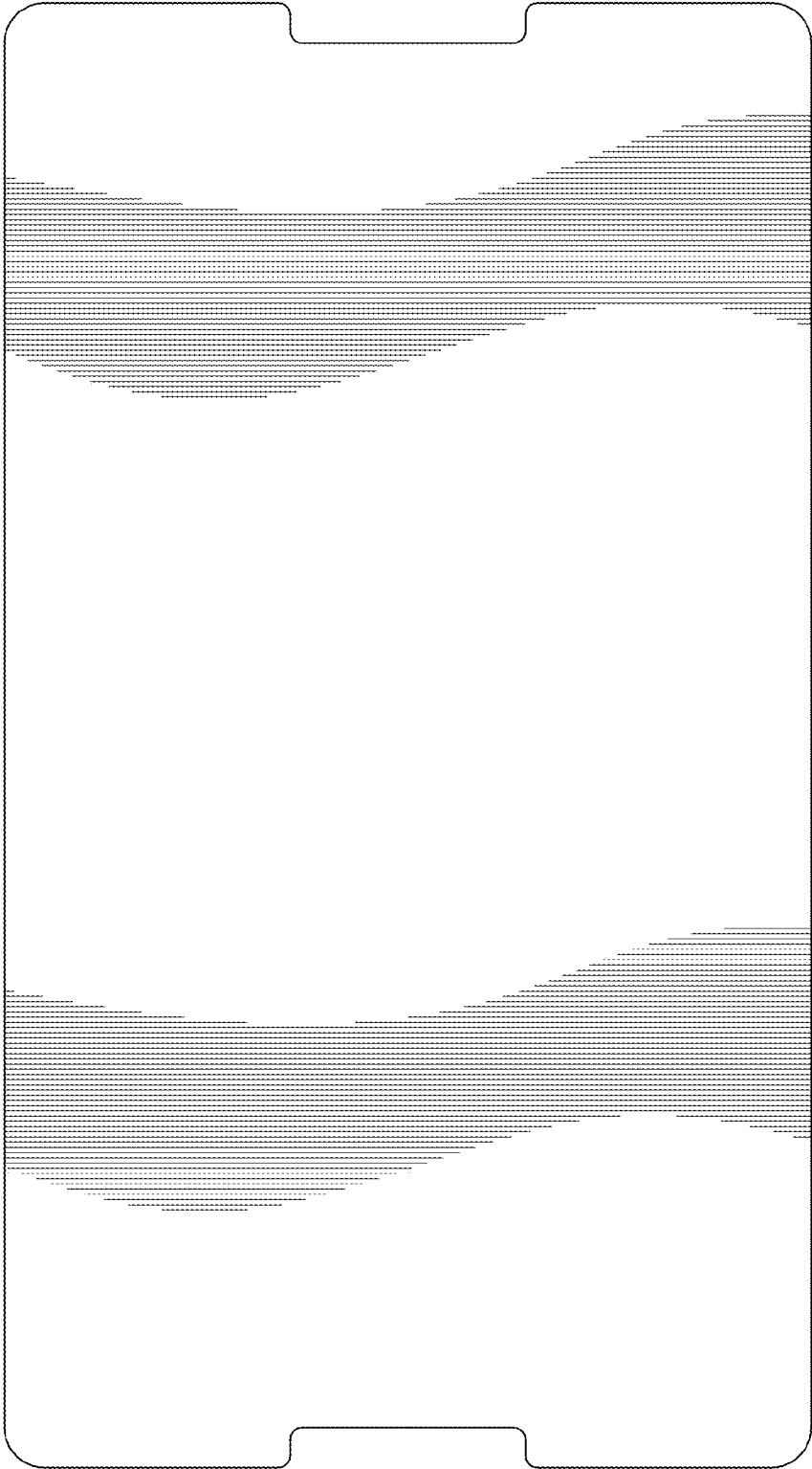


FIG. 13



FIG. 14

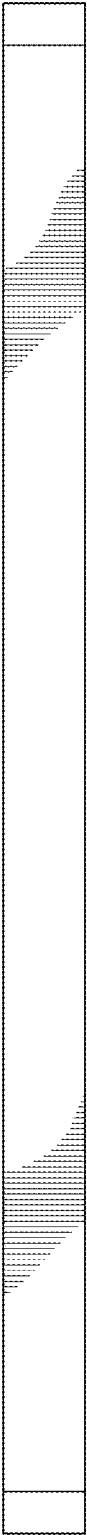




FIG. 16

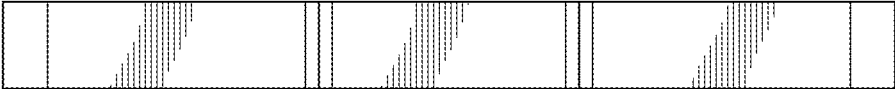


FIG. 15

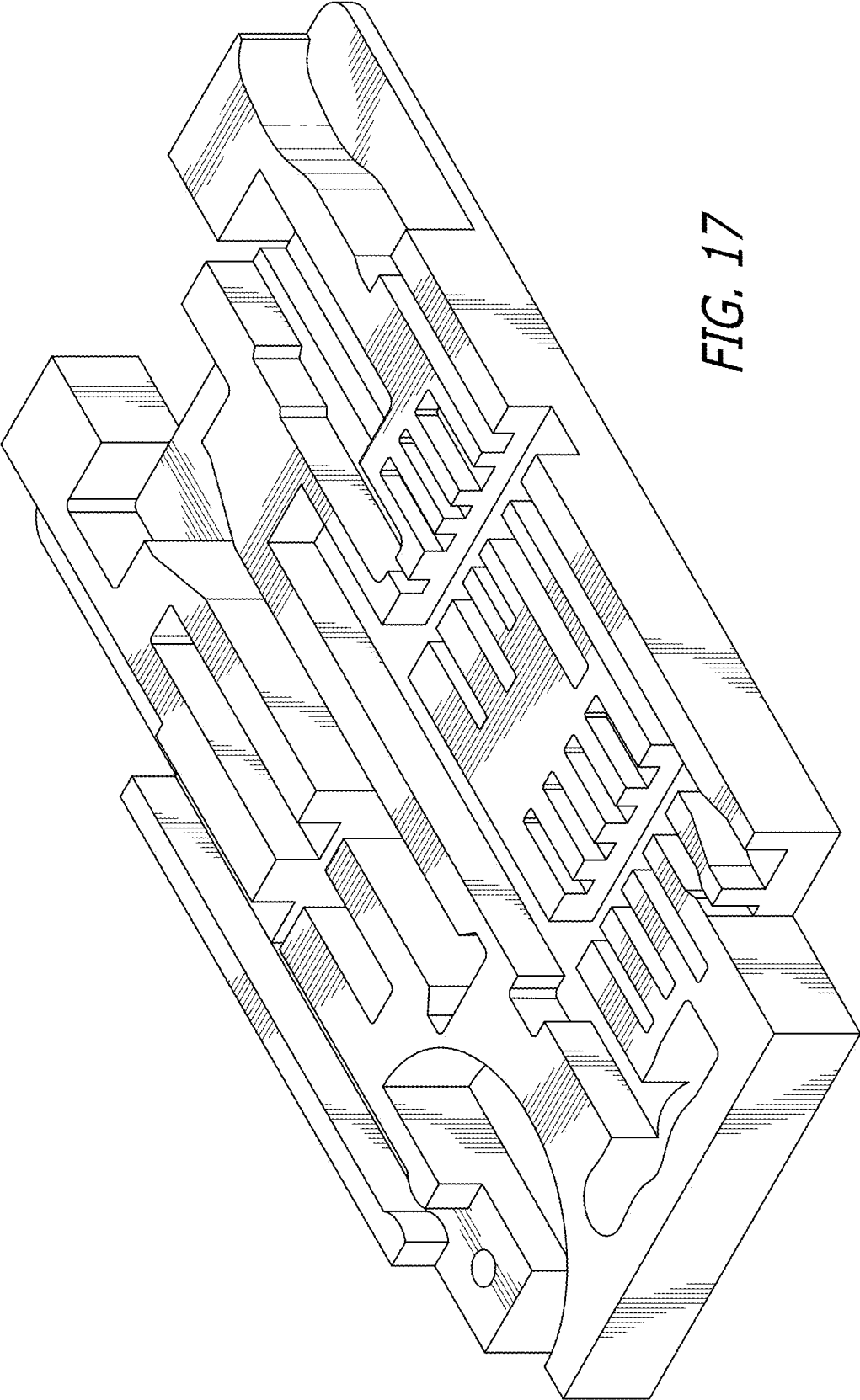


FIG. 17

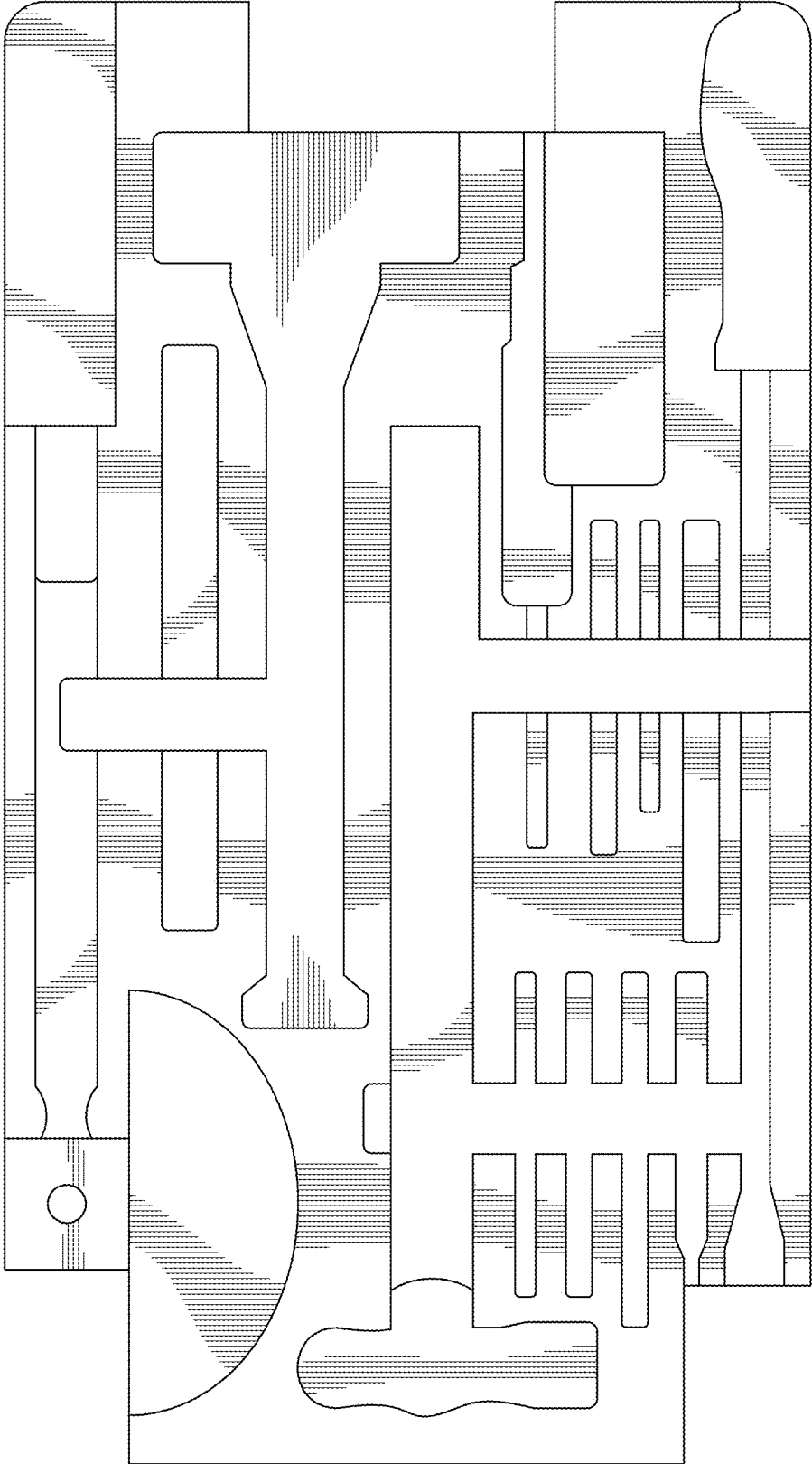


FIG. 18

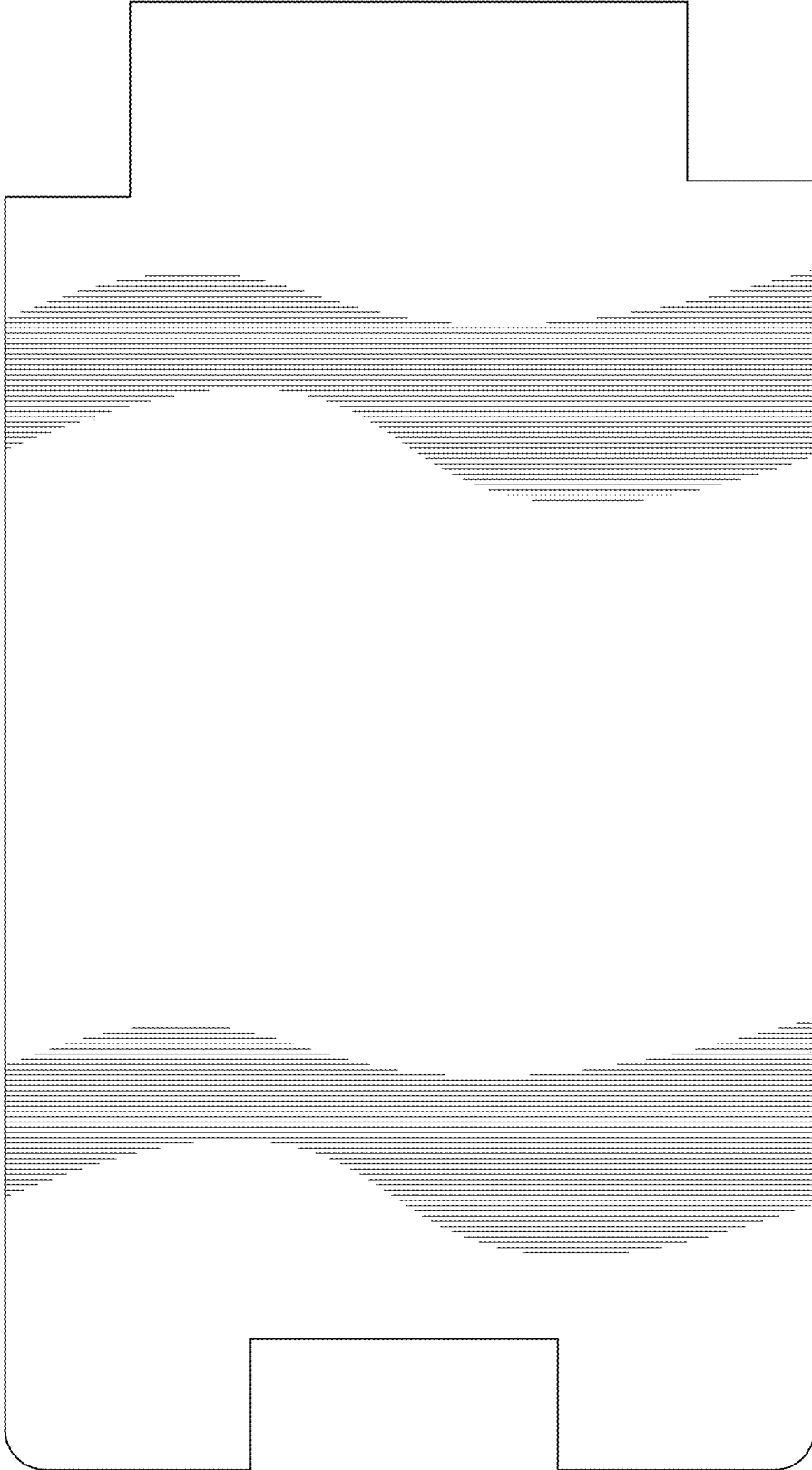


FIG. 19



FIG. 20

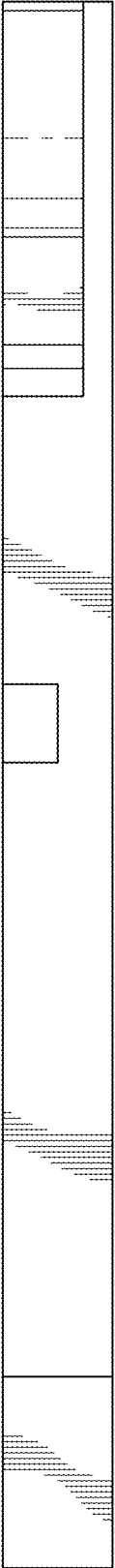


FIG. 21



FIG. 23



FIG. 22

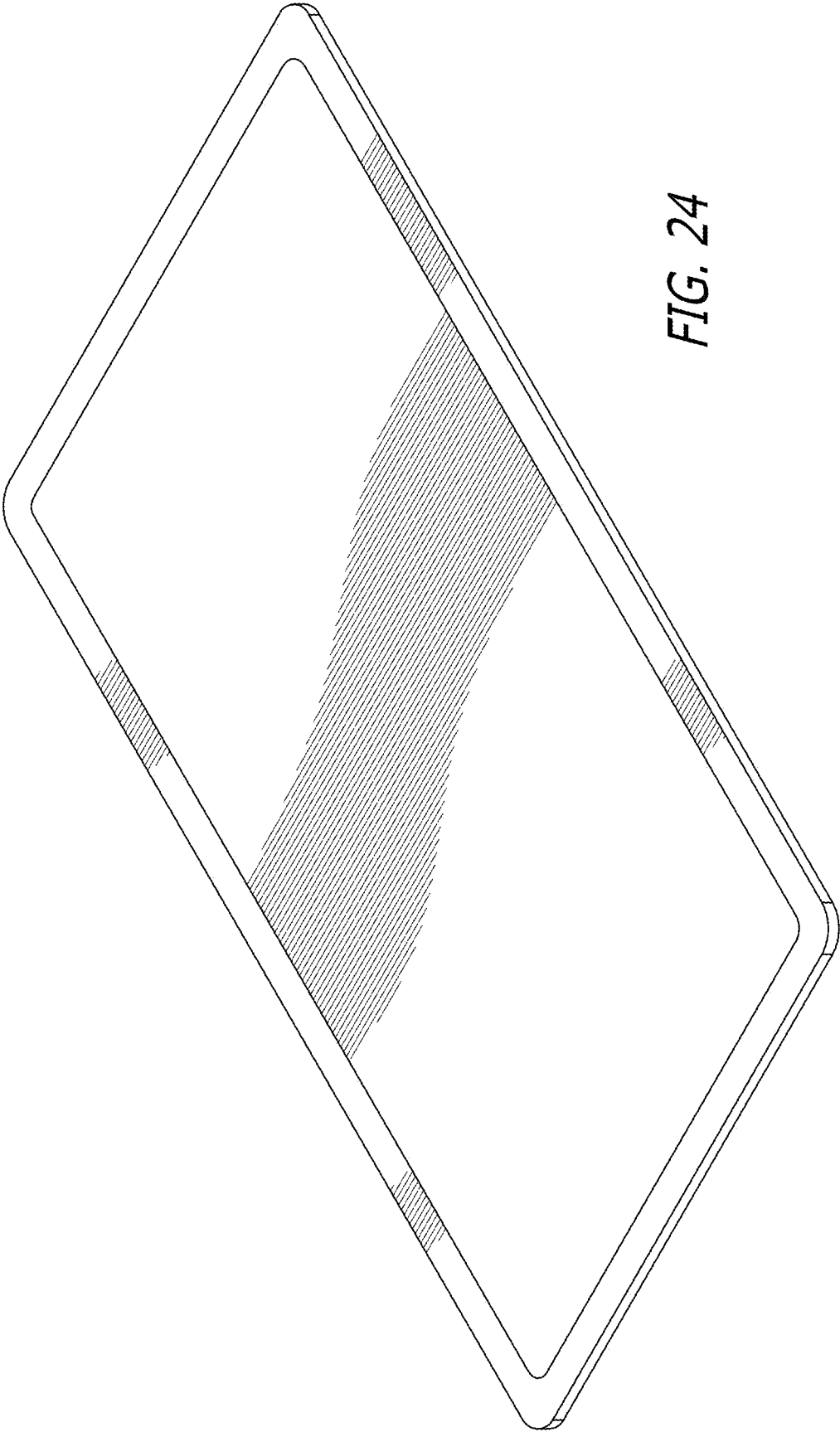


FIG. 24



FIG. 27

FIG. 25

FIG. 26

FIG. 29

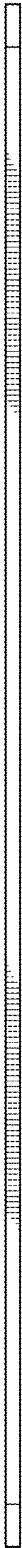


FIG. 28

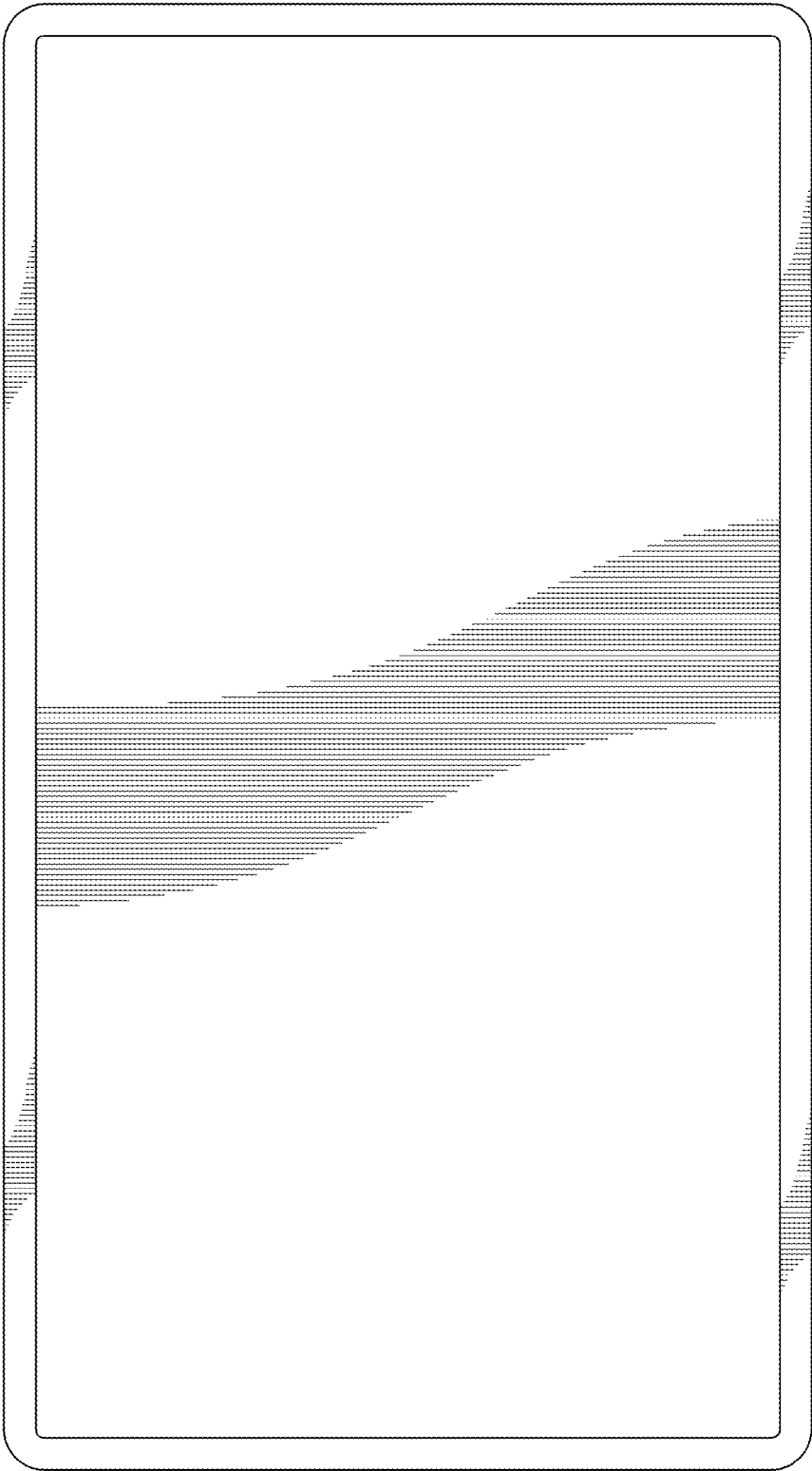


FIG. 30

