



US0D1072195S

(12) **United States Design Patent**
Saleh

(10) **Patent No.:** **US D1,072,195 S**

(45) **Date of Patent:** **** Apr. 22, 2025**

(54) **PORTABLE BIDET**

(71) Applicant: **Saleh J Saleh**, Orlando, FL (US)

(72) Inventor: **Saleh J Saleh**, Orlando, FL (US)

(**) Term: **15 Years**

(21) Appl. No.: **29/887,367**

(22) Filed: **Mar. 20, 2023**

(51) **LOC (15) Cl.** **23-01**

(52) **U.S. Cl.**
USPC **D23/223**

(58) **Field of Classification Search**
USPC D23/213, 226, 224, 228, 229, 238, 239,
D23/249, 250, 255, 295, 299, 301, 303,
(Continued)

(56) **References Cited**

U.S. PATENT DOCUMENTS

4,140,120 A * 2/1979 Yamauchi A61M 3/0262
4/443
D353,490 S * 12/1994 Hartwein D4/101
(Continued)

FOREIGN PATENT DOCUMENTS

CN 303424612 * 6/2015
CN 306779800 * 8/2021
KR 3020230000782 * 8/2023

OTHER PUBLICATIONS

“NPL.Amazon. Llist” May 22, 2023, Amazon.com, site visited Jan. 2, 2025: <https://www.amazon.com/LLest-Rechargeable-Essentials-Postpartum-Hemmoroid/dp/B0C5X3BFYX/ref> (Year: 2023).*
(Continued)

Primary Examiner — Justin C Dodson
Assistant Examiner — Matthew Bird

(74) *Attorney, Agent, or Firm* — Barry Choobin; Patent 360

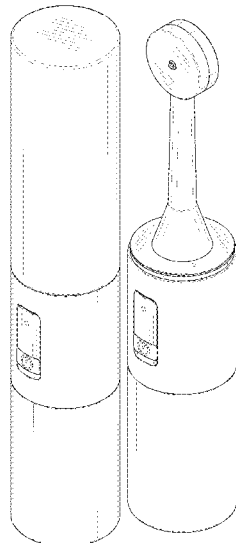
(57) **CLAIM**

The ornamental design for a portable bidet, as shown and described.

DESCRIPTION

FIG. 1 is a perspective view of a portable bidet, showing my new design;
FIG. 2 is another perspective view thereof;
FIG. 3 is a front view thereof;
FIG. 4 is a rear view thereof;
FIG. 5 is a right side view thereof;
FIG. 6 is a left side view thereof;
FIG. 7 is a top view thereof;
FIG. 8 is a bottom view thereof;
FIG. 9 is a perspective view of the portable bidet shown without the cap for convenience;
FIG. 10 is another perspective view thereof;
FIG. 11 is a front view thereof;
FIG. 12 is a rear view thereof;
FIG. 13 is a right side view thereof;
FIG. 14 is a left side view thereof;
FIG. 15 is a top view thereof;
FIG. 16 is a bottom view thereof;
FIG. 17 is a perspective view of the cap shown without the portable bidet for convenience;
FIG. 18 is a front view thereof;
FIG. 19 is a rear view thereof;
FIG. 20 is a right side view thereof;
FIG. 21 is a left side view thereof;
FIG. 22 is a top view thereof;
FIG. 23 is a bottom view thereof; and,
FIG. 24 is an exploded perspective view of the whole portable bidet.
The broken lines depict portions of the article that form no part of the claimed design.

1 Claim, 18 Drawing Sheets



(58) Field of Classification Search

USPC D23/309; D24/108, 112, 113, 114, 121,
 D24/122, 127, 130, 133; D9/549;
 D13/108
 CPC A61H 9/0021; A61H 9/0028; A61H 33/00;
 A61H 33/0012; A61H 33/0016; A47K
 3/26; A61M 5/178; A61M 3/00; A61M
 3/02; B05B 1/00; B05B 1/02; B05B 1/08;
 B05B 1/14; B05B 1/185; B05B 9/01;
 B05B 9/03; B05B 12/002; B05B 15/60;
 B05B 15/62; B05B 15/652; F16K 31/60;
 F16K 31/607; Y10T 137/9464
 See application file for complete search history.

D939,665	S	*	12/2021	Jiang	D23/226
D948,663	S	*	4/2022	Cran	D23/223
D948,709	S	*	4/2022	Zhang	D24/121
D979,728	S	*	2/2023	Luo	D23/356
D988,472	S	*	6/2023	Mazz	D23/223
D1,006,188	S	*	11/2023	Levinson	D23/309
D1,007,987	S	*	12/2023	Song	D8/36
D1,055,525	S	*	12/2024	Zhang	D4/101
2005/0187526	A1	*	8/2005	Horne	A47K 7/08 604/279
2005/0210572	A1	*	9/2005	Fogel	A61H 35/00 4/443
2006/0207007	A1	*	9/2006	Fogel	A61H 35/00 4/443
2014/0096316	A1	*	4/2014	Wu	E03D 9/085 4/443
2015/0013812	A1	*	1/2015	Bosio	E03C 1/0404 137/801
2020/0113391	A1	*	4/2020	Al-Hallaj	A47K 3/26

(56) References Cited

U.S. PATENT DOCUMENTS

D463,914	S	*	10/2002	Ferber	D4/101
D586,125	S	*	2/2009	Winkler	D4/101
D640,569	S	*	6/2011	Alongi	D9/503
D688,874	S	*	9/2013	Domoto	D4/101
D828,906	S	*	9/2018	Lu	D23/223
D895,107	S	*	9/2020	Zhang	D24/121
D913,420	S	*	3/2021	Sugawara	D23/206
D915,574	S	*	4/2021	Levinson	D23/360

OTHER PUBLICATIONS

“NPL.Amazon. Redsack” May 5, 2023, Amazon.com, site visited
 Jan. 2, 2025: [https://www.amazon.com/Redsack-Portable-Bottle-
 Personal-Handheld/dp/B0C4DFX7RK/ref](https://www.amazon.com/Redsack-Portable-Bottle-Personal-Handheld/dp/B0C4DFX7RK/ref) (Year: 2023).*

* cited by examiner

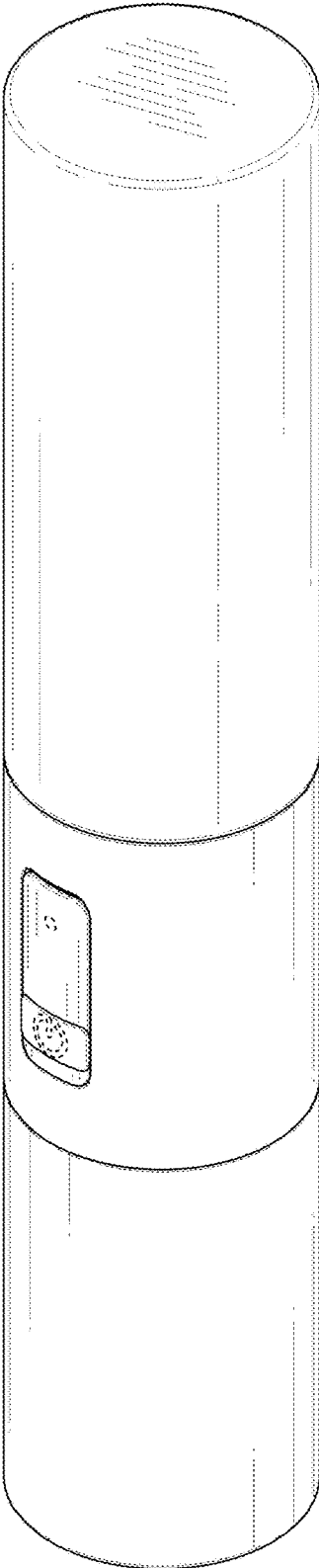


FIG. 1

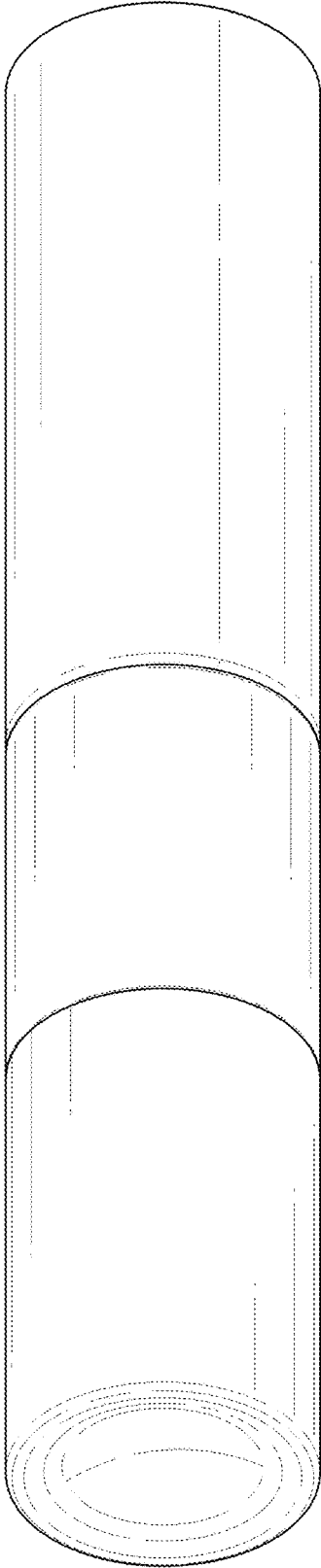


FIG. 2

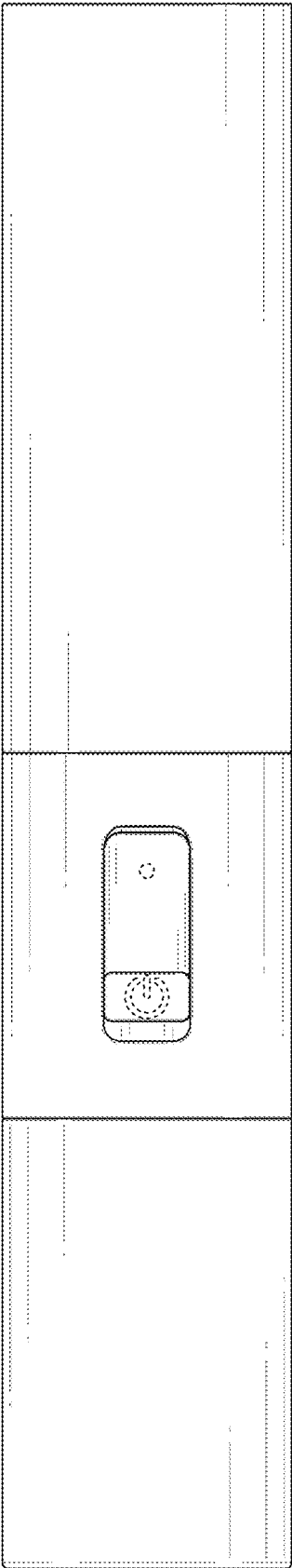


FIG. 3

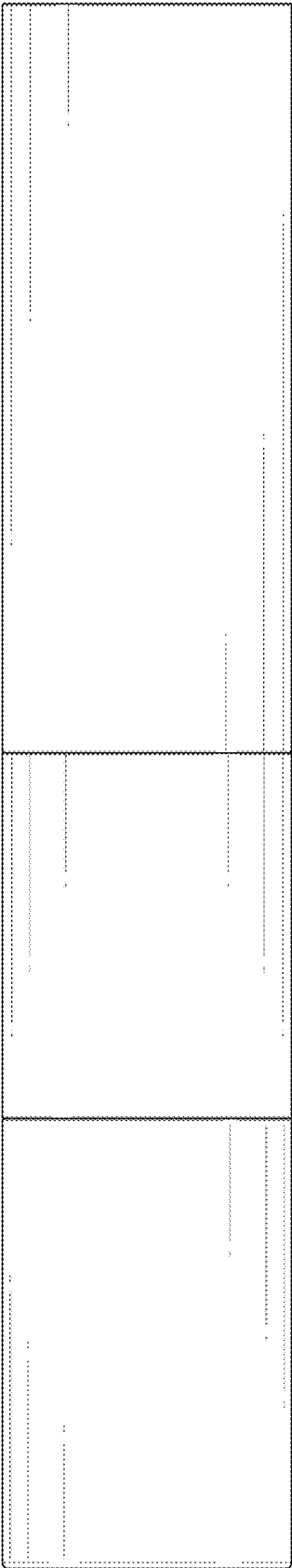


FIG. 4

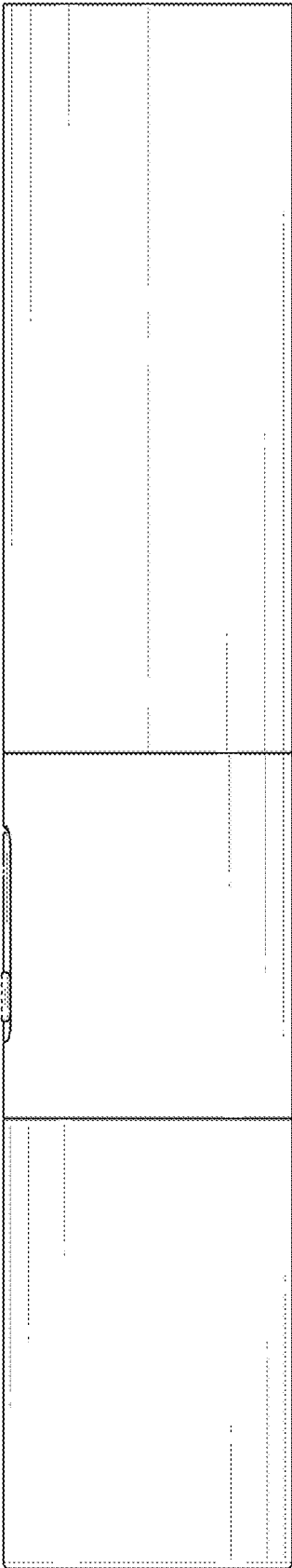


FIG. 5

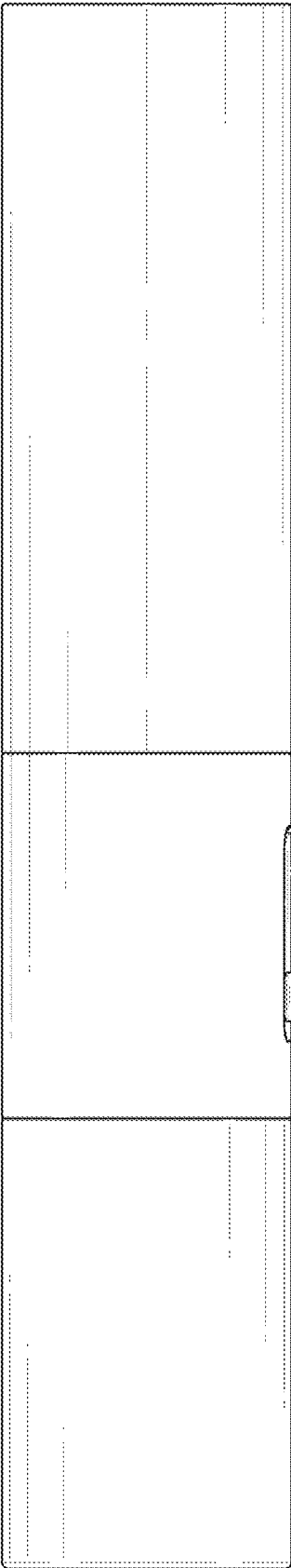


FIG. 6

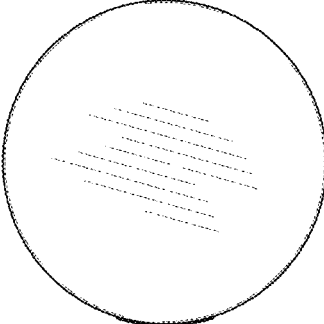


FIG. 7

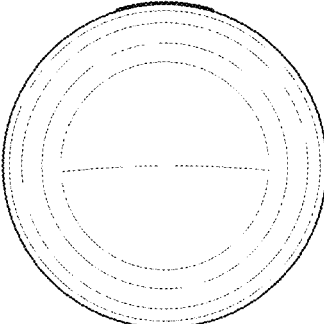


FIG. 8

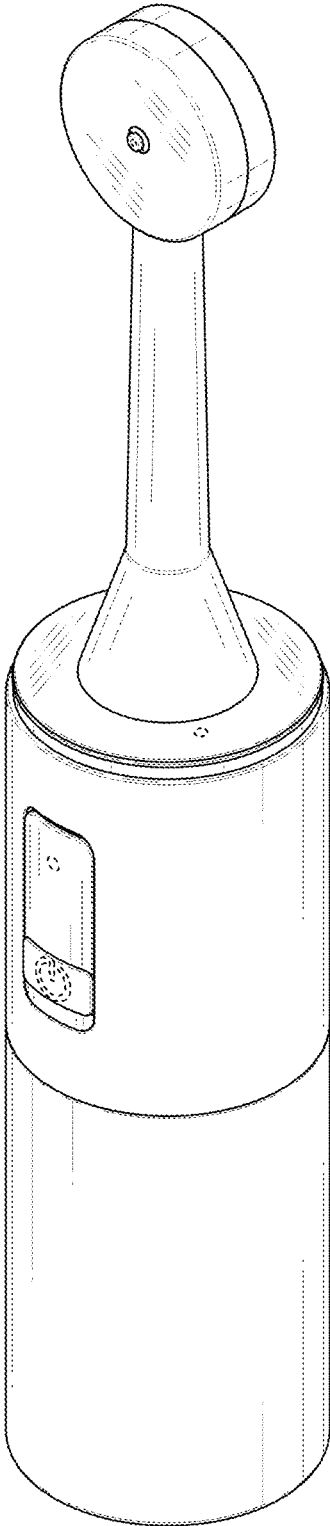


FIG. 9

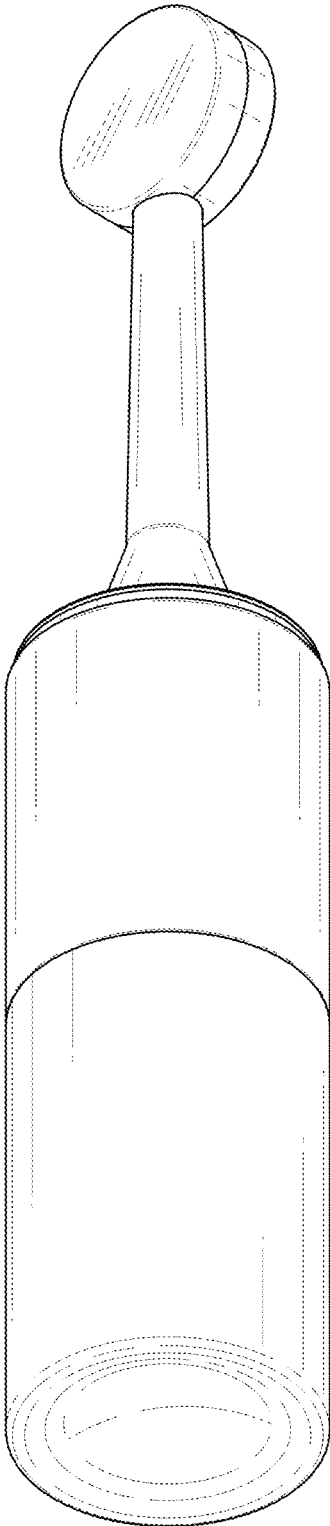


FIG. 10

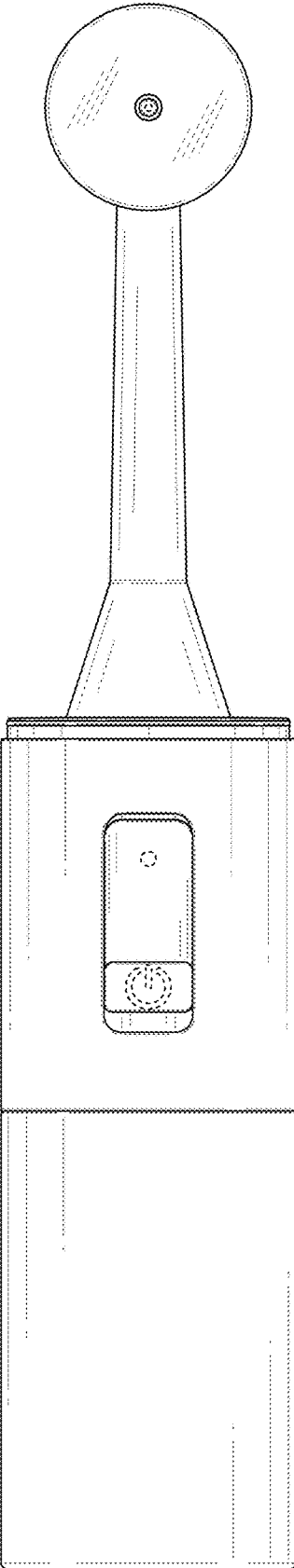


FIG. 11

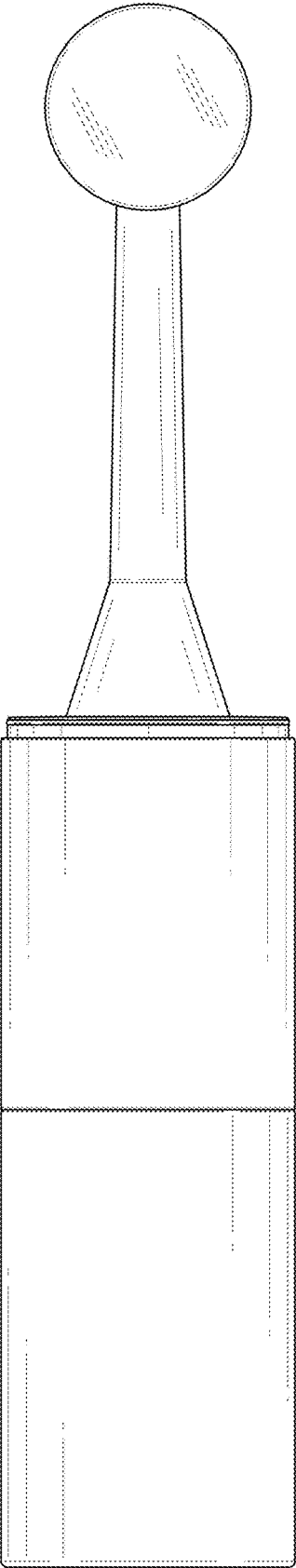


FIG. 12

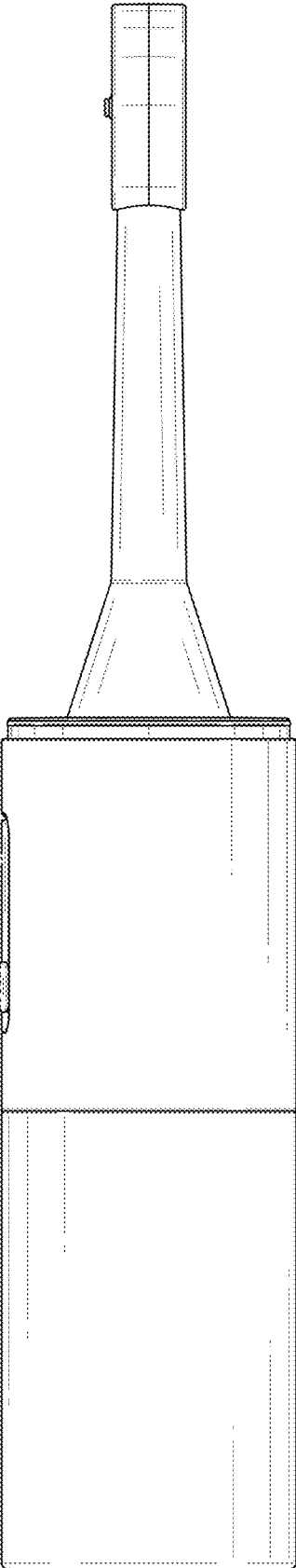


FIG. 13

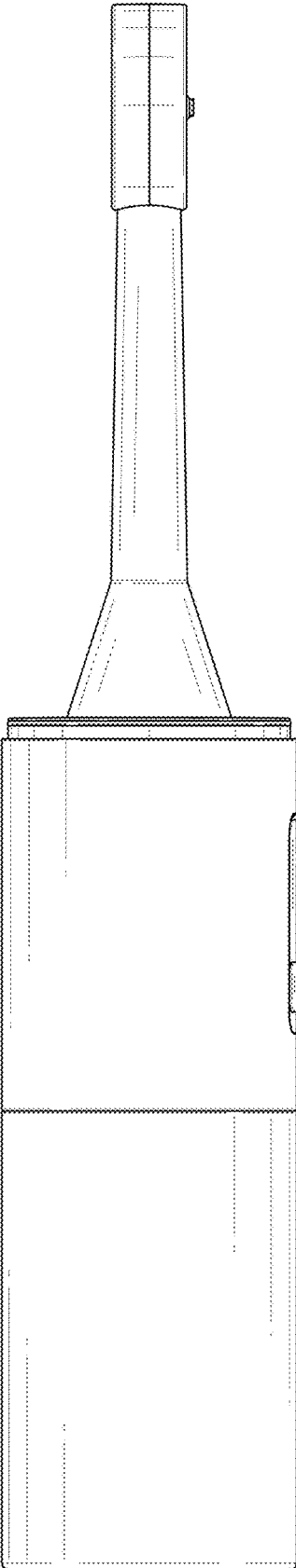


FIG. 14

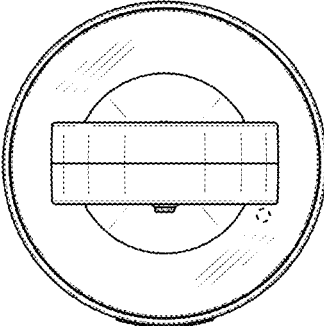


FIG. 15

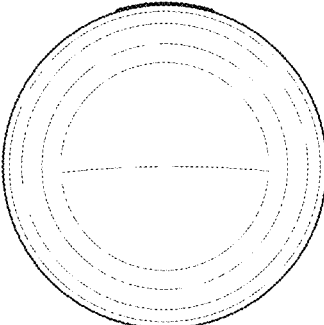


FIG. 16

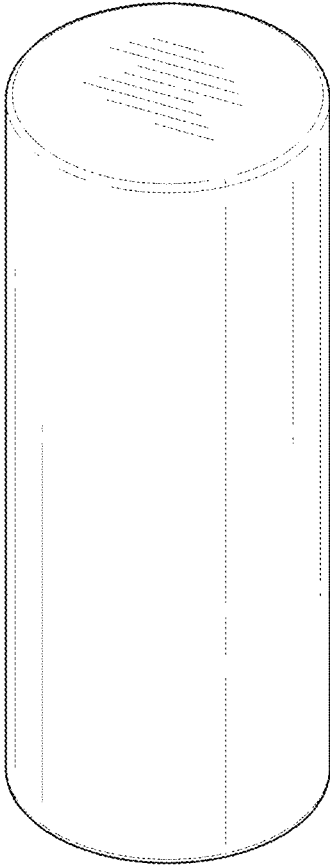


FIG. 17

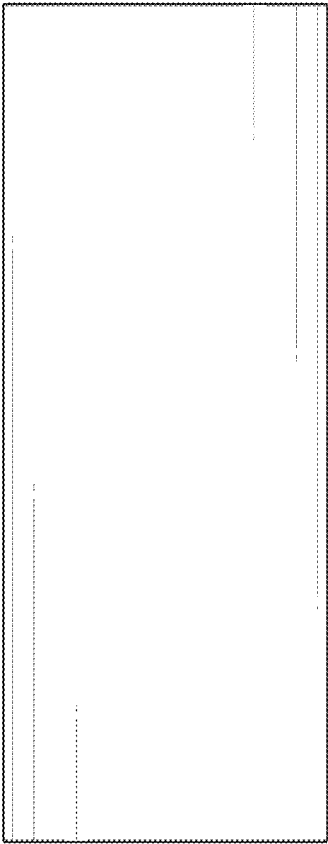


FIG. 18

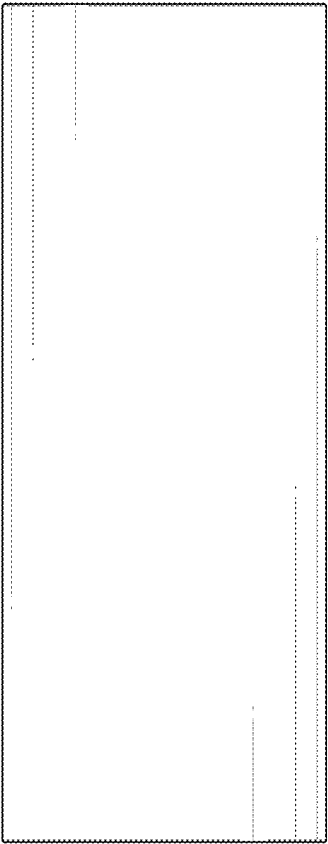


FIG. 19

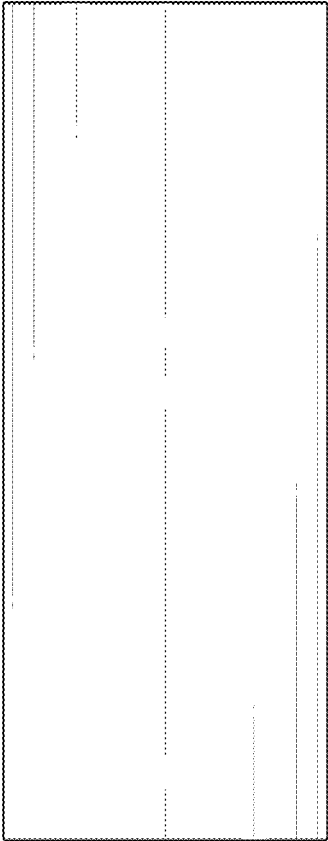


FIG. 20

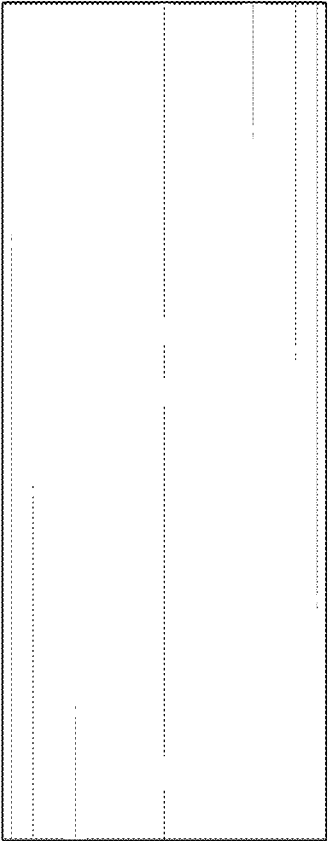


FIG. 21

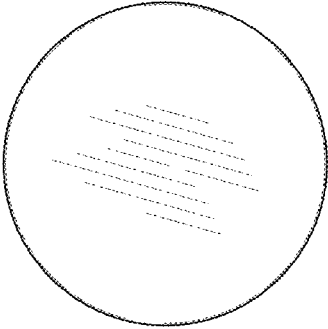


FIG. 22

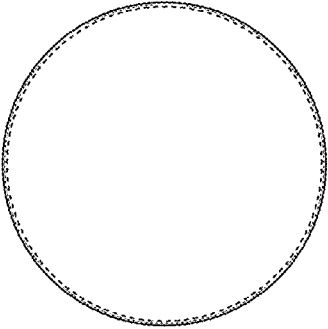


FIG. 23

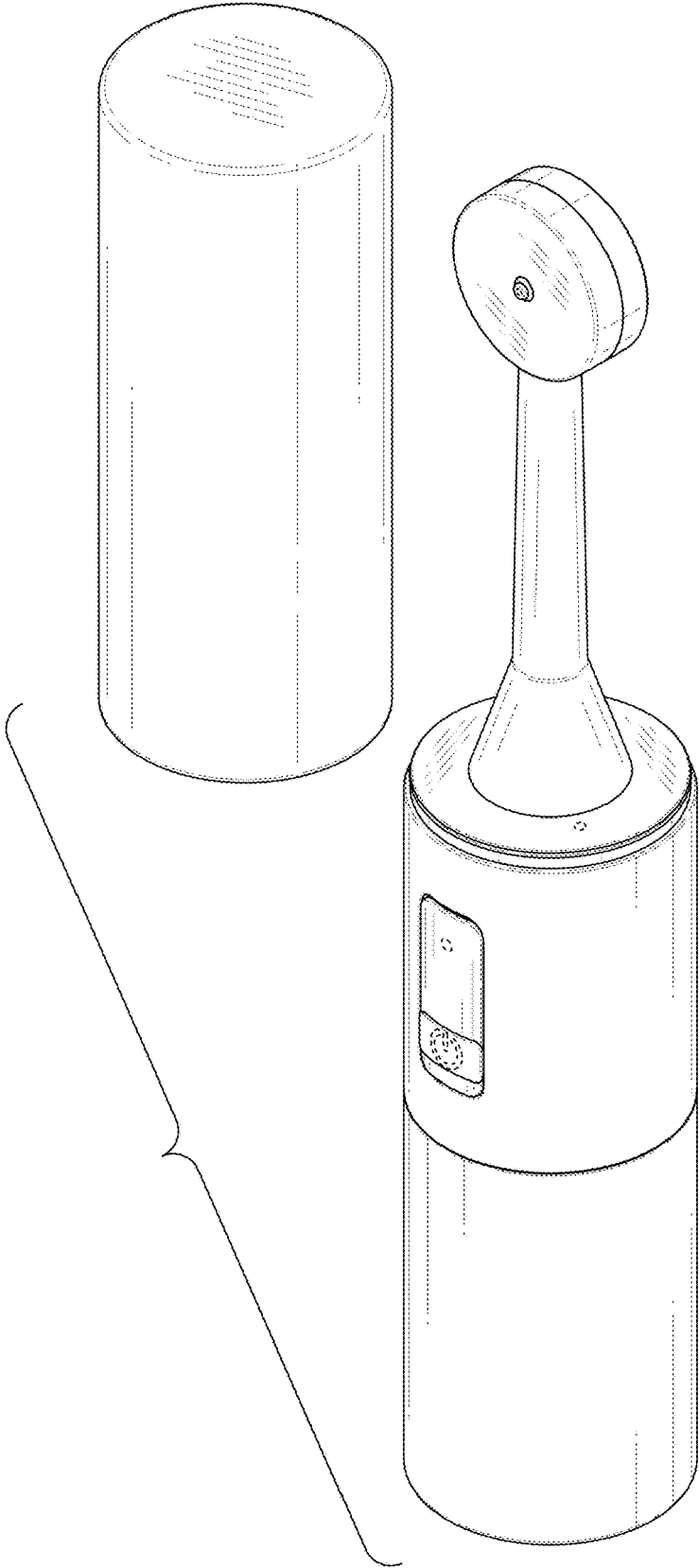


FIG. 24