



US0D1074524S

(12) **United States Design Patent**
Harb

(10) **Patent No.:** **US D1,074,524 S**

(45) **Date of Patent:** **** May 13, 2025**

(54) **DECORATIVE ACCESSORY FOR A BICYCLE**

(71) Applicant: **Hatem Harb**, Paramount, CA (US)

(72) Inventor: **Hatem Harb**, Paramount, CA (US)

(**) Term: **15 Years**

(21) Appl. No.: **29/948,457**

(22) Filed: **Jun. 21, 2024**

(51) **LOC (15) Cl.** **12-11**

(52) **U.S. Cl.**
USPC **D12/114**

(58) **Field of Classification Search**
USPC D12/114, 117, 111, 400
CPC . B62K 3/00; B62K 3/005; B62K 3/02; B62K
9/00; B62K 19/00; B62K 19/02; B62K
19/04; B62K 19/06; B62K 19/16; B62K
19/18; B62K 19/40

See application file for complete search history.

(56) **References Cited**

U.S. PATENT DOCUMENTS

D245,412 S *	8/1977	Ray	D12/126
D263,457 S *	3/1982	Janning, Jr.	D12/114
D340,433 S *	10/1993	Baldwin	D12/117
D359,467 S *	6/1995	Hsieh	D12/117
D370,457 S *	6/1996	Dietz	D12/402
D374,848 S	10/1996	Liles	
D376,123 S *	12/1996	Camfield	D12/114
D376,775 S	12/1996	Fang	
D382,233 S *	8/1997	Stotsky	D12/117
D409,528 S *	5/1999	Huang	D12/111
D421,937 S *	3/2000	Huang	D12/111
D423,415 S *	4/2000	McKay	D12/114
D478,847 S *	8/2003	Ratto	D12/114
D498,440 S *	11/2004	Tiyawatchalapong	D12/114
D503,363 S *	3/2005	Alsop	D12/117
D509,462 S *	9/2005	Ford	D12/117
D520,412 S *	5/2006	Lee	D12/117

D521,419 S *	5/2006	Mezzasalma	D12/117
D527,314 S *	8/2006	Czys	D12/117
D542,191 S *	5/2007	Alsop	D12/117
D555,545 S *	11/2007	Peek	D12/114
D658,095 S *	4/2012	Simon	D12/117
D692,801 S *	11/2013	Lumpkin	D12/117
D766,137 S *	9/2016	Evans	D12/114
D768,544 S *	10/2016	Wen	D12/114
D774,967 S *	12/2016	O'Sullivan	D12/111
D774,983 S	12/2016	Lam	

(Continued)

Primary Examiner — Michelle E. Wilson

Assistant Examiner — Clese Moore, Jr.

(74) *Attorney, Agent, or Firm* — Barry Choobin; Patent
360

(57) **CLAIM**

The ornamental design for a decorative accessory for a bicycle, as shown and described.

DESCRIPTION

FIG. 1 is a perspective view of a decorative accessory for a bicycle, showing my new design;

FIG. 2 is a front view thereof;

FIG. 3 is a rear view thereof;

FIG. 4 is a right side view thereof;

FIG. 5 is a left side view thereof;

FIG. 6 is a top view thereof;

FIG. 7 is a bottom view thereof;

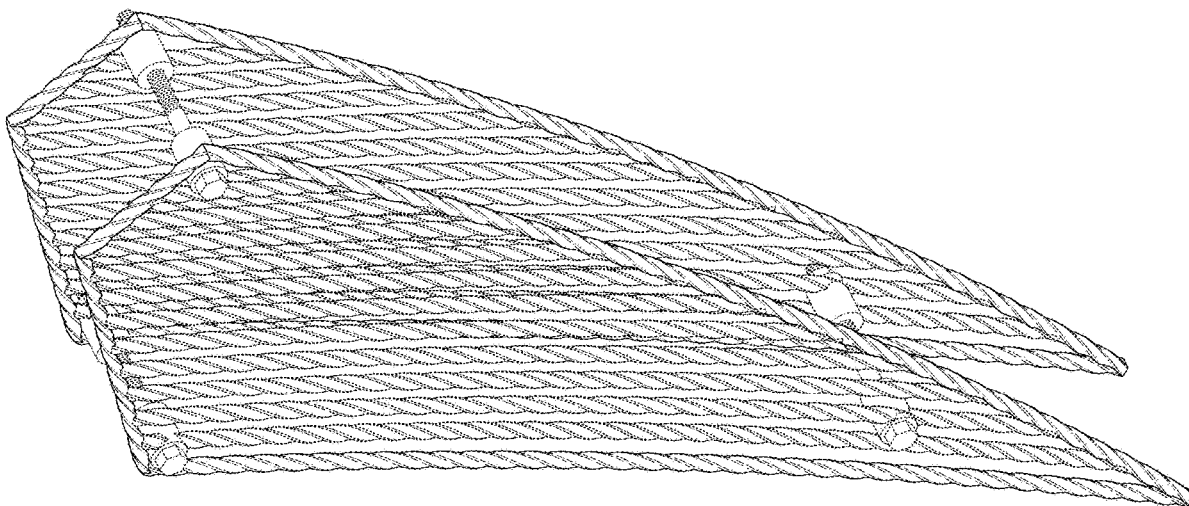
FIG. 8 is an enlarged view of a portion 8 indicated in FIG. 4;

FIG. 9 is an enlarged view of a portion 9 indicated in FIG. 5; and,

FIG. 10 is an enlarged view of a portion 10 indicated in FIG. 6.

The broken lines depict portions of the decorative accessory for a bicycle that form no part of the claimed design. The dot-dash broken lines depict reference to the enlargement and form no part of the claimed design.

1 Claim, 7 Drawing Sheets



(56)

References Cited

U.S. PATENT DOCUMENTS

D777,610 S * 1/2017 Wilson D12/114
D887,310 S * 6/2020 McGinley D12/117

* cited by examiner

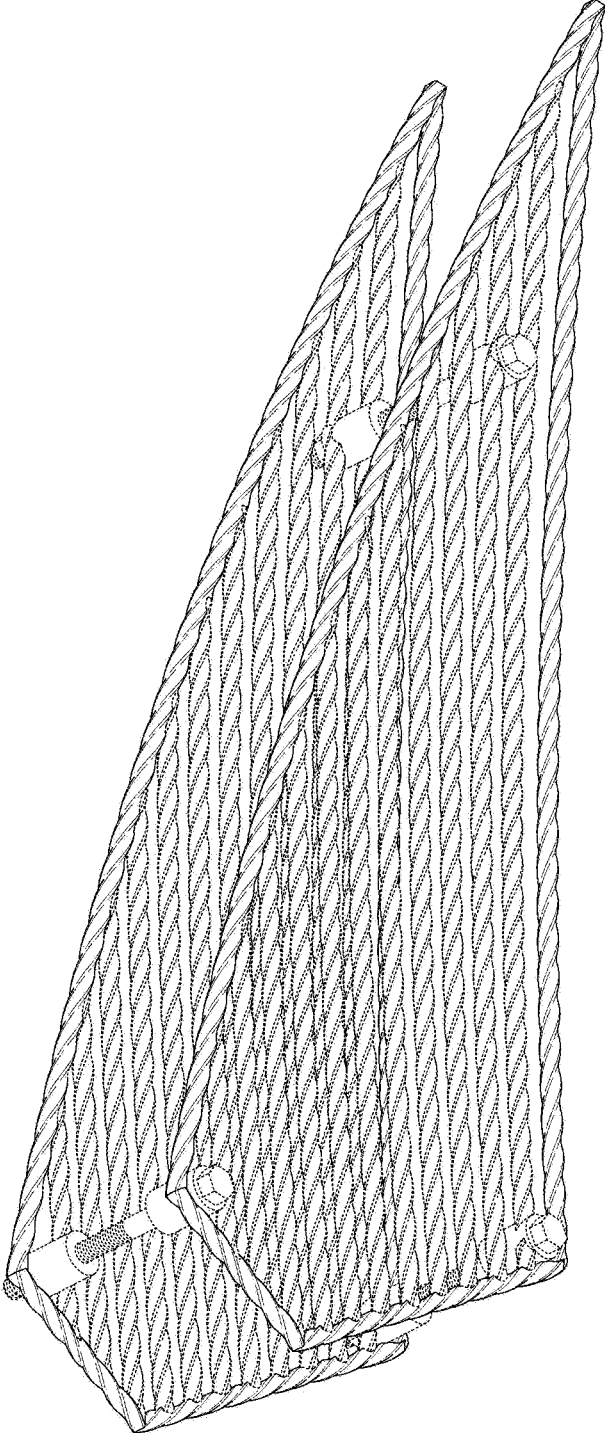


FIG. 1

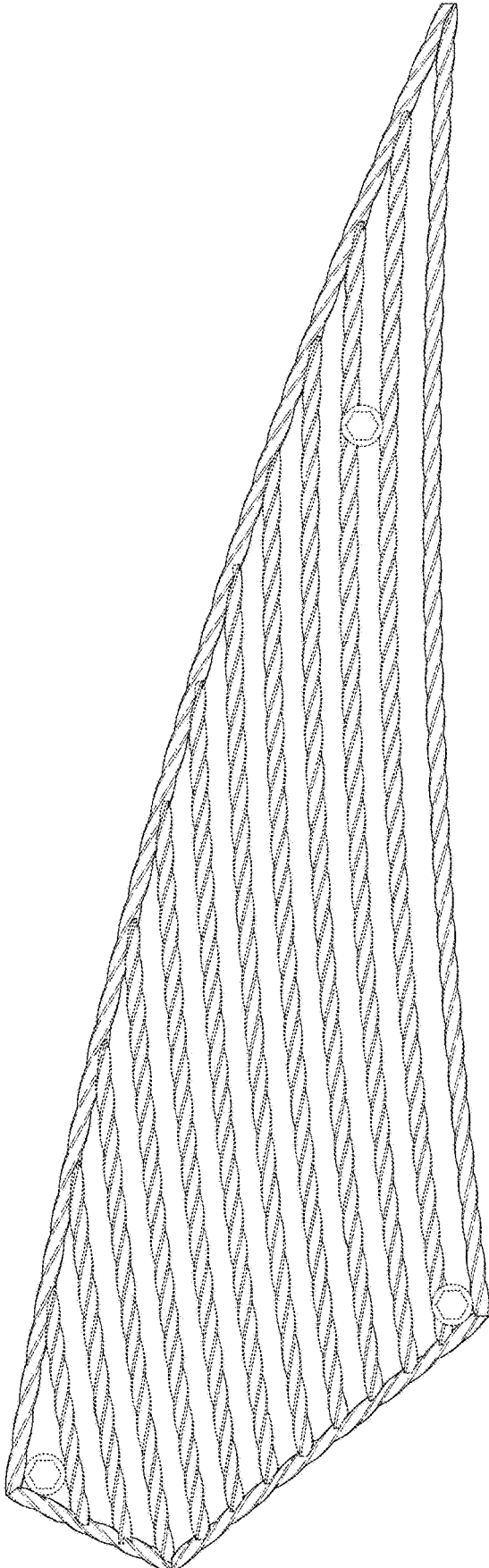


FIG. 2

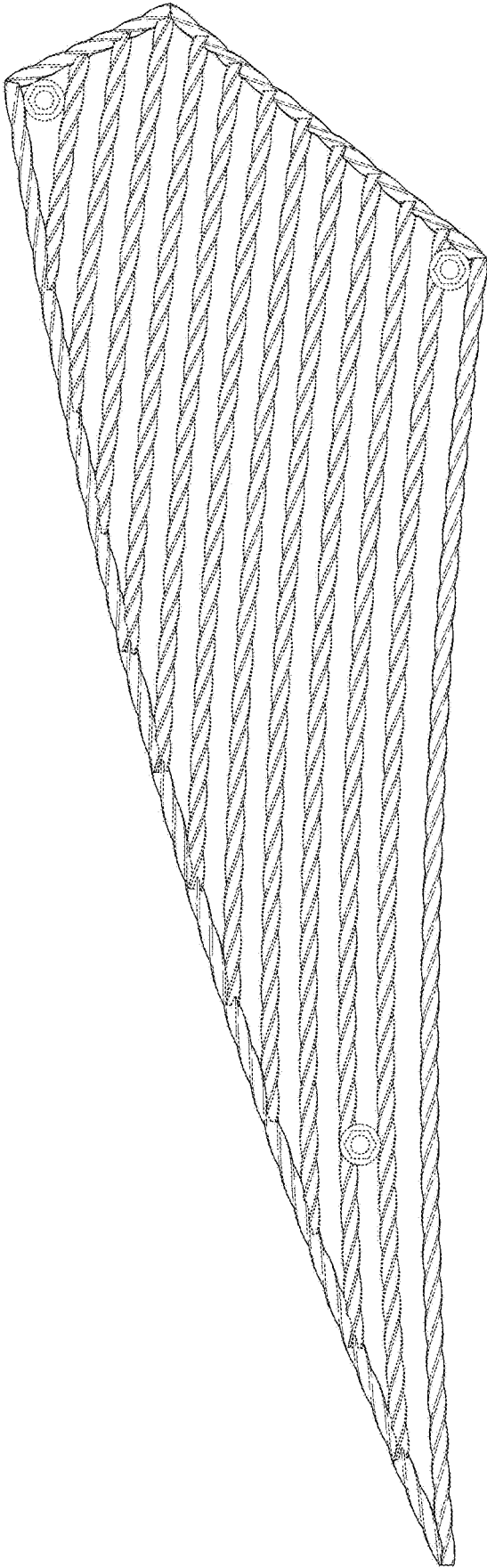


FIG. 3

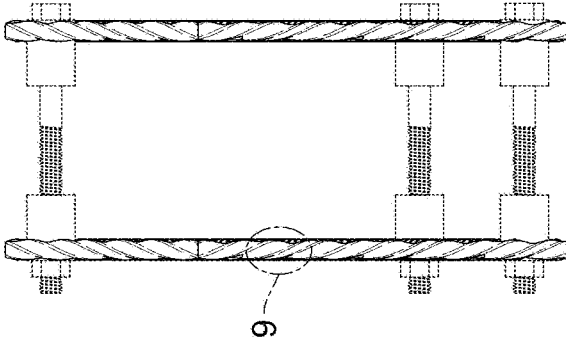


FIG. 5

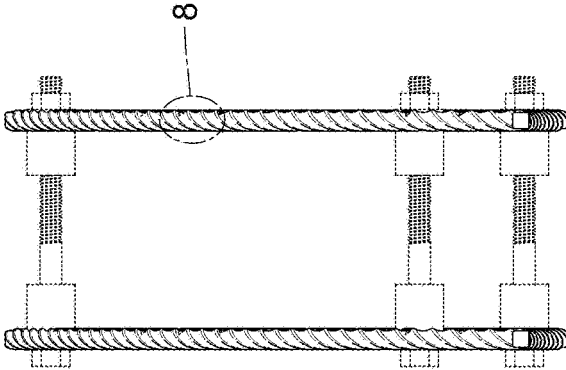


FIG. 4

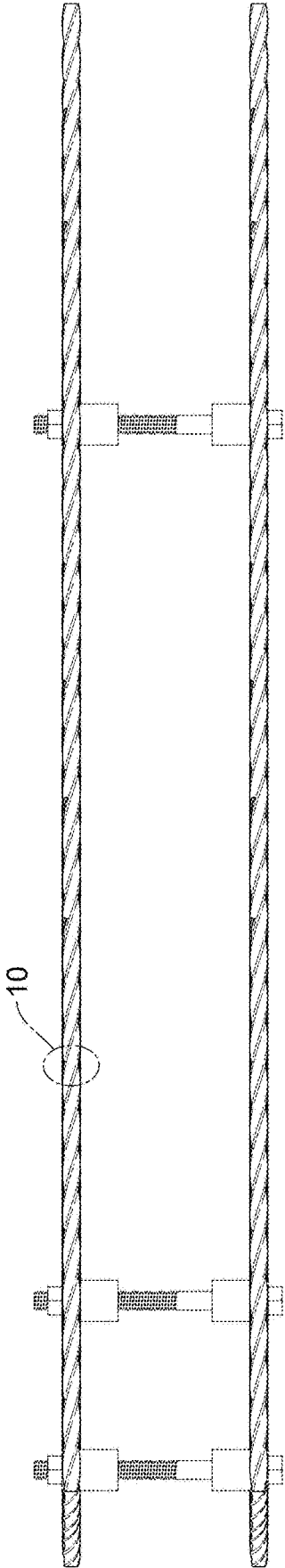


FIG. 6

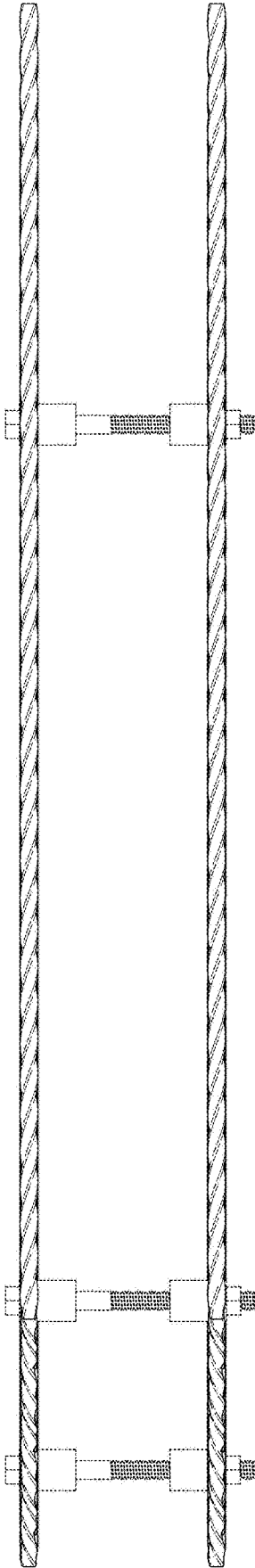


FIG. 7

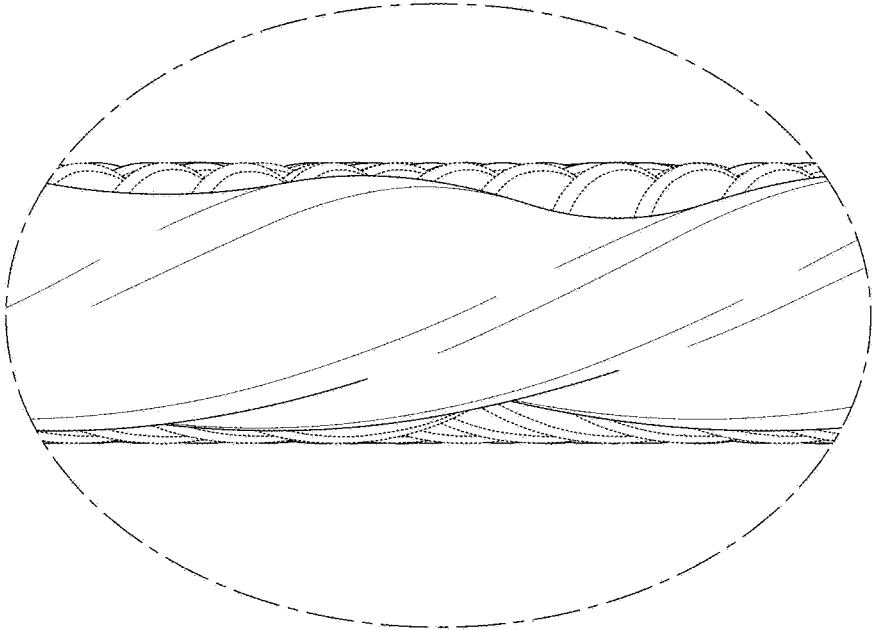


FIG. 9

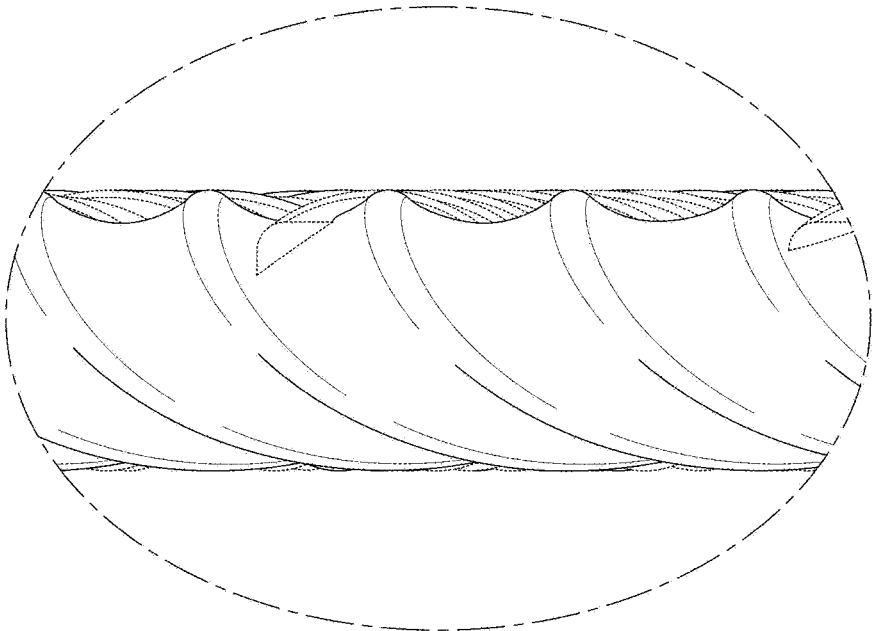


FIG. 8

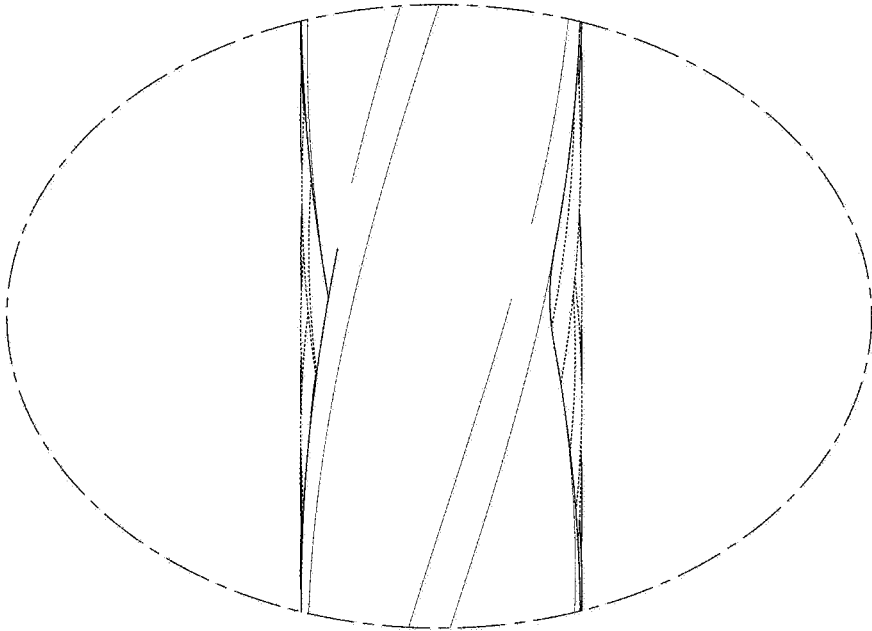


FIG. 10