



(12) **United States Design Patent**
Nielsen et al.

(10) **Patent No.:** **US D1,073,148 S**
(45) **Date of Patent:** **** Apr. 29, 2025**

(54) **SEARCH AND LANDING LIGHT FOR AN AIRCRAFT**

(71) Applicants: **Christian R Nielsen**, Palm Coast, FL (US); **Jakub Gregor**, Palm Coast, FL (US); **Martin Polak**, Drasov (CZ)

(72) Inventors: **Christian R Nielsen**, Palm Coast, FL (US); **Jakub Gregor**, Palm Coast, FL (US); **Martin Polak**, Drasov (CZ)

(**) Term: **15 Years**

(21) Appl. No.: **29/913,973**

(22) Filed: **Oct. 11, 2023**

(51) **LOC (15) Cl.** **26-06**

(52) **U.S. Cl.**
USPC **D26/29; D26/61**

(58) **Field of Classification Search**
USPC D26/28, 29, 36, 60, 61, 63-66; D12/345
CPC F21W 2107/30; F21W 2102/00
See application file for complete search history.

(56) **References Cited**

U.S. PATENT DOCUMENTS

2,510,818	A *	6/1950	Grimes	B64D 47/04
					74/411
D371,615	S *	7/1996	Lai	D26/28
D463,055	S *	9/2002	Layne	D26/63
D573,288	S *	7/2008	Xu	D26/71
D574,989	S *	8/2008	Rodzwil	D26/63
D603,072	S *	10/2009	Scoley	D12/345
D626,670	S *	11/2010	Metzger	D26/28
D882,835	S *	4/2020	Harriton	D26/28
D956,302	S *	6/2022	Xu	D26/118
D979,817	S *	2/2023	Groen	D26/29

OTHER PUBLICATIONS

"Installation" published on Amazon.com, date unavailable, site visited Aug. 30, 2024, available from internet URL: <https://www.modstore.aero/modification/proponent-installation-of-a-talon-retractable-searchlight-and-landing-light-using-4> (Year: 2024).*

"C-130 LED" published on Amazon.com, date unavailable, site visited Aug. 30, 2024, available from internet URL: <https://aerospace.honeywell.com/us/en/products-and-services/product/hardware-and-systems/lighting/c-130-led-retractable-landing-light> (Year: 2024).*

"G-3600A3" published on Amazon.com, date unavailable, site visited Aug. 30, 2024, available from internet URL: <https://www.dfwpairparts.com/g-3600a3-g-3600a-3-cessna-aircraft-grimes-retractable-landing-light> (Year: 2024).*

* cited by examiner

Primary Examiner — Angela J Lee

Assistant Examiner — Liv C Anderson

(74) *Attorney, Agent, or Firm* — Barry Choobin; Patent 360

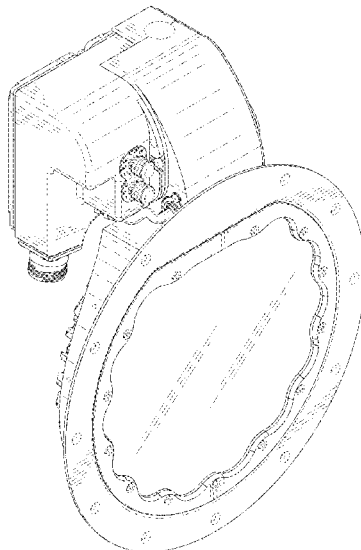
(57) **CLAIM**

The ornamental design for a search and landing light for an aircraft, as shown and described.

DESCRIPTION

FIG. 1 is a front and side perspective view of a search and landing light for an aircraft, showing our new design; FIG. 2 is a rear and side perspective view thereof; FIG. 3 is a front view thereof; FIG. 4 is a rear view thereof; FIG. 5 is a right side view thereof; FIG. 6 is a left side view thereof; FIG. 7 is a top view thereof; and, FIG. 8 is a bottom view thereof. The broken lines depict portions of the search and landing light for an aircraft that form no part of the claimed design.

1 Claim, 8 Drawing Sheets



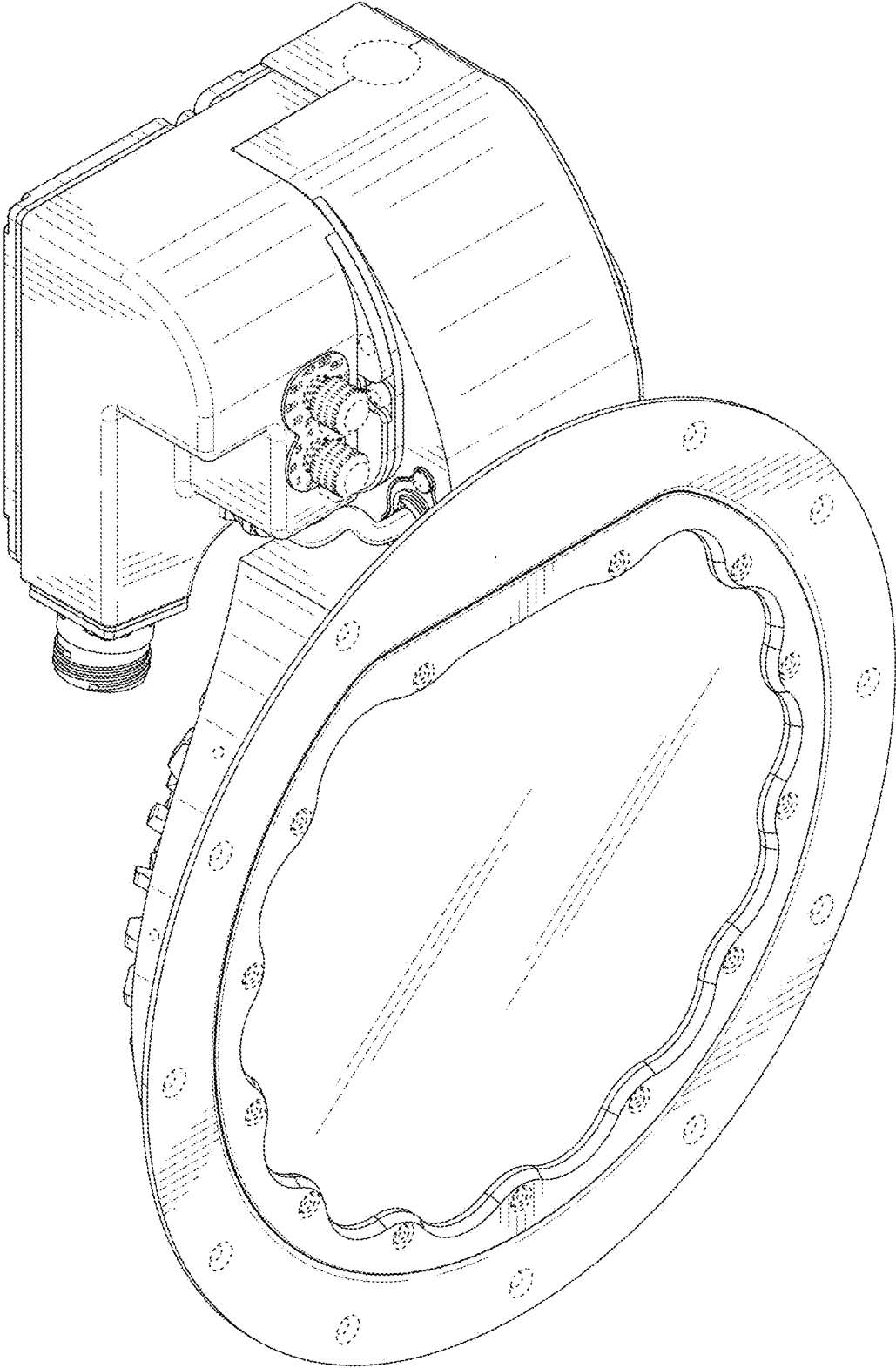


FIG. 1

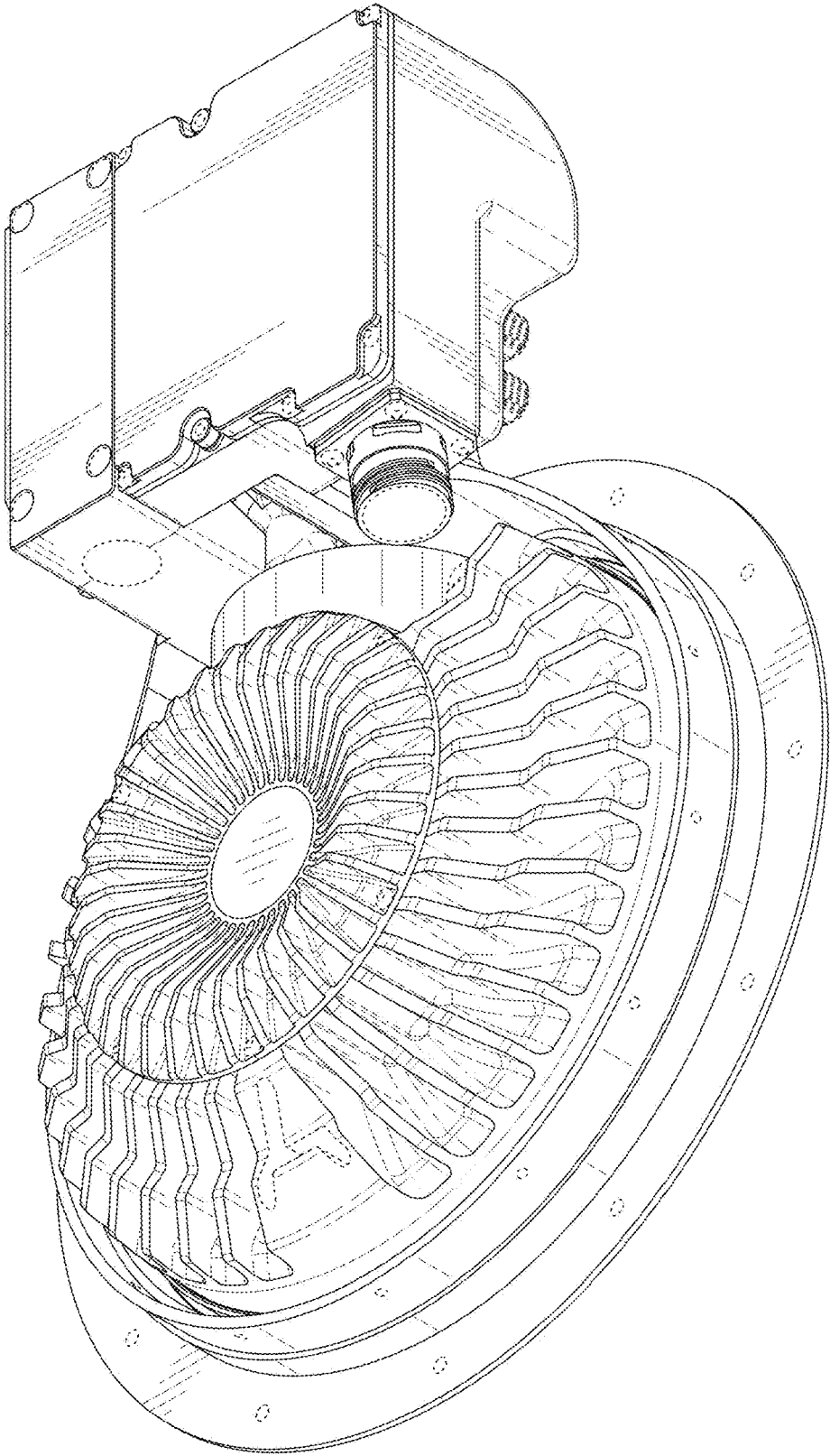


FIG. 2

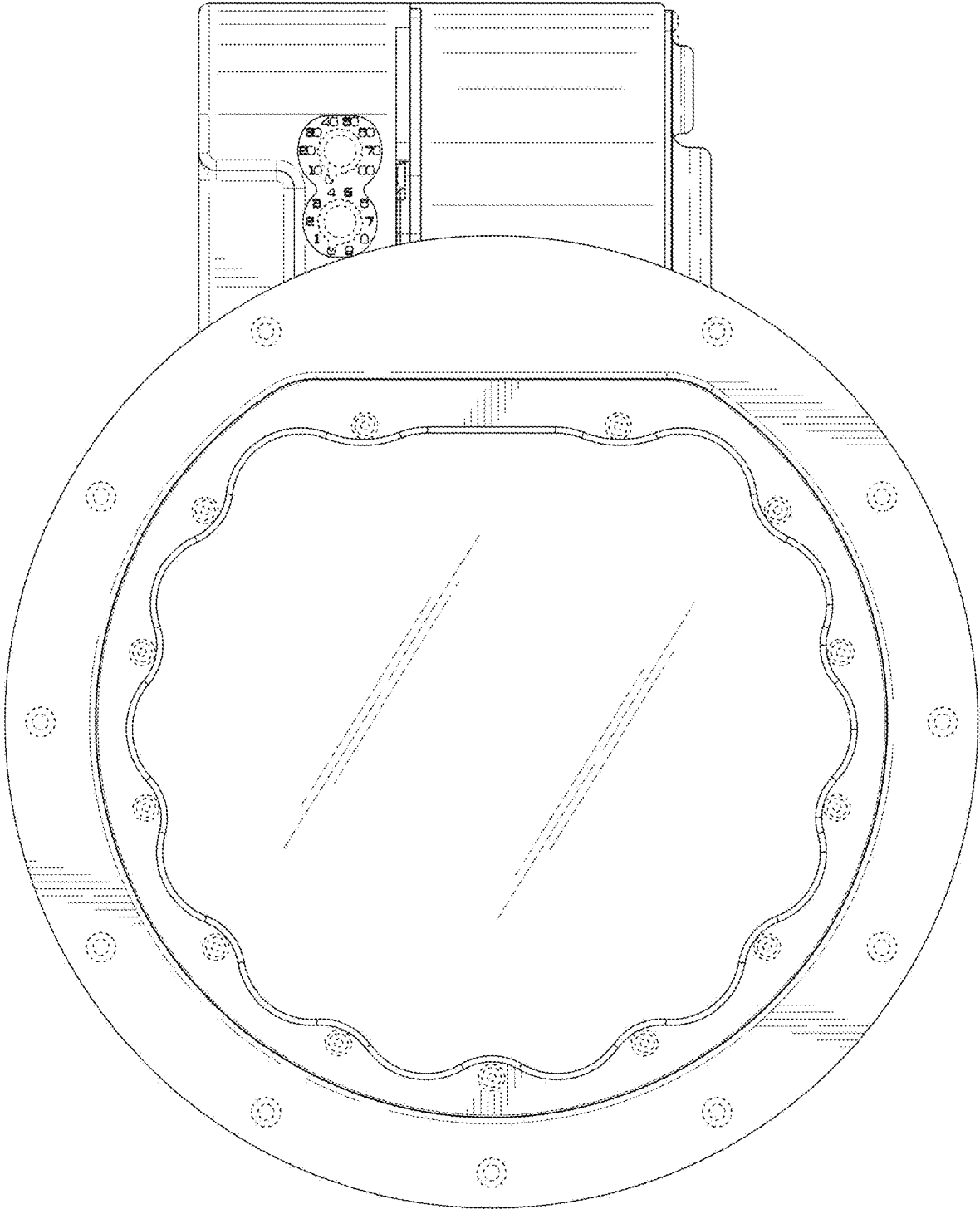


FIG. 3

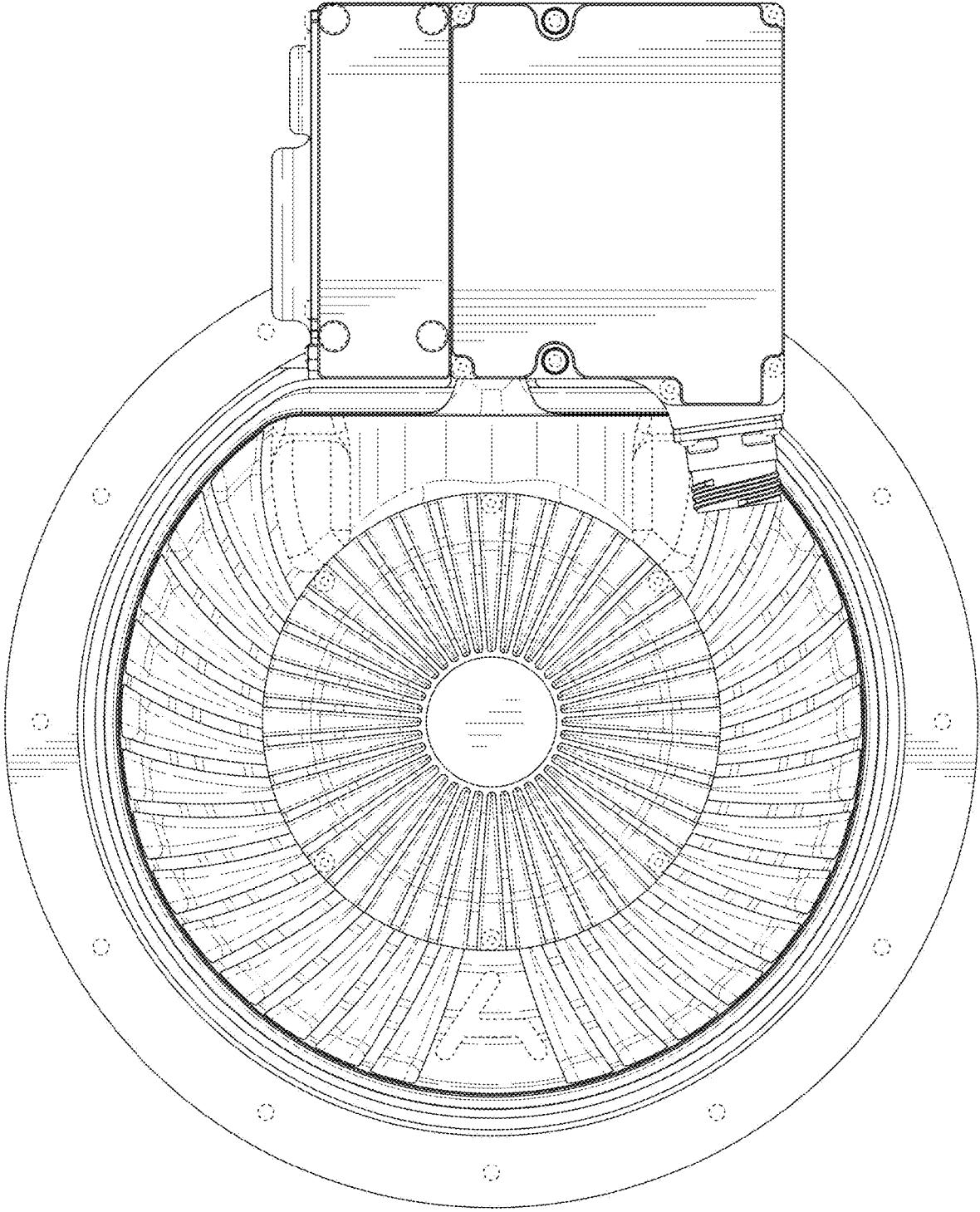


FIG. 4

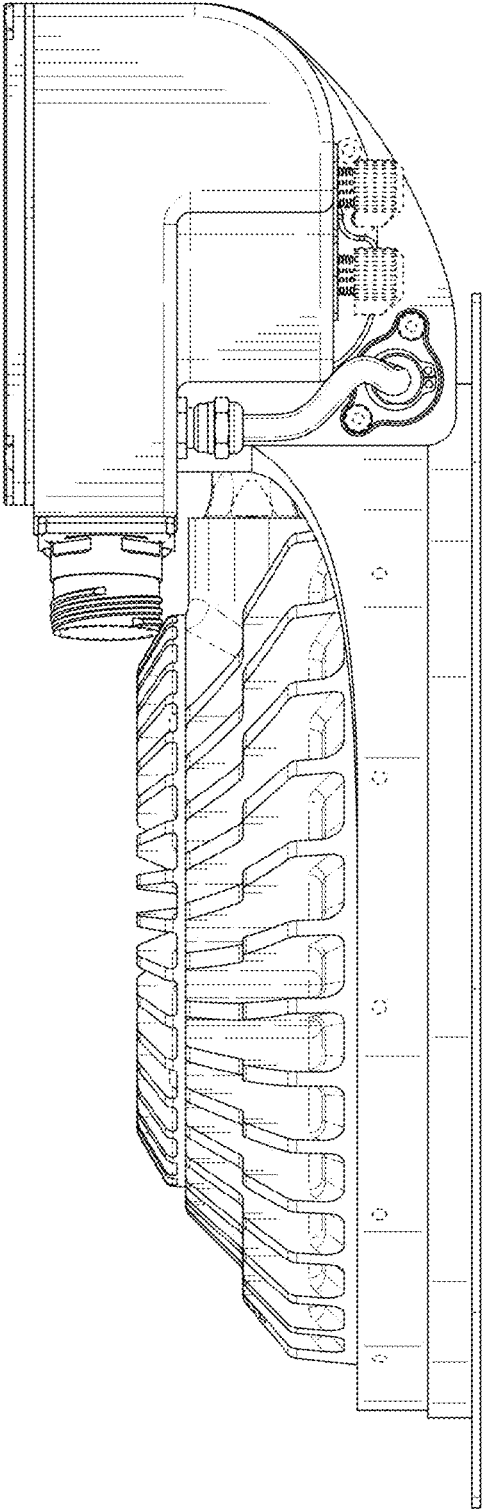


FIG. 5

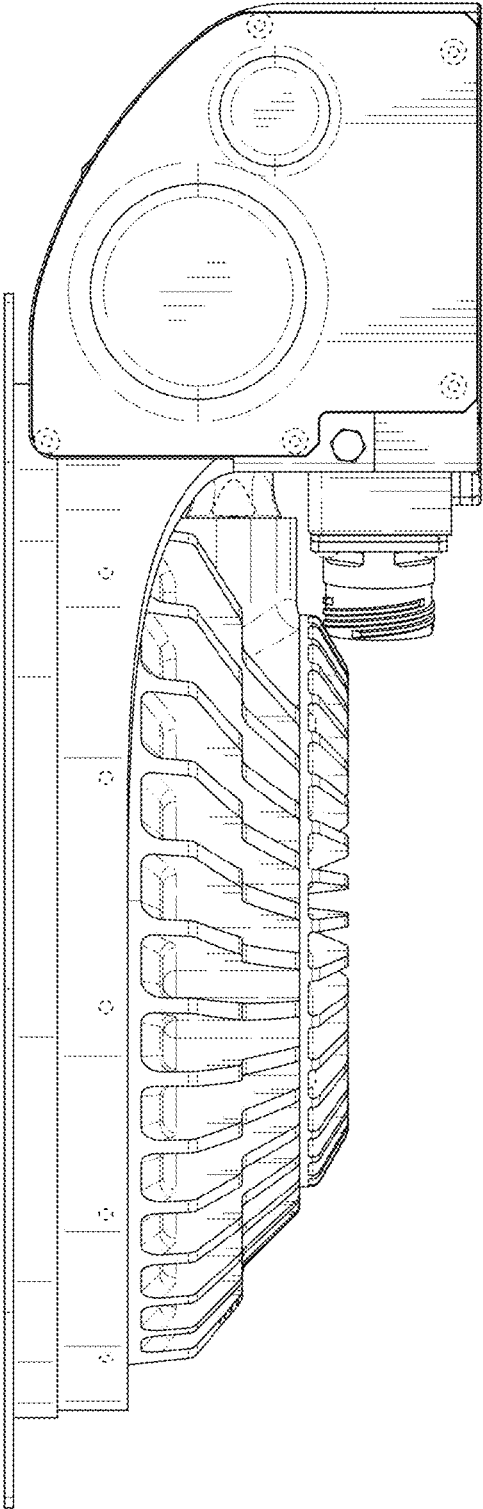


FIG. 6

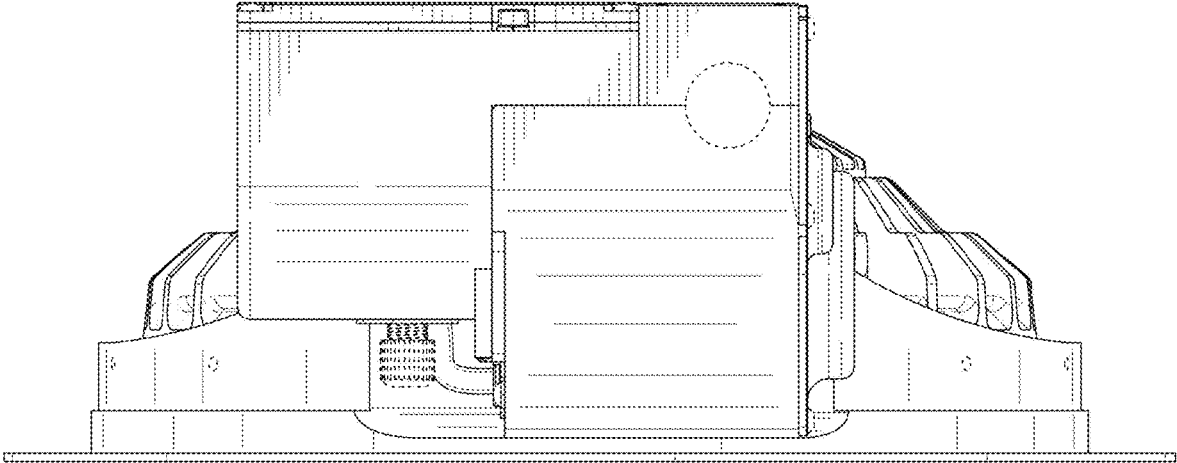


FIG. 7

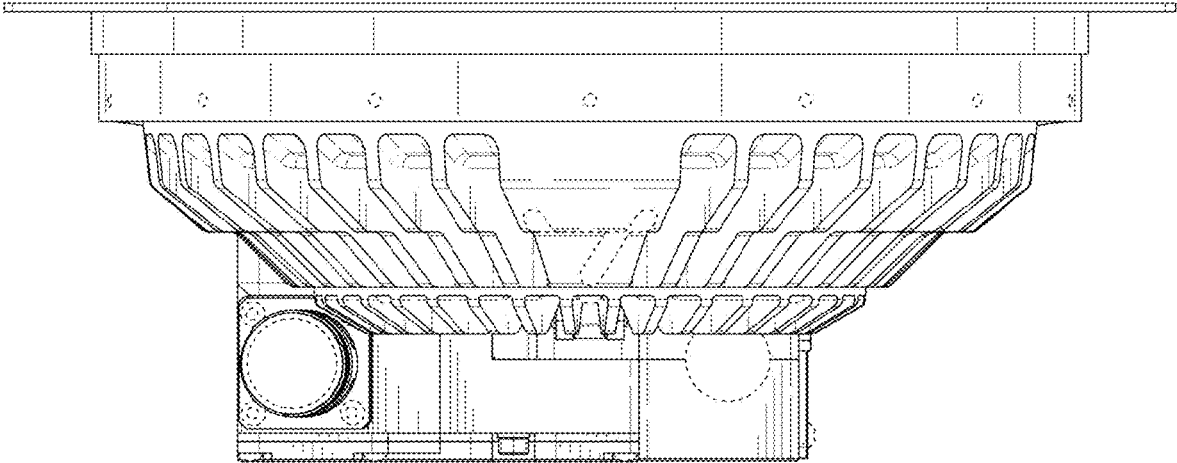


FIG. 8