



US0D1047938S

(12) **United States Design Patent**
Gregor et al.

(10) **Patent No.:** **US D1,047,938 S**

(45) **Date of Patent:** **** Oct. 22, 2024**

(54) **HANDHELD ELECTRONIC CONTROLLER**

(71) Applicants: **Jakub Gregor**, Palm Coast, FL (US);
Javier Gordillo, Pribram (CZ);
Christian Nielsen, Palm Coast, FL (US)

(72) Inventors: **Jakub Gregor**, Palm Coast, FL (US);
Javier Gordillo, Pribram (CZ);
Christian Nielsen, Palm Coast, FL (US)

(**) Term: **15 Years**

(21) Appl. No.: **29/937,892**

(22) Filed: **Apr. 17, 2024**

(51) **LOC (14) Cl.** **14-03**

(52) **U.S. Cl.**
USPC **D13/168**

(58) **Field of Classification Search**
USPC D13/168; D10/78, 104.1, 106.1;
D14/218; D21/533, 566
CPC G08C 19/00; G08C 19/12; G08C 19/18;
G08C 23/04; G08C 17/02; H04B 1/202;
H01H 9/0235; H05B 47/10; H05B
47/175; H05B 47/19; H03J 9/00; H03J
9/02; H03J 9/04; H03J 9/06; H03J 1/0025
See application file for complete search history.

(56) **References Cited**

U.S. PATENT DOCUMENTS

| | | | | |
|---------------|---------|--------------|-------|--------------------------|
| D351,141 S * | 10/1994 | Van Akkeren | | D13/168 |
| 5,916,286 A * | 6/1999 | Seashore | | H04L 41/0856 701/34.2 |
| D451,891 S * | 12/2001 | Noonan | | D13/168 |
| D467,239 S * | 12/2002 | Griesau | | D14/218 |
| D512,026 S * | 11/2005 | Nurmi | | D13/162 |
| D531,137 S * | 10/2006 | Wu | | D13/168 |
| D573,548 S * | 7/2008 | Chouji | | D13/168 |
| D591,731 S * | 5/2009 | Lee | | D14/218 |
| D608,304 S * | 1/2010 | Alexanderson | | D13/168 |

| | | | | |
|-------------------|---------|---------|-------|--------------------------|
| D610,553 S * | 2/2010 | Makela | | D13/162 |
| D612,339 S * | 3/2010 | Braun | | D13/168 |
| D656,487 S * | 3/2012 | Corsini | | D14/218 |
| D661,282 S * | 6/2012 | Tatara | | D14/218 |
| D708,590 S * | 7/2014 | Zhang | | D13/168 |
| D719,471 S * | 12/2014 | Gnauck | | D10/78 |
| D741,816 S * | 10/2015 | Kroll | | D13/168 |
| D813,062 S * | 3/2018 | He | | D10/70 |
| D838,195 S * | 1/2019 | Wu | | D10/78 |
| D979,569 S * | 2/2023 | Sundh | | D14/413 |
| D1,023,962 S * | 4/2024 | Xie | | D10/77 |
| 2011/0288954 A1 * | 11/2011 | Bertosa | | G06Q 30/0639 701/31.4 |

OTHER PUBLICATIONS

Solar Airport Lights Wireless Remote Controller, May 29, 2020, 1 pg.*

* cited by examiner

Primary Examiner — Selina Sikder

(74) *Attorney, Agent, or Firm* — Barry Choobin; Patent 360

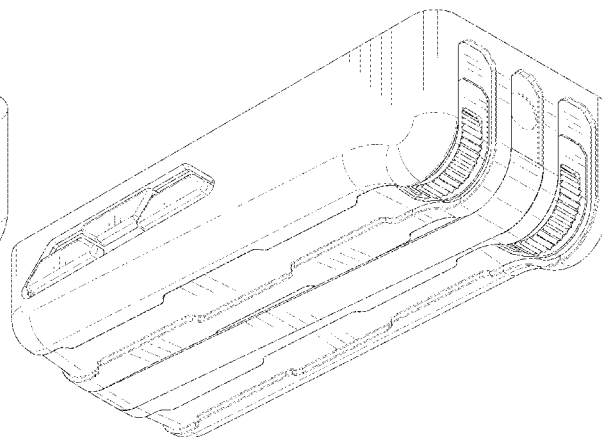
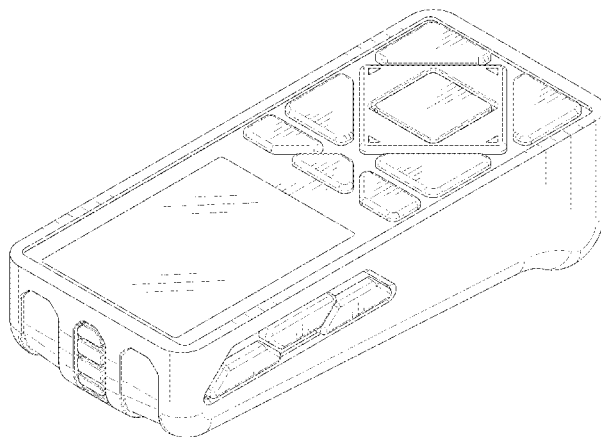
(57) **CLAIM**

The ornamental design for a handheld electronic controller, as shown and described.

DESCRIPTION

FIG. 1 is a perspective view of a handheld electronic controller, showing our new design; FIG. 2 is another perspective view thereof; FIG. 3 is a front view thereof; FIG. 4 is a rear view thereof; FIG. 5 is a right side view thereof; FIG. 6 is a left side view thereof; FIG. 7 is a top view thereof; and, FIG. 8 is a bottom view thereof. The broken lines depict portions of the handheld electronic controller that form no part of the claimed design.

1 Claim, 7 Drawing Sheets



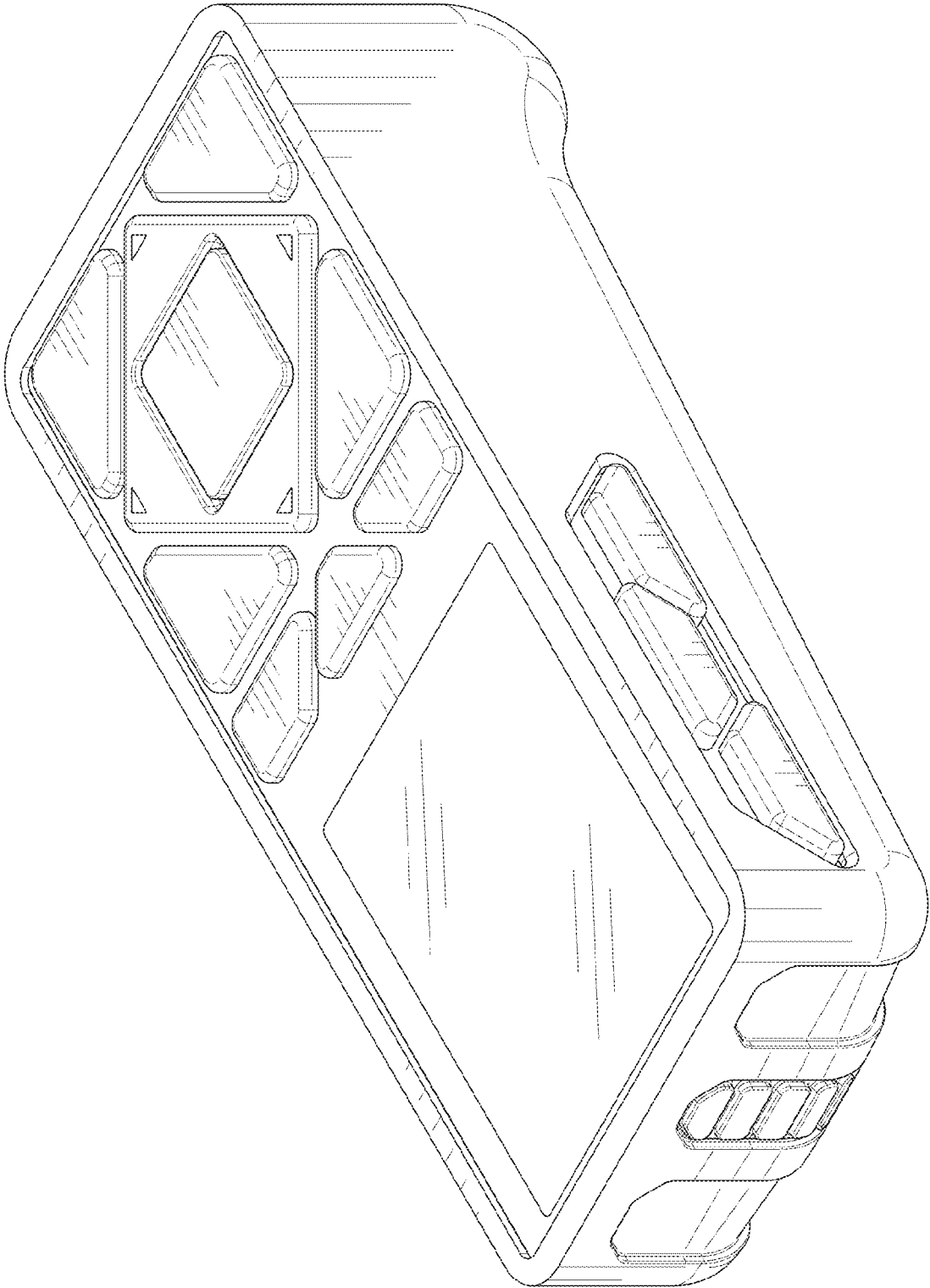


FIG. 1

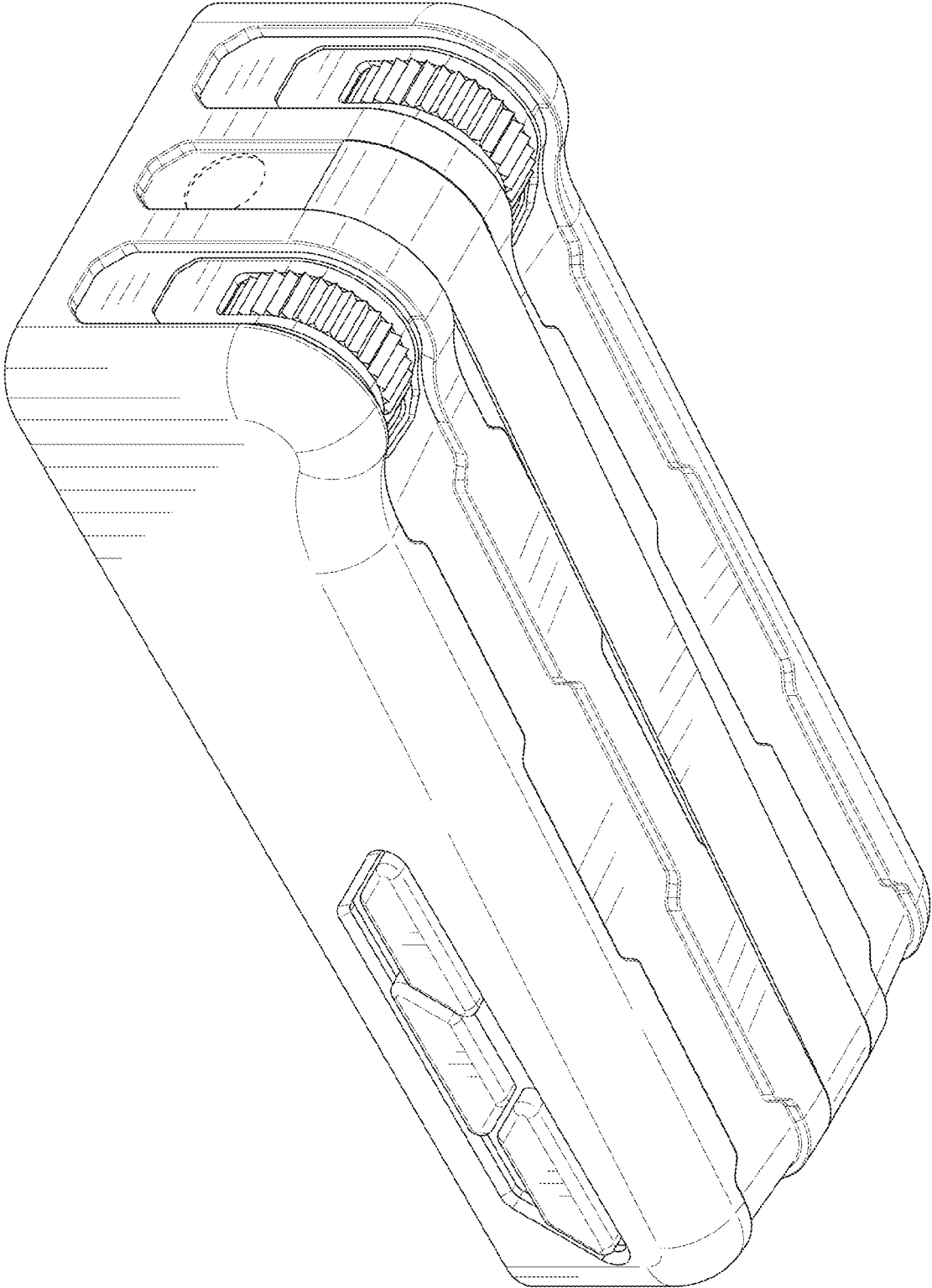


FIG. 2

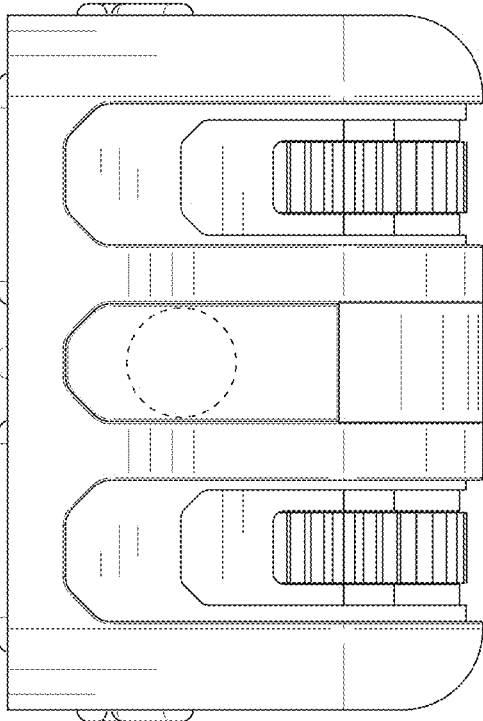


FIG. 4

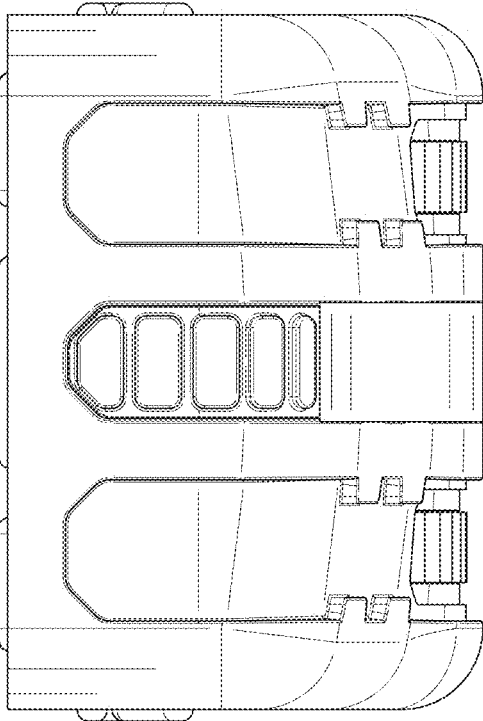


FIG. 3

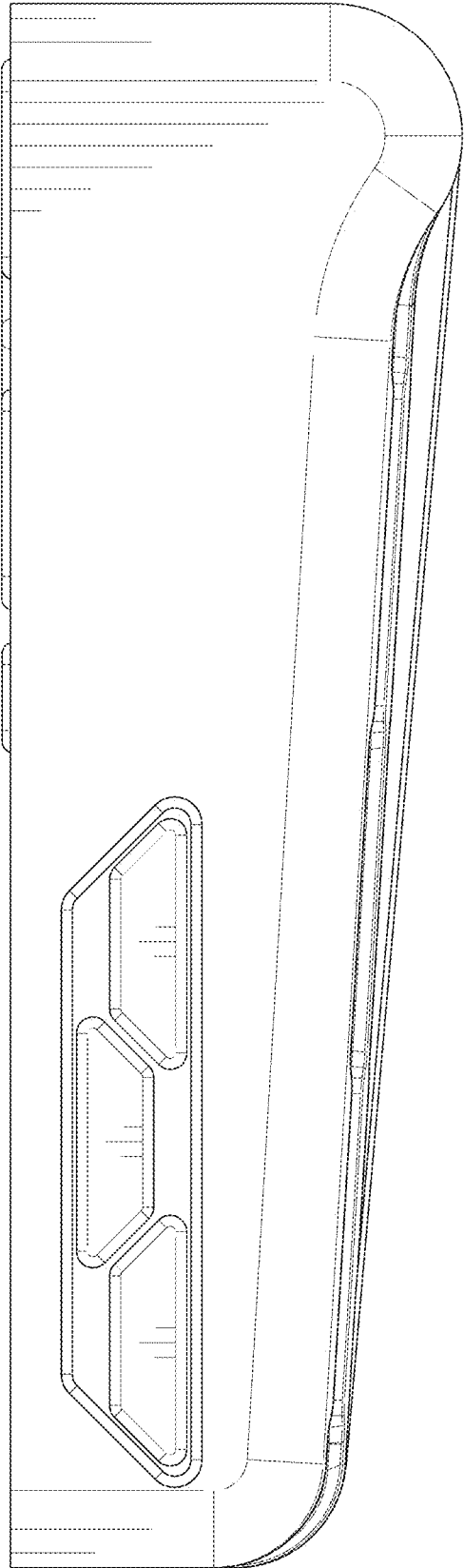


FIG. 5

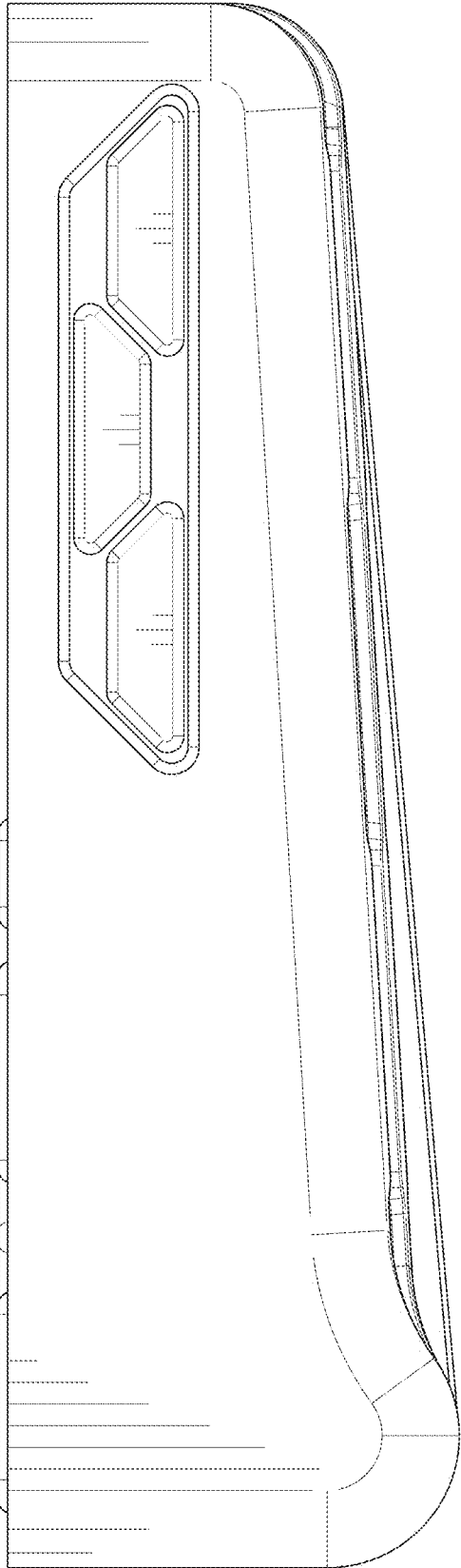


FIG. 6

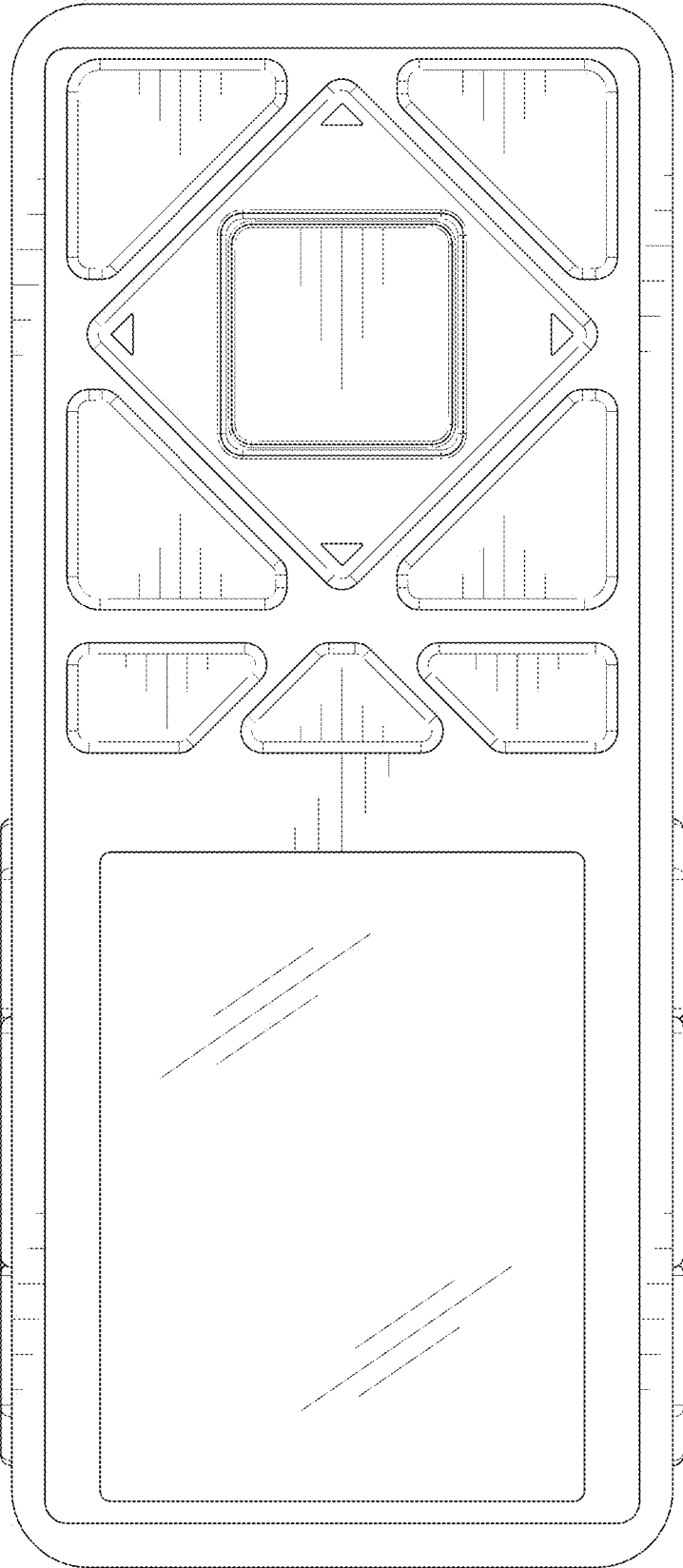


FIG. 7

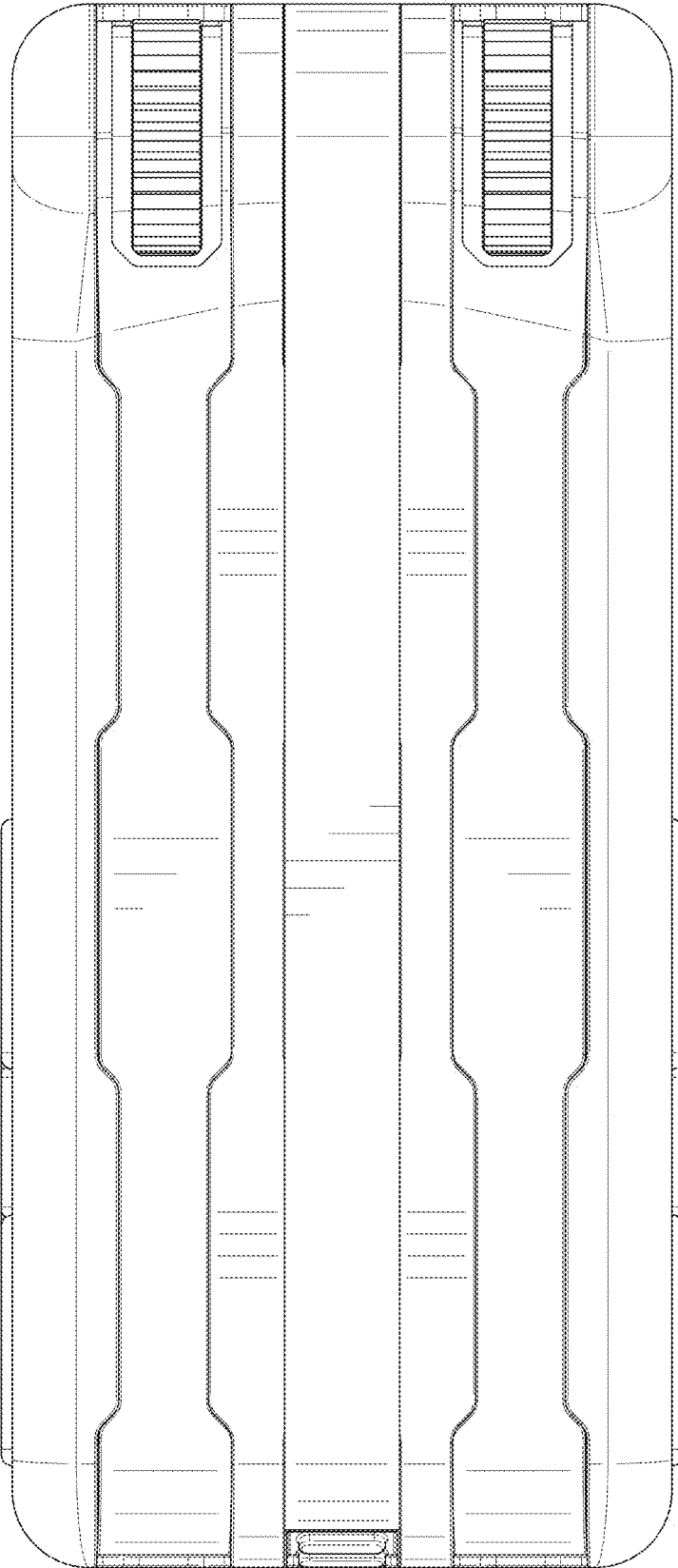


FIG. 8