



US0D1049968S

(12) **United States Design Patent** (10) **Patent No.:** **US D1,049,968 S**
Bonhoff (45) **Date of Patent:** **** Nov. 5, 2024**

(54) **COWL INDUCTION HOOD**
(71) Applicant: **Craig F Bonhoff**, Oxford, GA (US)
(72) Inventor: **Craig F Bonhoff**, Oxford, GA (US)
(**) Term: **15 Years**
(21) Appl. No.: **29/835,086**
(22) Filed: **Apr. 15, 2022**
(51) **LOC (14) Cl.** **12-08**
(52) **U.S. Cl.**
USPC **D12/173**
(58) **Field of Classification Search**
USPC D12/86, 90, 91, 92, 93, 173
CPC B62D 25/08; B62D 25/10; B62D 25/12;
B62D 25/102; Y10S 292/14
See application file for complete search history.

D890,044 S * 7/2020 Heinemann D12/173
D915,251 S * 4/2021 Langhals D12/173
D958,708 S * 7/2022 Liu D12/173
D971,083 S * 11/2022 Ohkoshi D12/92

FOREIGN PATENT DOCUMENTS

CN 202030524352.3 * 10/2021
CN 202330294581.4 * 11/2023

(Continued)

OTHER PUBLICATIONS

Hemmings, posted Sep. 23, 2018 [online], [retrieved Aug. 25, 2023]. Retrieved from internet, <https://www.hemmings.com/stories/article/more-than-meets-the-eye> (Year: 2018).*

(Continued)

Primary Examiner — Garth Rademaker

Assistant Examiner — Aaron C Fowler

(74) *Attorney, Agent, or Firm* — Barry Choobin; Patent 360

(56) **References Cited**

U.S. PATENT DOCUMENTS

D353,124 S * 12/1994 Benningfield D12/173
D385,242 S * 10/1997 Grabo D12/173
D499,992 S * 12/2004 Chan D12/173
D502,902 S * 3/2005 Chiang D12/173
D510,305 S * 10/2005 Chiang D12/173
D512,004 S * 11/2005 Hutchins D12/173
D514,483 S * 2/2006 Chiang D12/173
D529,420 S * 10/2006 Chiang D12/173
D548,151 S * 8/2007 Chiang D12/173
D623,100 S * 9/2010 Bimbi D12/173
D623,570 S * 9/2010 Hamburger D12/173
D735,098 S * 7/2015 Chiang D12/173
D755,080 S * 5/2016 Vardis D12/92
D823,753 S * 7/2018 Stone D12/173
D838,639 S * 1/2019 Zeng D12/173
D840,886 S * 2/2019 Schittko D12/188
D851,541 S * 6/2019 Pinazzo D12/91
D871,265 S * 12/2019 LaViolette D12/92
D872,653 S * 1/2020 Kohrman D12/92

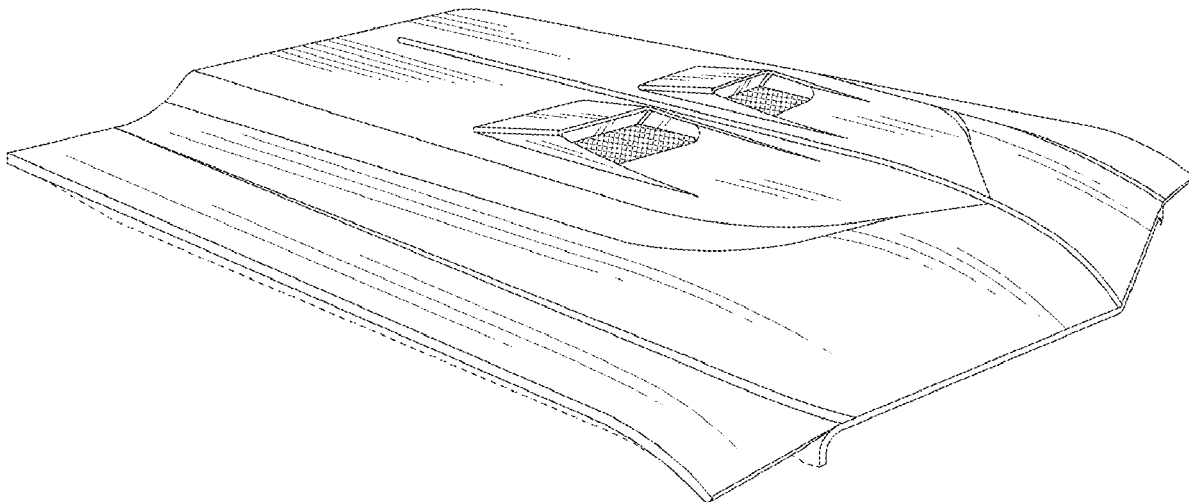
(57) **CLAIM**

The ornamental design for a cowl induction hood, as shown and described.

DESCRIPTION

FIG. 1 is a perspective view of a cowl induction hood, showing my new design;
FIG. 2 is a front view thereof;
FIG. 3 is a rear view thereof;
FIG. 4 is a right side view thereof;
FIG. 5 is a left side view thereof;
FIG. 6 is a top view thereof; and,
FIG. 7 is a bottom view thereof.
The broken lines depict portions of the article that form no part of the claimed design.

1 Claim, 7 Drawing Sheets



(56)

References Cited

FOREIGN PATENT DOCUMENTS

NZ	404863	*	3/2005
NZ	409314	*	10/2007

OTHER PUBLICATIONS

JLFab, posting date N/A [online], [retrieved Aug. 25, 2023]. Retrieved from internet, <https://jlfabrication.com/products/88-98-chevy-gmc-truck-2-ram-air-scoop-cowl-induction-hood-premium-grade> (Year: 2023).*

SuperBee, posting date N/A [online], [retrieved Aug. 25, 2023]. Retrieved from internet, https://cowlhoods.ca/contents/en-us/p326_proefx-c1088v3-steel-cowl-hood.html (Year: 2023).*

* cited by examiner

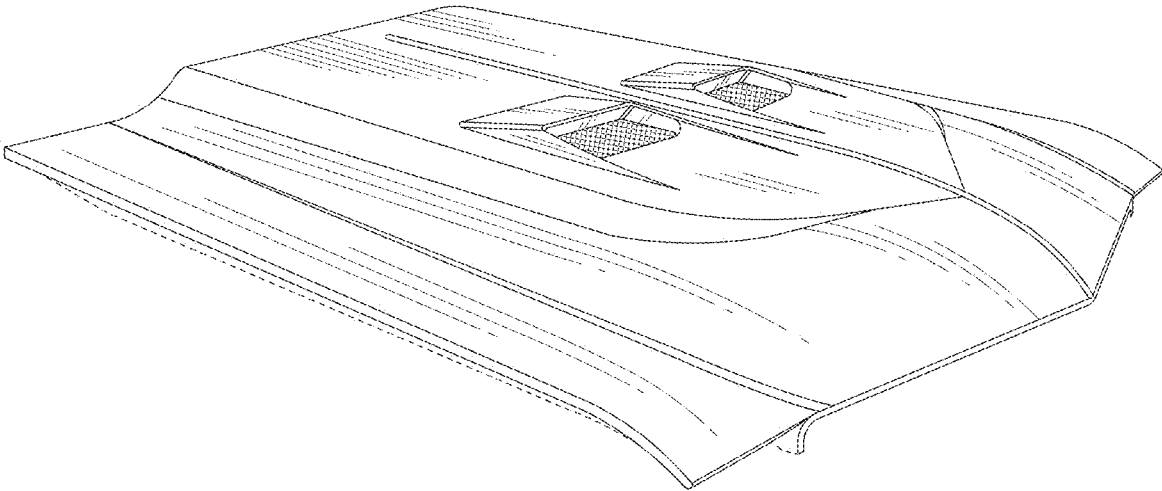


FIG.1

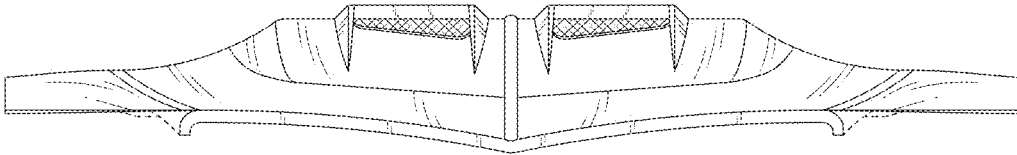


FIG.2

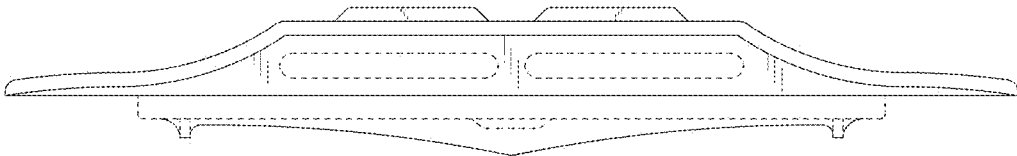


FIG.3

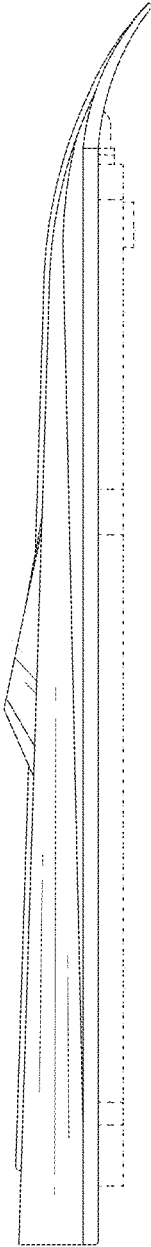


FIG. 4

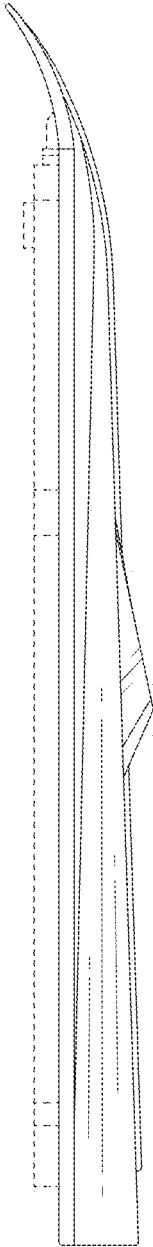


FIG. 5

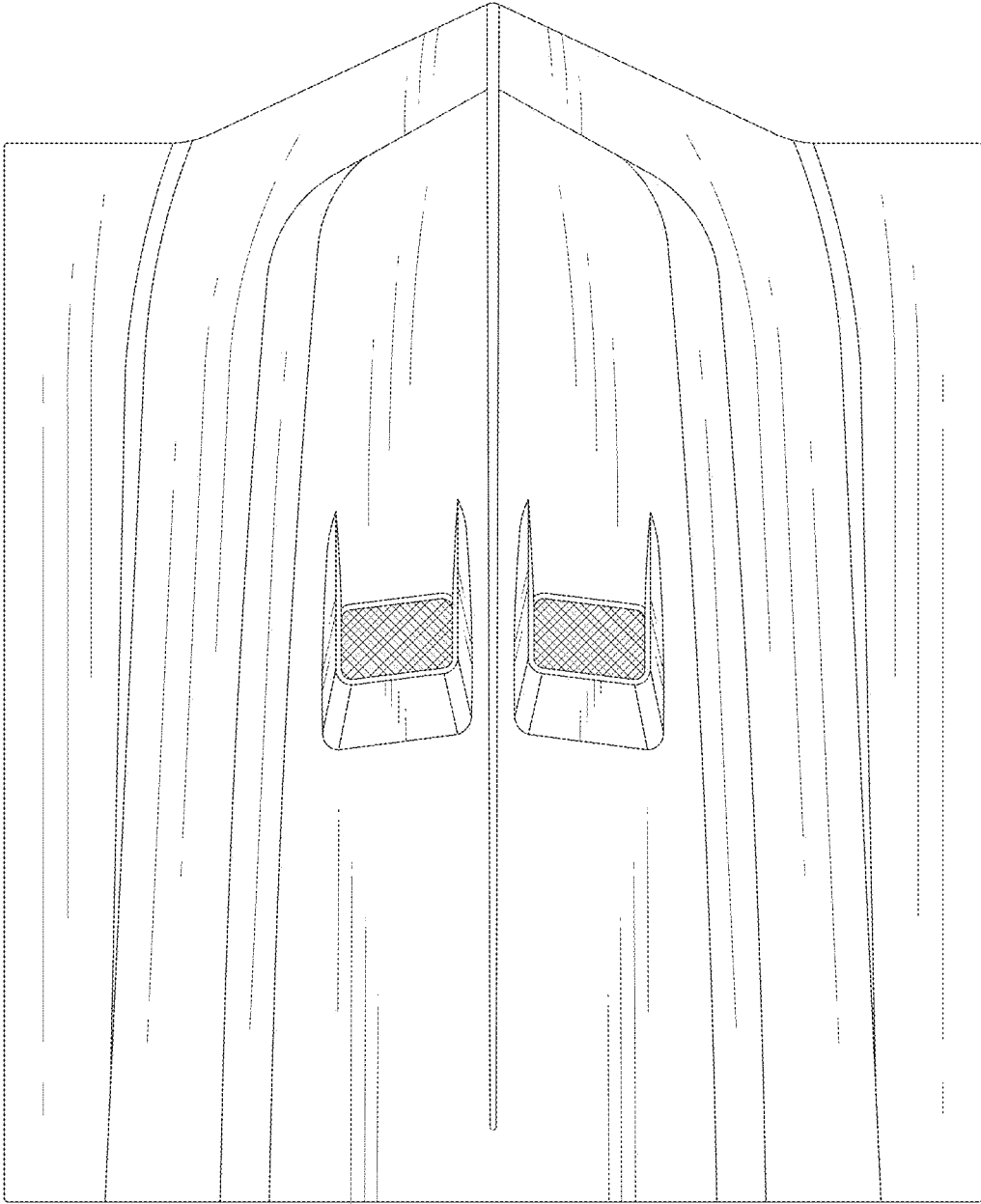


FIG.6

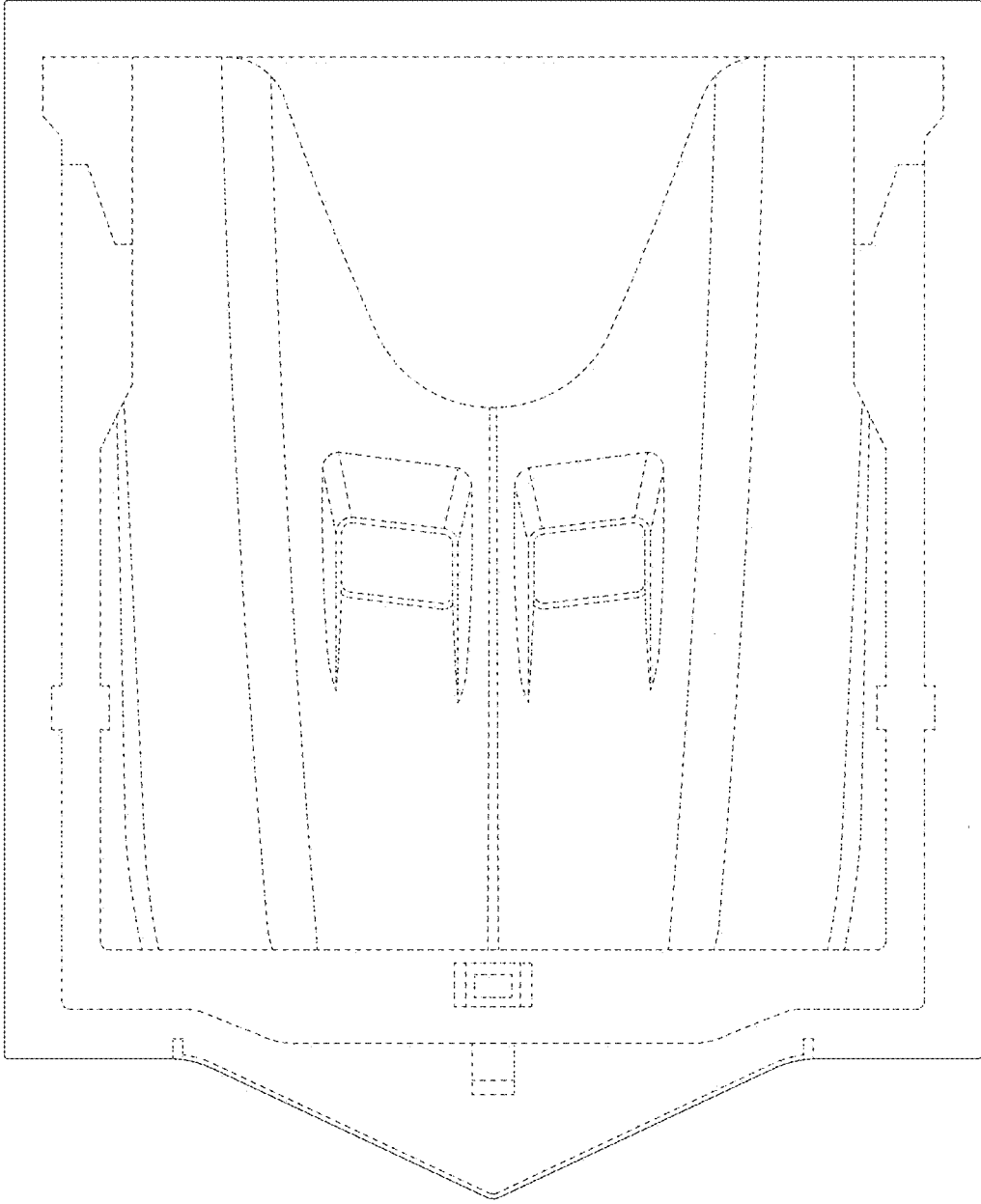


FIG.7