



US0D1054605S

(12) **United States Design Patent**
Nielsen et al.

(10) **Patent No.:** **US D1,054,605 S**

(45) **Date of Patent:** **** Dec. 17, 2024**

(54) **WINGTIP LIGHT FOR AIRCRAFT**

(71) Applicants: **Christian R Nielsen**, Palm Coast, FL
(US); **Daniel Stenko**, Drasov (CZ);
Juraj Petruna, Kosice (SK); **Martin**
Suvak, Kosice (SK)

(72) Inventors: **Christian R Nielsen**, Palm Coast, FL
(US); **Daniel Stenko**, Drasov (CZ);
Juraj Petruna, Kosice (SK); **Martin**
Suvak, Kosice (SK)

(**) Term: **15 Years**

(21) Appl. No.: **29/931,349**

(22) Filed: **Mar. 6, 2024**

(51) **LOC (14) Cl.** **26-06**

(52) **U.S. Cl.**
USPC **D26/28**

(58) **Field of Classification Search**
USPC D26/28, 29, 30, 31, 32, 33, 34, 35, 36,
D26/37, 38, 39, 139

CPC .. F21S 43/00; F21S 41/32; F21S 41/36; F21S
41/50; F21S 41/26; F21S 41/00; F21S
41/20; F21W 2102/00; F21W 2103/00;
F21W 2103/10; F21W 2104/00

See application file for complete search history.

(56) **References Cited**

U.S. PATENT DOCUMENTS

D639,502 S *	6/2011	Heilaneh	D26/139
D658,806 S *	5/2012	Huang	D26/139
D683,495 S *	5/2013	Yaffe	D26/139
D741,928 S *	10/2015	Huang	D26/38
D753,006 S *	4/2016	Deyaf	D26/37
D753,327 S *	4/2016	Miki	D26/37
D760,414 S *	6/2016	Brown	D26/37
D766,477 S *	9/2016	Ma	D26/37
D771,853 S *	11/2016	Ott	D26/37
D804,089 S *	11/2017	Dollar	D26/139
D828,939 S *	9/2018	Bo	D26/38

D855,227 S *	7/2019	Becker	D26/37
D868,359 S *	11/2019	del Rosario	D26/139
D869,033 S *	12/2019	Kim	D26/36
D880,764 S *	4/2020	He	D26/139
D902,459 S *	11/2020	Ni	D26/38
D903,172 S *	11/2020	Ni	D26/38
D922,636 S *	6/2021	Pierson	D26/37
D924,453 S *	7/2021	Guo	D26/37
D930,201 S *	9/2021	Shang	D26/37
D930,867 S *	9/2021	Ormsbee	D26/37
D936,878 S *	11/2021	Tran	D26/37
D940,935 S *	1/2022	Wojan	D26/37

(Continued)

OTHER PUBLICATIONS

Chief Aircraft, Blaze Wingtip Position LED Light Assembly, (date not available), online, (found Jul. 27, 2024), Found on Internet, URL: <https://www.chiefaircraft.com/aircraft/aircraft-lighting/whelen-led-sale/whl-95001-03.html>.*

Primary Examiner — Sheryl Lane

Assistant Examiner — Kathryn Elizabeth Chambers

(74) *Attorney, Agent, or Firm* — Barry Choobin; Patent
360

(57) **CLAIM**

The ornamental design for a wingtip light for aircraft, as shown and described.

DESCRIPTION

FIG. 1 is a perspective view of a wingtip light for aircraft, showing our new design;

FIG. 2 is a front view thereof;

FIG. 3 is a rear view thereof;

FIG. 4 is a right side view thereof;

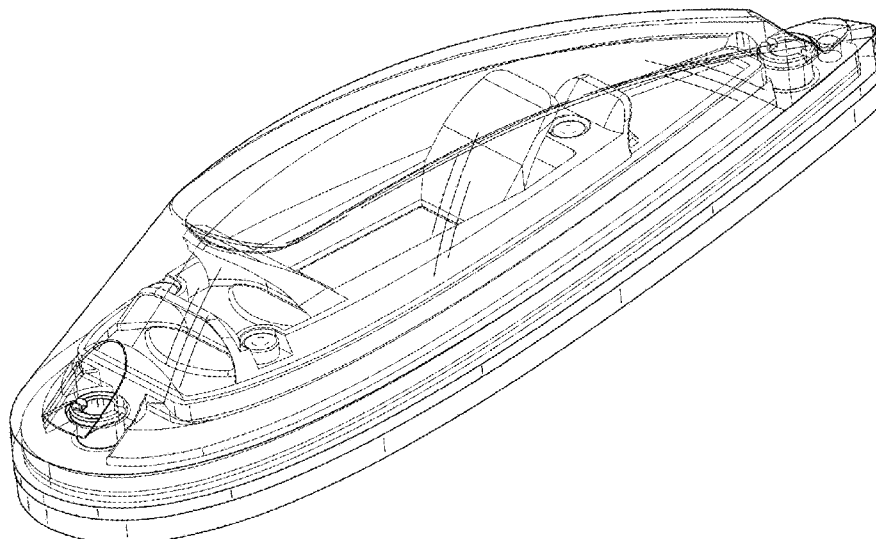
FIG. 5 is a left side view thereof;

FIG. 6 is a top view thereof; and,

FIG. 7 is a bottom view thereof.

The broken lines depict portions of the wingtip light for aircraft that form no part of the claimed design.

1 Claim, 7 Drawing Sheets



(56)

References Cited

U.S. PATENT DOCUMENTS

D949,443	S	*	4/2022	Liang	D26/37
D975,894	S	*	1/2023	Bian	D26/37
D1,005,537	S	*	11/2023	Zhu	D26/28
D1,005,545	S	*	11/2023	Lee	D26/80
D1,009,329	S	*	12/2023	Wu	D26/37
D1,012,344	S	*	1/2024	Yu	D26/85
D1,013,233	S	*	1/2024	Hong	D26/37
D1,018,926	S	*	3/2024	Xiao	D26/37
D1,024,410	S	*	4/2024	Ogura	D26/89
D1,027,285	S	*	5/2024	Conway	D26/139
D1,030,118	S	*	6/2024	Stanford	D26/76
D1,035,066	S	*	7/2024	Tian	D26/139

* cited by examiner

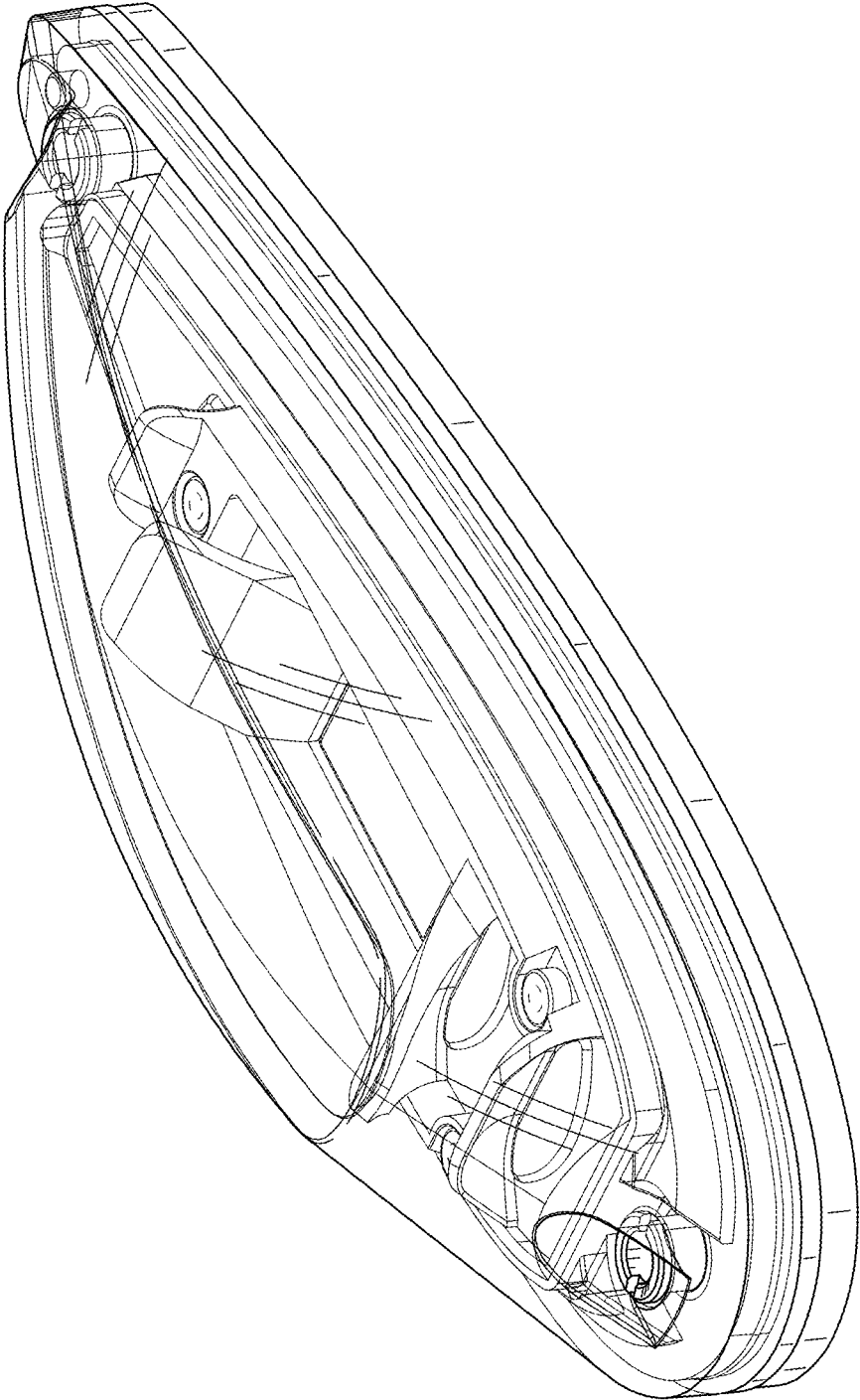


FIG. 1

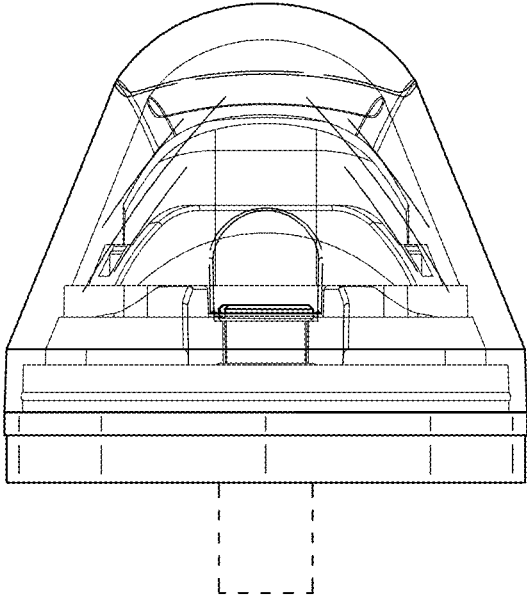


FIG. 2

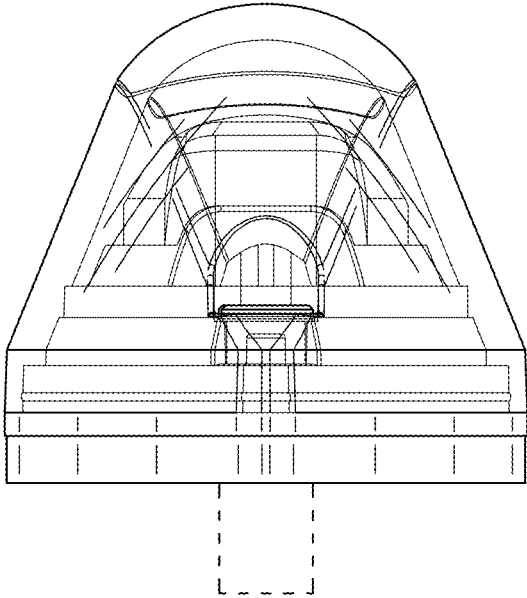


FIG. 3

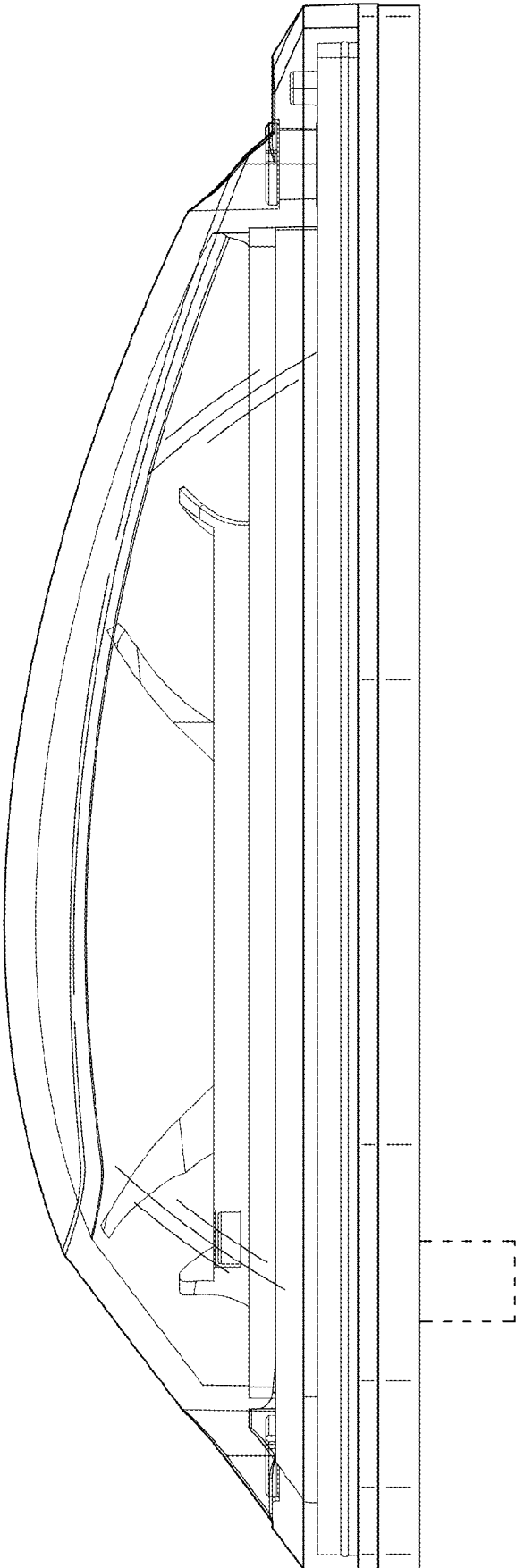


FIG. 4

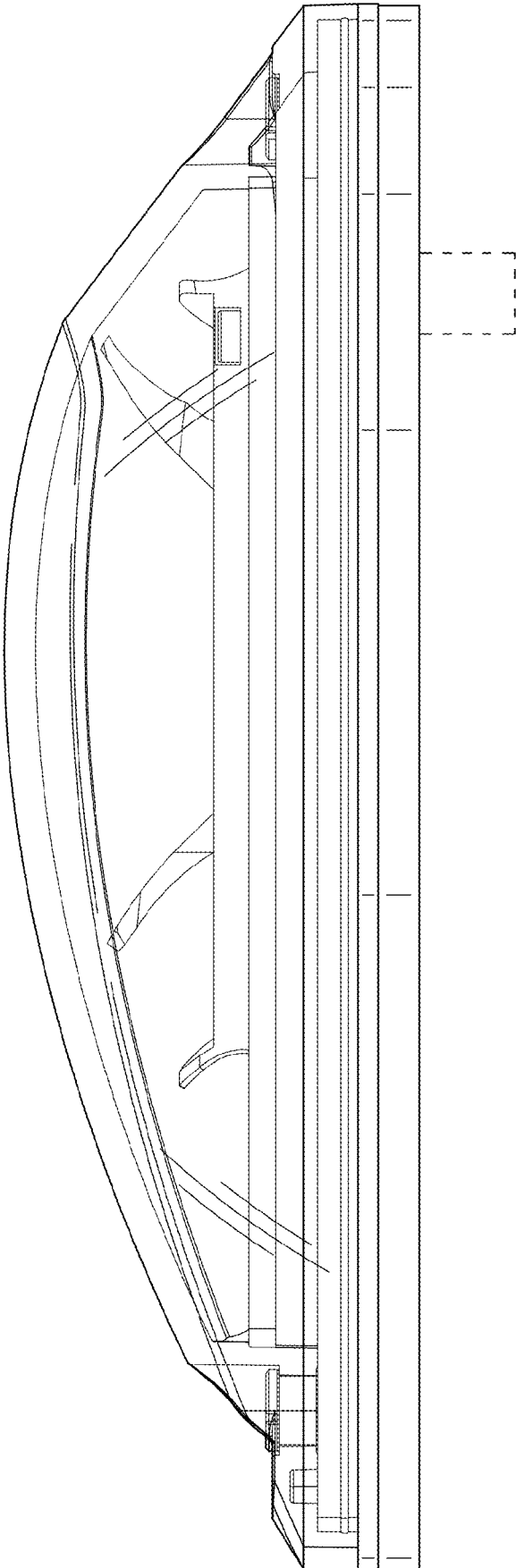


FIG. 5

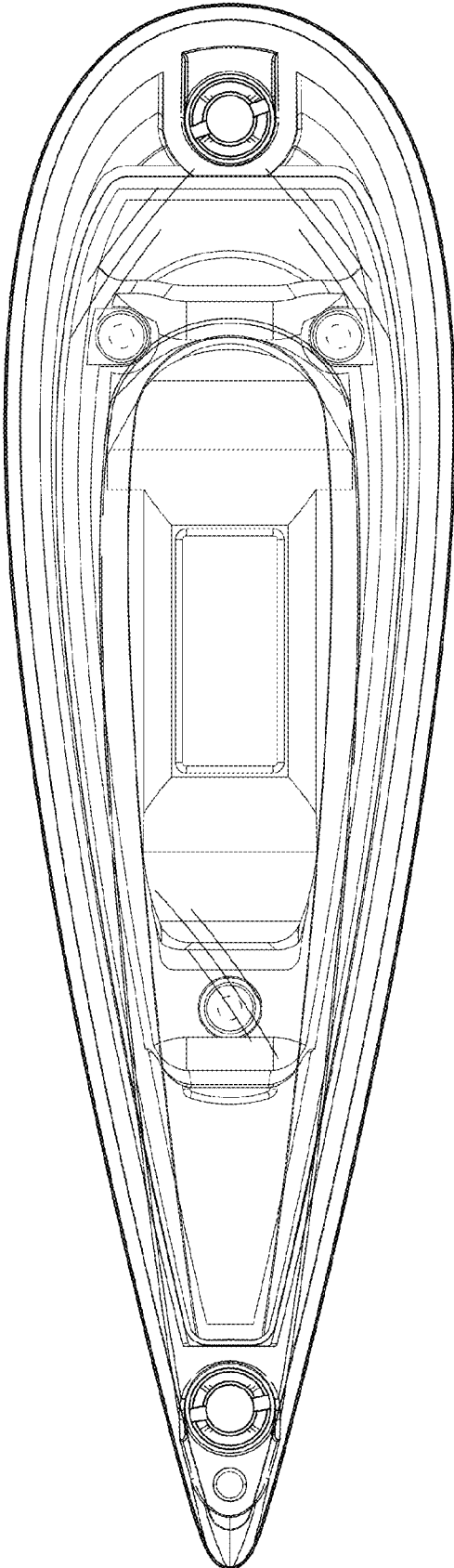


FIG. 6

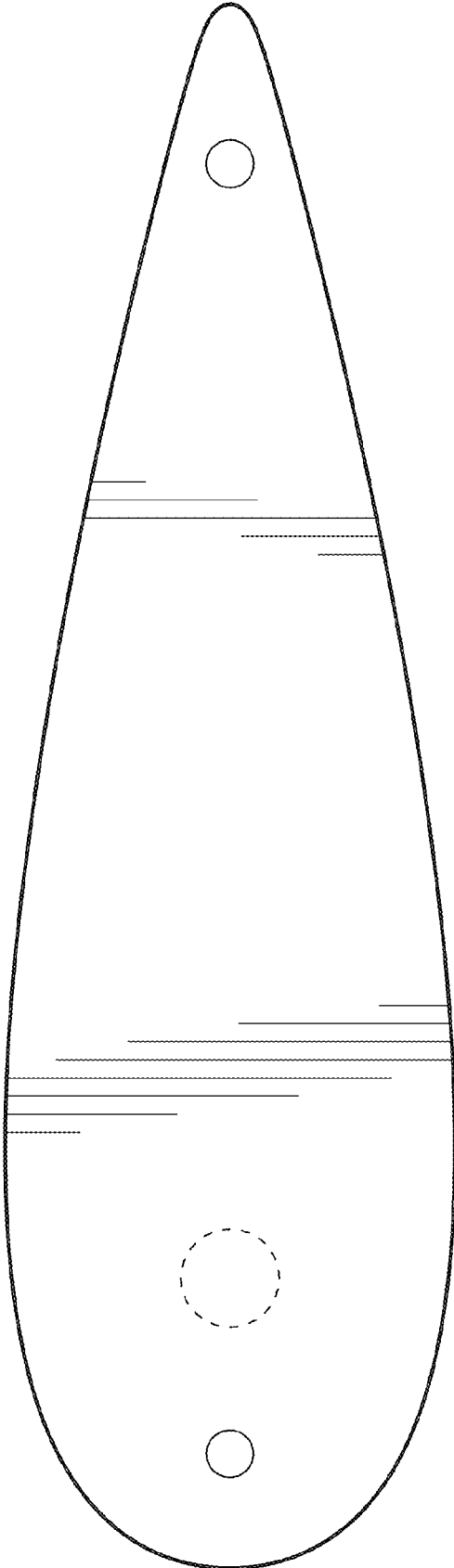


FIG. 7