



US0D1058378S

(12) **United States Design Patent**
Peer

(10) **Patent No.:** **US D1,058,378 S**

(45) **Date of Patent:** **** Jan. 21, 2025**

(54) **CONTAINER WITH AN ADDITIONAL COMPARTMENT**

(71) Applicant: **Roy Peer**, Riverview, FL (US)

(72) Inventor: **Roy Peer**, Riverview, FL (US)

(**) Term: **15 Years**

(21) Appl. No.: **29/946,761**

(22) Filed: **Jun. 11, 2024**

(51) **LOC (15) Cl.** **09-01**

(52) **U.S. Cl.** **D9/738**
USPC

(58) **Field of Classification Search**
USPC D3/226, 303, 304, 307, 308, 309, 310,
D3/313, 315, 316; D9/738
CPC A47G 19/2288; A47J 43/046; A47J 43/27;
B05B 11/0081; B05B 11/0089; B65D
1/0223; B65D 21/0231; B65D 21/0237;
B65D 71/40; B65D 71/406; B65D 71/42;
B65D 71/44; B65D 71/46; B65D 71/48;
B65D 71/50; B65D 71/504; B65D 71/70
See application file for complete search history.

(56) **References Cited**

U.S. PATENT DOCUMENTS

D199,413 S *	10/1964	Levinson	D7/608
3,348,716 A	10/1967	Yuichi	
5,957,340 A *	9/1999	Sawicki	B65D 1/326 222/211
D507,174 S *	7/2005	Katz	D9/738
D541,175 S *	4/2007	Burns	D9/743
D565,252 S *	3/2008	Fick	D30/132
D648,631 S *	11/2011	Smith	D9/543
D709,387 S	7/2014	Marina et al.	
8,857,636 B2	10/2014	Sullivan	
D743,806 S *	11/2015	Lang	D9/684
D762,485 S *	8/2016	Facer	D9/744

D856,083 S	8/2019	Lawson-Shanks et al.	
D911,846 S	3/2021	Van Den Heijkant	
D1,005,124 S *	11/2023	Peer	D9/738
D1,005,125 S *	11/2023	Peer	D9/738
D1,005,126 S *	11/2023	Peer	D9/738
D1,006,637 S *	12/2023	Peer	D9/738

(Continued)

OTHER PUBLICATIONS

“Yesland 2 Pcs White Plastic Gallon Jar with Handle and Airtight Lid”, [Posted Online on amazon.com], [First Available Date on Oct. 28, 2021], [Retrieved Online on Sep. 20, 2024], <https://www.amazon.com/Yesland-Plastic-Gallon-Handle-Airtight/dp/B09KKZ3Q3T/> (Year: 2021).*

(Continued)

Primary Examiner — Bao-Yen T Nguyen
Assistant Examiner — Christopher John Suarez La Rosa
(74) *Attorney, Agent, or Firm* — Barry Choobin; Patent 360

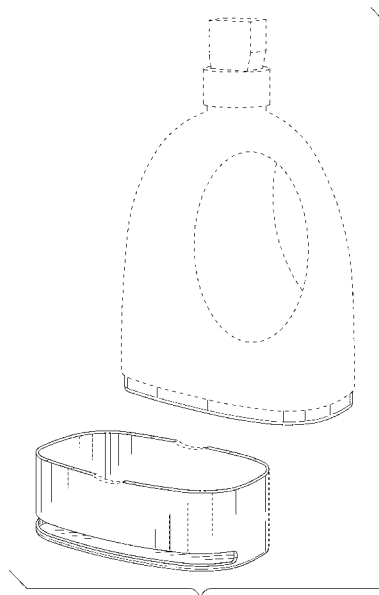
(57) **CLAIM**

The ornamental design for a container with an additional compartment, as shown and described.

DESCRIPTION

FIG. 1 is a perspective view of a container with an additional compartment, showing my new design; FIG. 2 is a front view thereof; FIG. 3 is a rear view thereof; FIG. 4 is a right side view thereof; FIG. 5 is a left side view thereof; FIG. 6 is a top view thereof; FIG. 7 is a bottom view thereof; and, FIG. 8 is a perspective view in which the additional compartment is shown attached to the container. The broken lines depict portions of the container with an additional compartment that form no part of the claimed design.

1 Claim, 8 Drawing Sheets



(56)

References Cited

U.S. PATENT DOCUMENTS

2014/0001179 A1* 1/2014 Prero G01F 19/002
73/426

OTHER PUBLICATIONS

“Laundry Jar Refillable Laundry Detergent Bottle”, [Posted Online on amazon.ae], [First Available Date Jan. 20, 2023], [Retrieved Online on Sep. 20, 2024], <https://www.amazon.ae/Refillable-Detergent-Transparent-Dispenser-Container/dp/B0BB23Q99> (Year: 2023).*

“[2 Pack] Liquid Laundry Detergent Dispenser”, [Posted Online on amazon.com], [First Available Date Apr. 7, 2024], [Retrieved Online on Sep. 20, 2024], <https://www.amazon.com/Laundry-Detergent-Dispenser-Organization-Containers/dp/B0D12V9J7Q?th=1> (Year: 2024).*

“Vundo [3 Pack] Liquid Laundry Detergent Dispenser”, [Posted Online on amazon.ca], [First Available Date Mar. 26, 2023], [Retrieved Online on Sep. 20, 2024], <https://www.amazon.ca/Detergent-Dispenser-Organization-Containers-Removable/dp/B0BXJ989DR?th=1> (Year: 2023).*

* cited by examiner

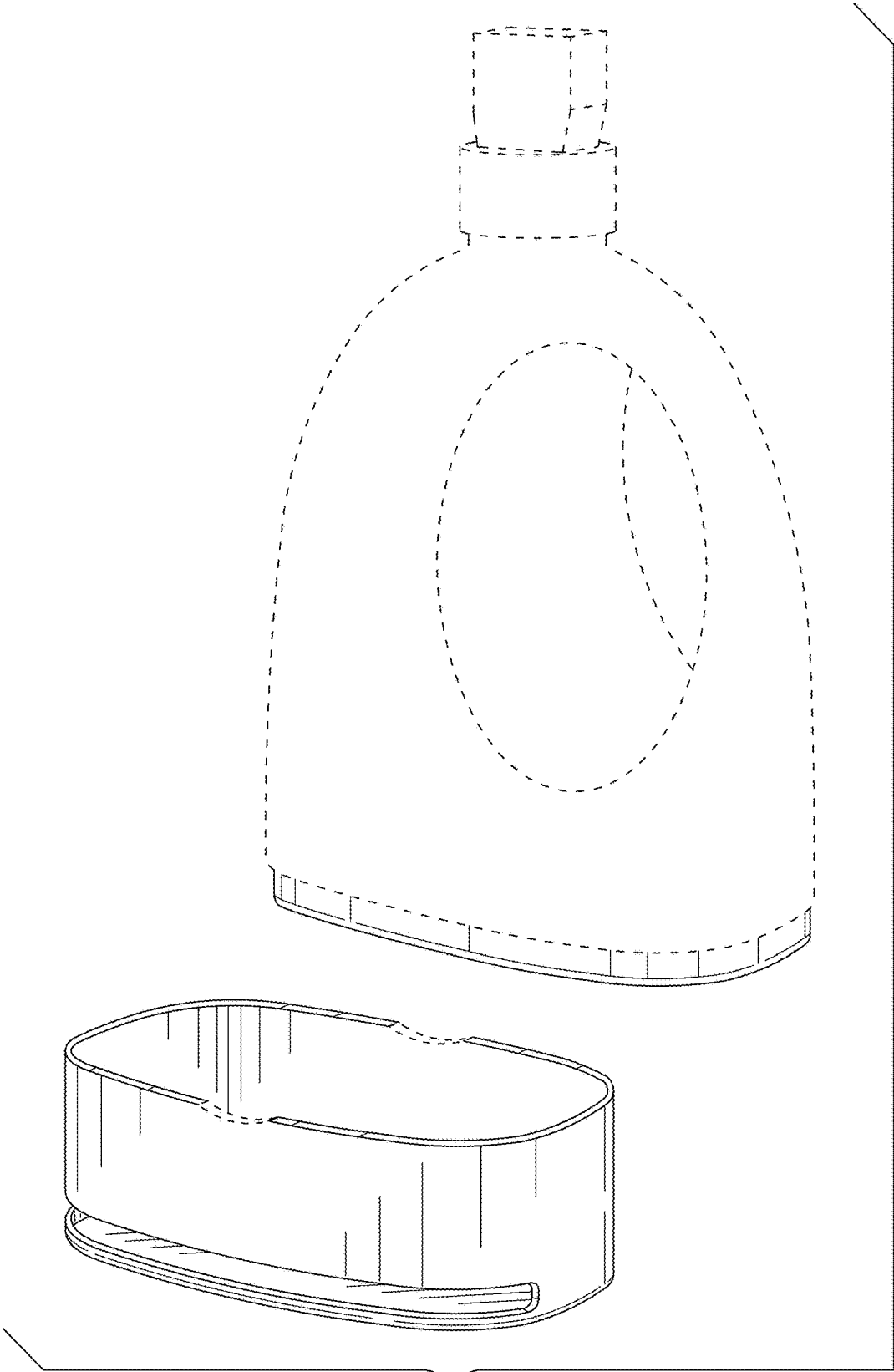


FIG. 1

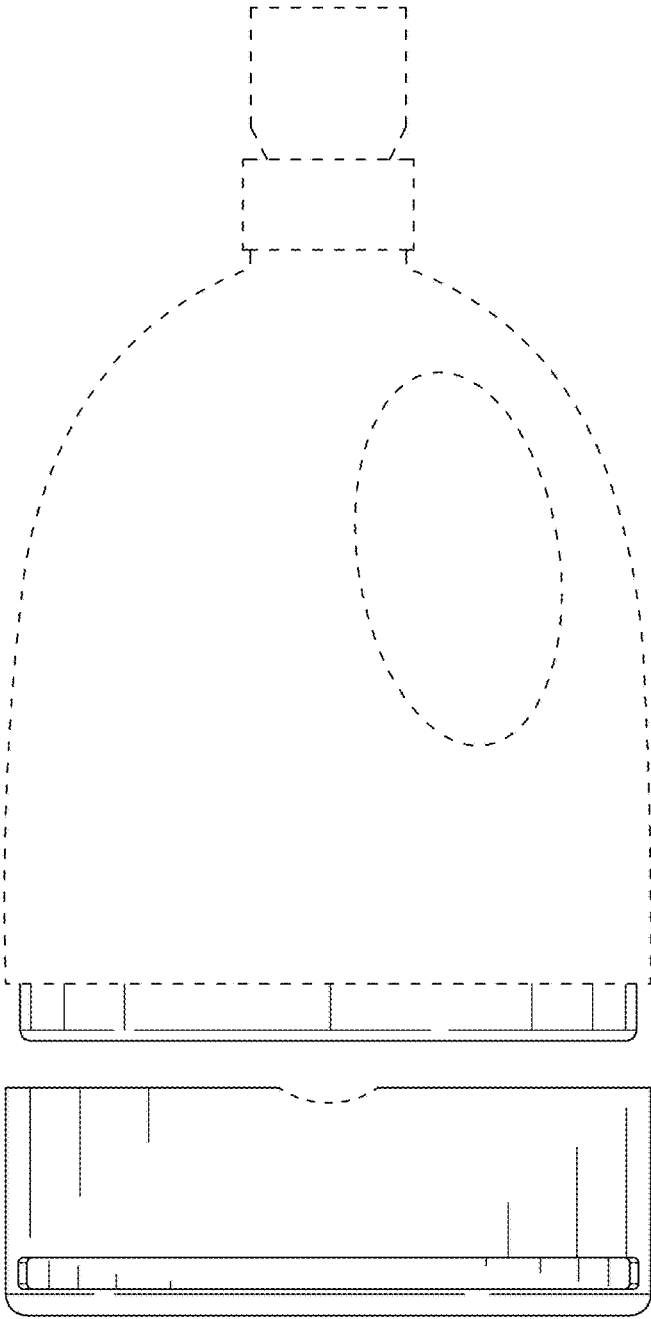


FIG. 2

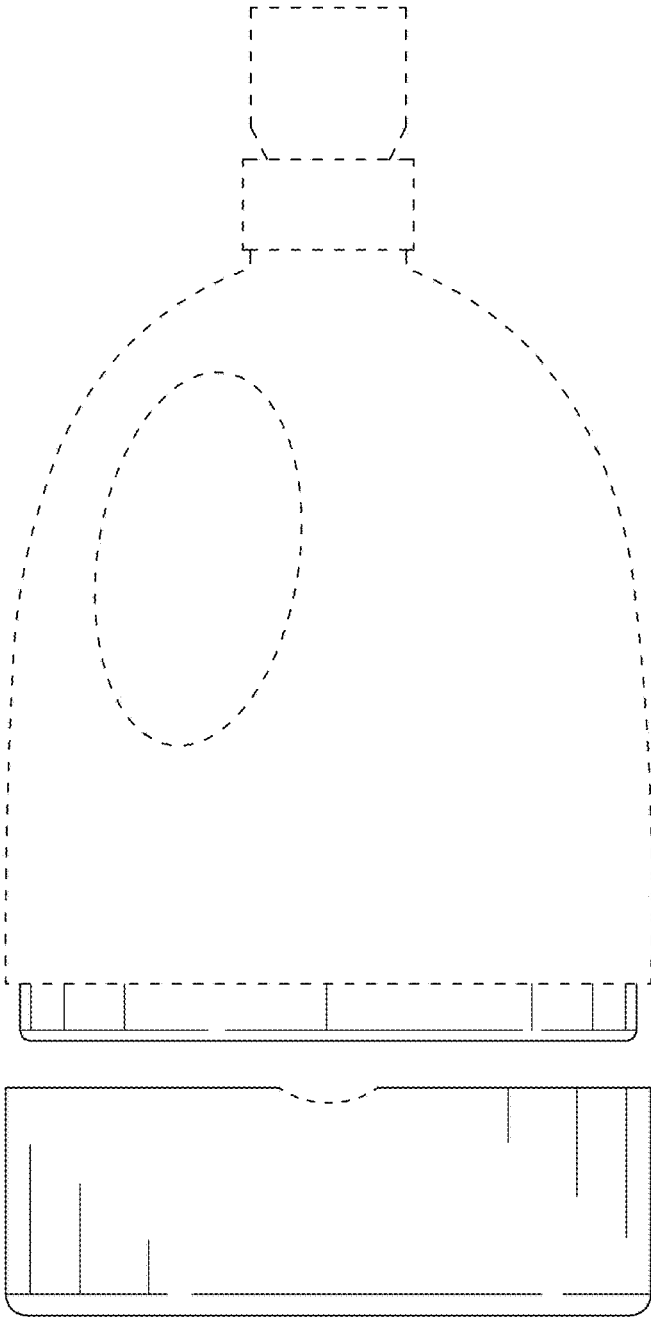


FIG. 3

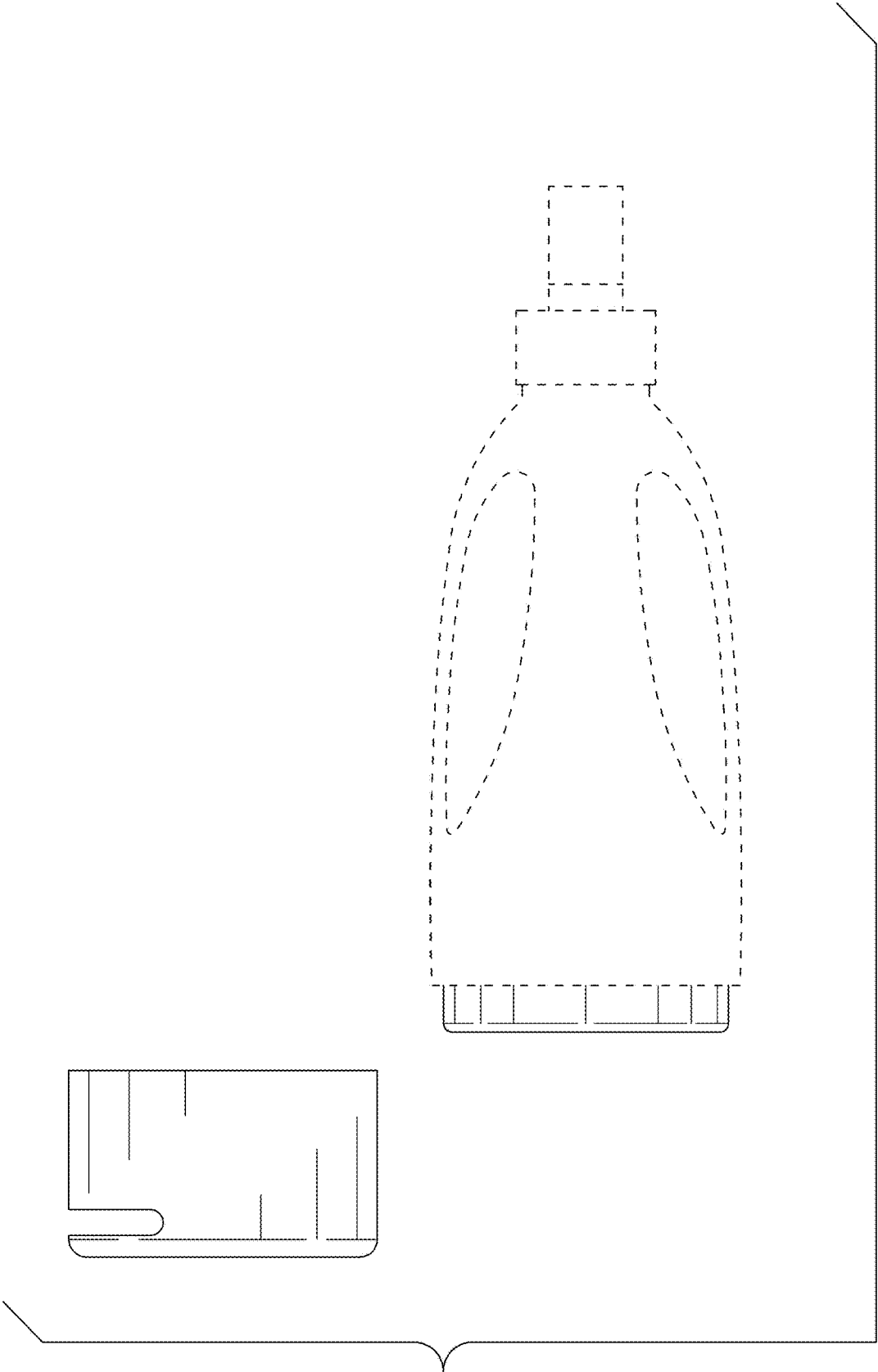


FIG. 4

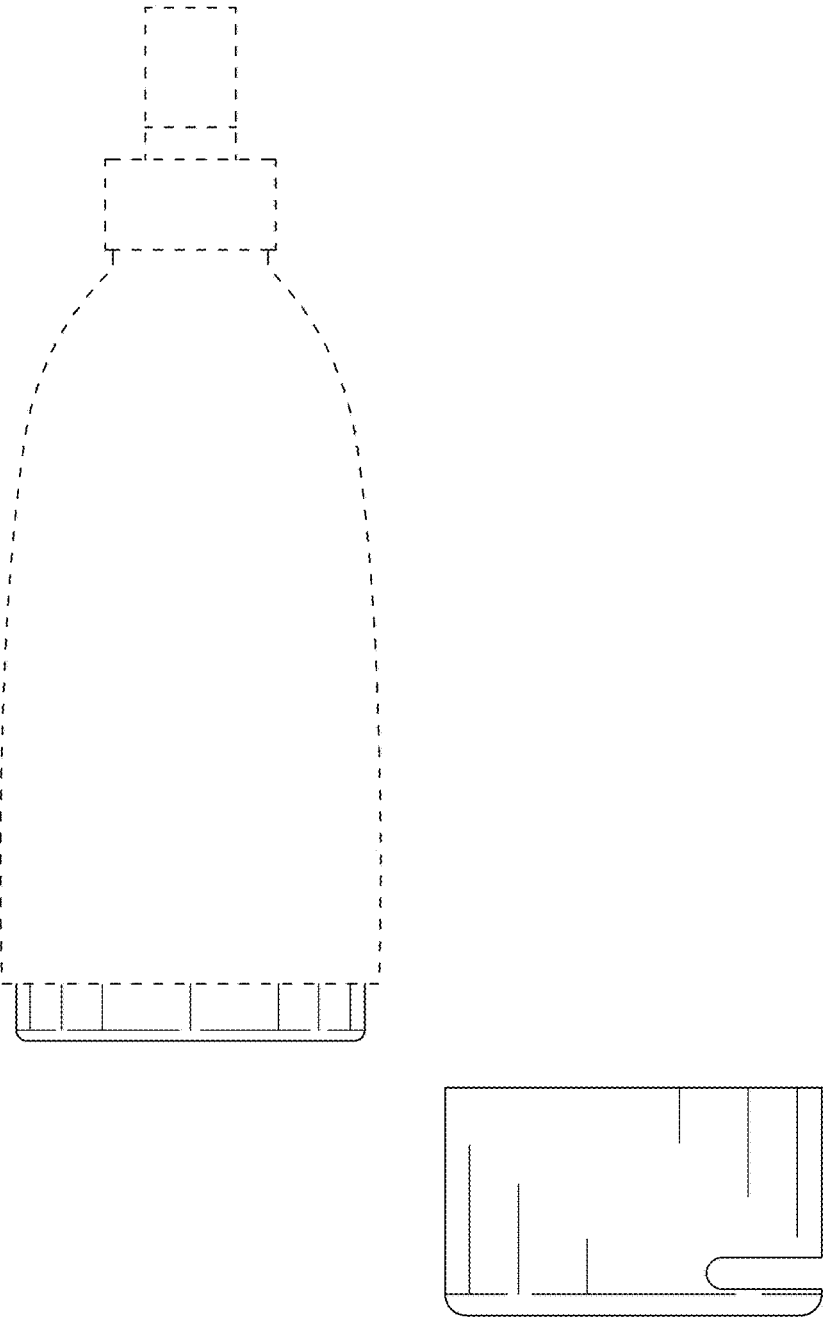


FIG. 5

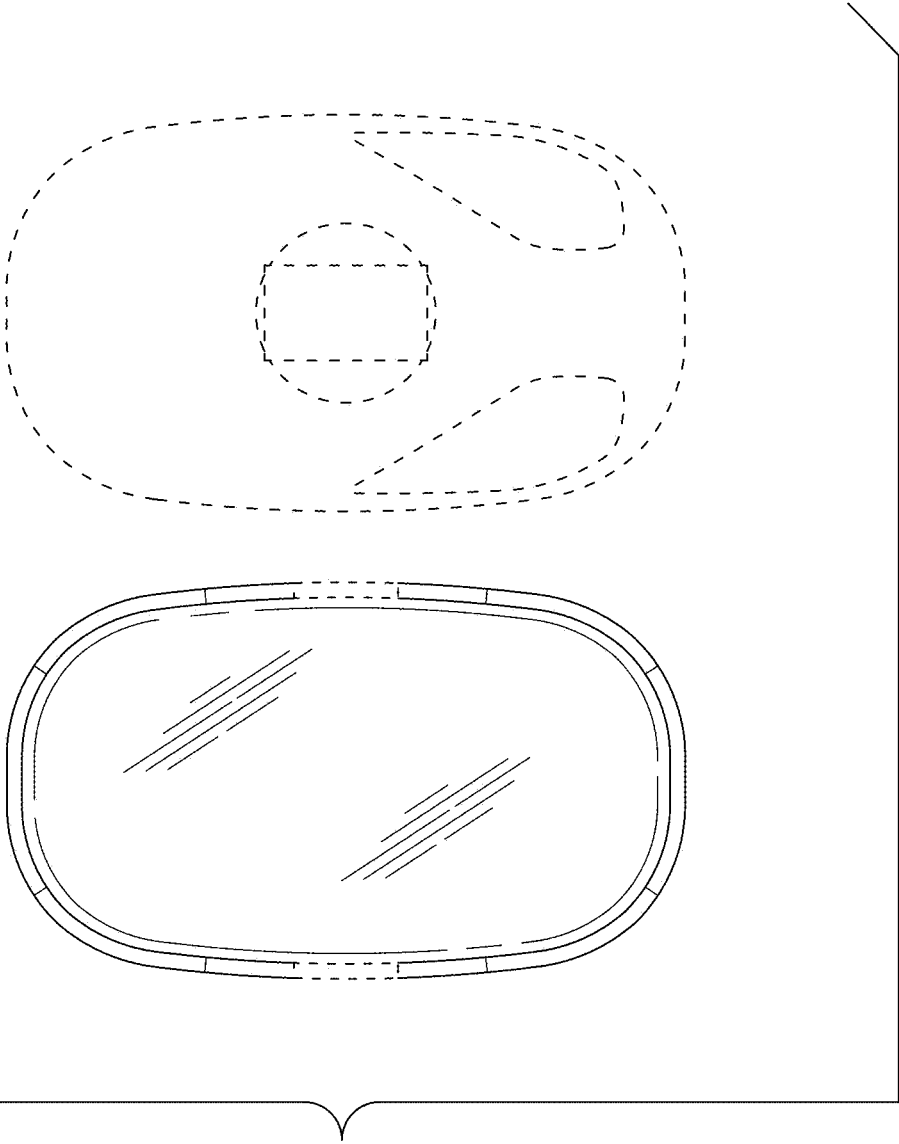


FIG. 6

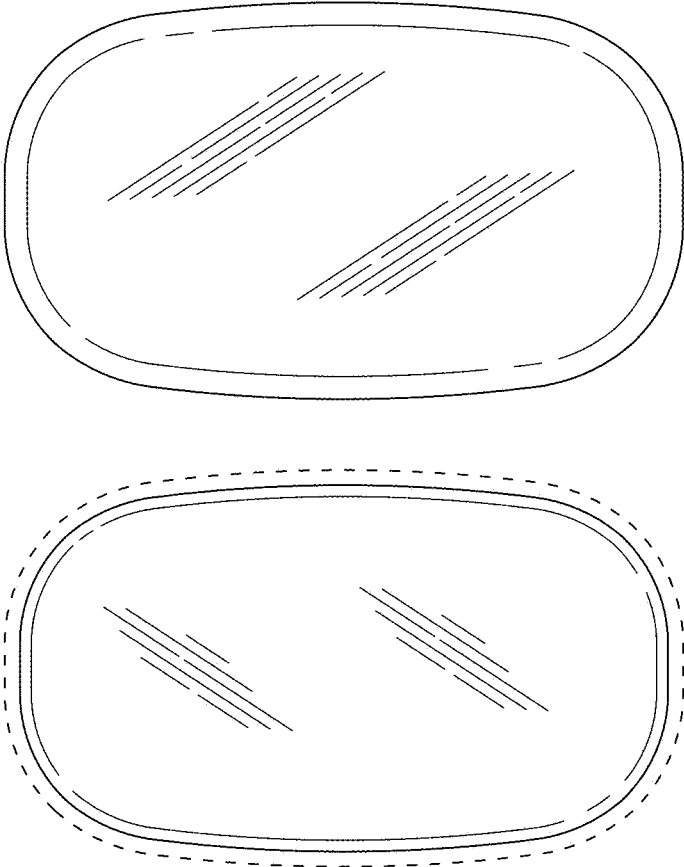


FIG. 7

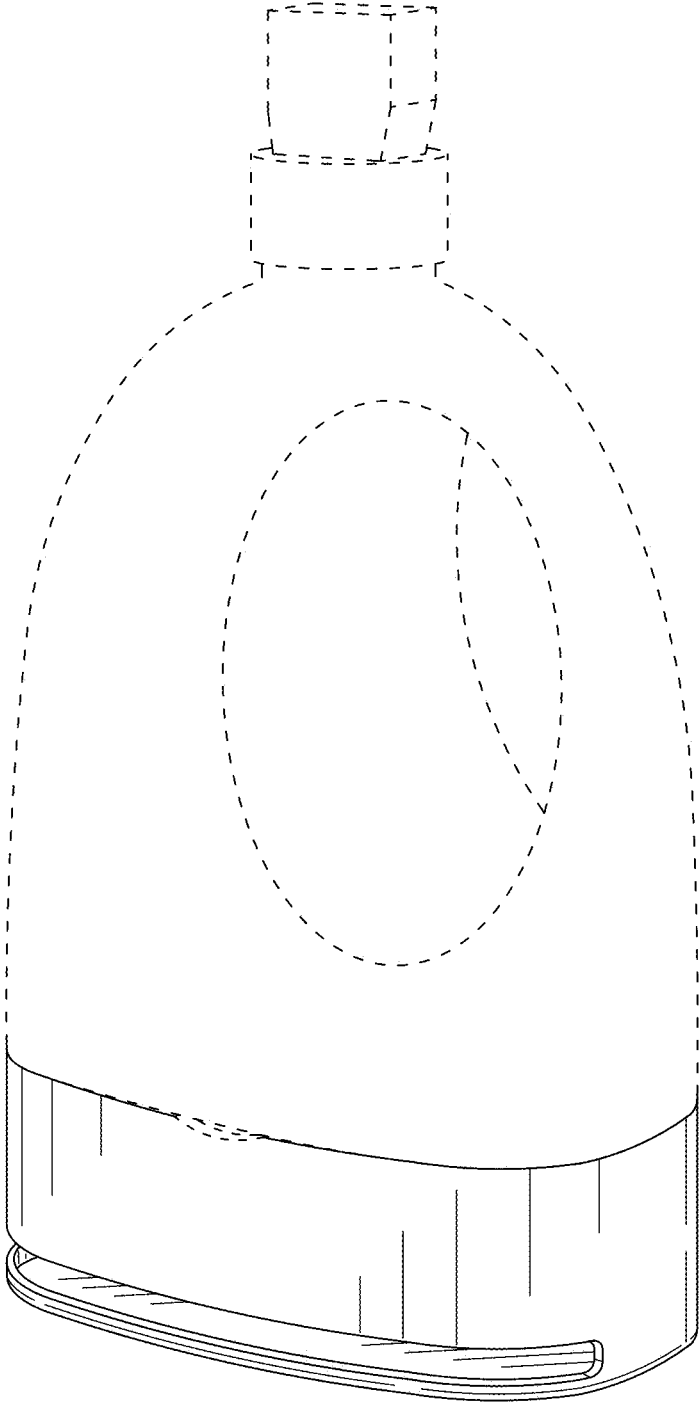


FIG. 8