



US0D1060651S

(12) **United States Design Patent**  
**Zelcer**

(10) **Patent No.:** **US D1,060,651 S**

(45) **Date of Patent:** **\*\* Feb. 4, 2025**

(54) **EAR PLUG**

(71) Applicant: **Adam Zelcer**, Melbourne (AU)

(72) Inventor: **Adam Zelcer**, Melbourne (AU)

(\*\*) Term: **15 Years**

(21) Appl. No.: **29/971,843**

(22) Filed: **Nov. 6, 2024**

(51) **LOC (15) Cl.** ..... **24-01**

(52) **U.S. Cl.**  
USPC ..... **D24/106**

(58) **Field of Classification Search**  
USPC ..... D24/106, 112, 173, 174, 231; D29/112;  
D14/233  
CPC ..... A61F 11/08; A61F 11/085; A61M  
2210/0662; H05B 47/12  
See application file for complete search history.

(56) **References Cited**

**U.S. PATENT DOCUMENTS**

D449,295 S	10/2001	Smith et al.	
D836,598 S	12/2018	Chen	
D942,610 S *	2/2022	Dittrich	D24/106
D956,204 S *	6/2022	Sadanandan	D24/106
D961,757 S *	8/2022	Kurbegovic	A61F 11/08 D29/112 D24/106
D970,719 S *	11/2022	Stigsdotter	D24/106
D971,891 S	12/2022	Li	
D972,146 S *	12/2022	Asmussen	D24/174
D991,438 S *	7/2023	Liang	D24/106
D993,418 S *	7/2023	Dittrich	D24/174
D1,005,477 S *	11/2023	Deng	D24/106
D1,024,029 S	4/2024	Wang	
D1,039,131 S *	8/2024	O	D24/106
D1,040,332 S *	8/2024	Hofstra	D24/106

D1,045,065 S *	10/2024	Gu	D24/106
D1,050,409 S *	11/2024	Zhao	D24/106
D1,050,410 S *	11/2024	Zhao	D24/106

**FOREIGN PATENT DOCUMENTS**

CN 201630071221.8 \* 8/2016

**OTHER PUBLICATIONS**

Earplugs for Sleeping. Available Jul. 17, 2021. Retrieved Dec. 4, 2024 from URL: <https://www.amazon.com/Reusable-Silicone-Earplugs-Reduction-Airplanes/dp/B09833ZZM2/> (Year: 2021).\*

\* cited by examiner

*Primary Examiner* — Omeed Agilee

*Assistant Examiner* — Michael Hoffman

(74) *Attorney, Agent, or Firm* — Barry Choobin; Patent 360

(57) **CLAIM**

The ornamental design for an ear plug, as shown and described.

**DESCRIPTION**

FIG. 1 is a perspective view of an ear plug, showing my new design;  
FIG. 2 is another perspective view thereof;  
FIG. 3 is a front view thereof;  
FIG. 4 is a rear view thereof;  
FIG. 5 is a right-side view thereof;  
FIG. 6 is a left-side view thereof;  
FIG. 7 is a top view thereof;  
FIG. 8 is a bottom view thereof; and,  
FIG. 9 is a cross-sectional view taken along the line 9-9 of FIG. 3.

**1 Claim, 9 Drawing Sheets**

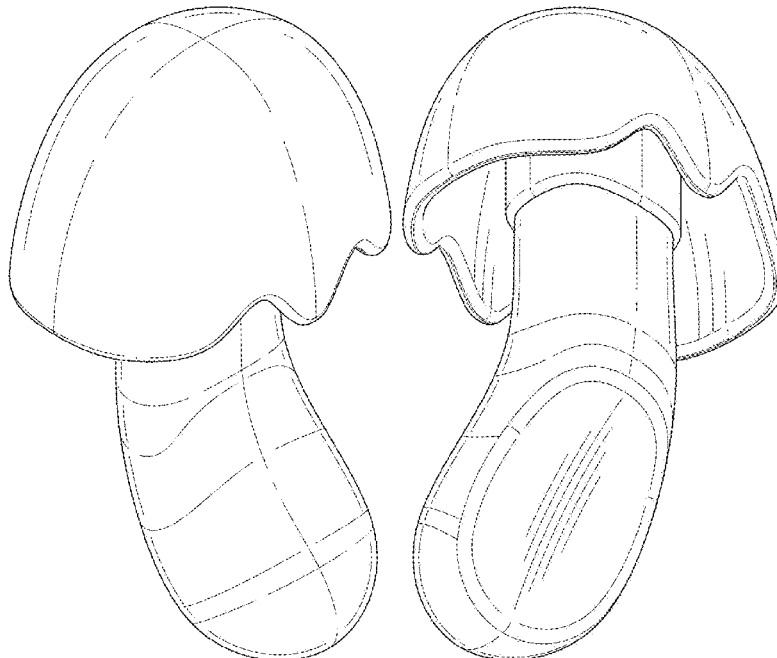




FIG. 1

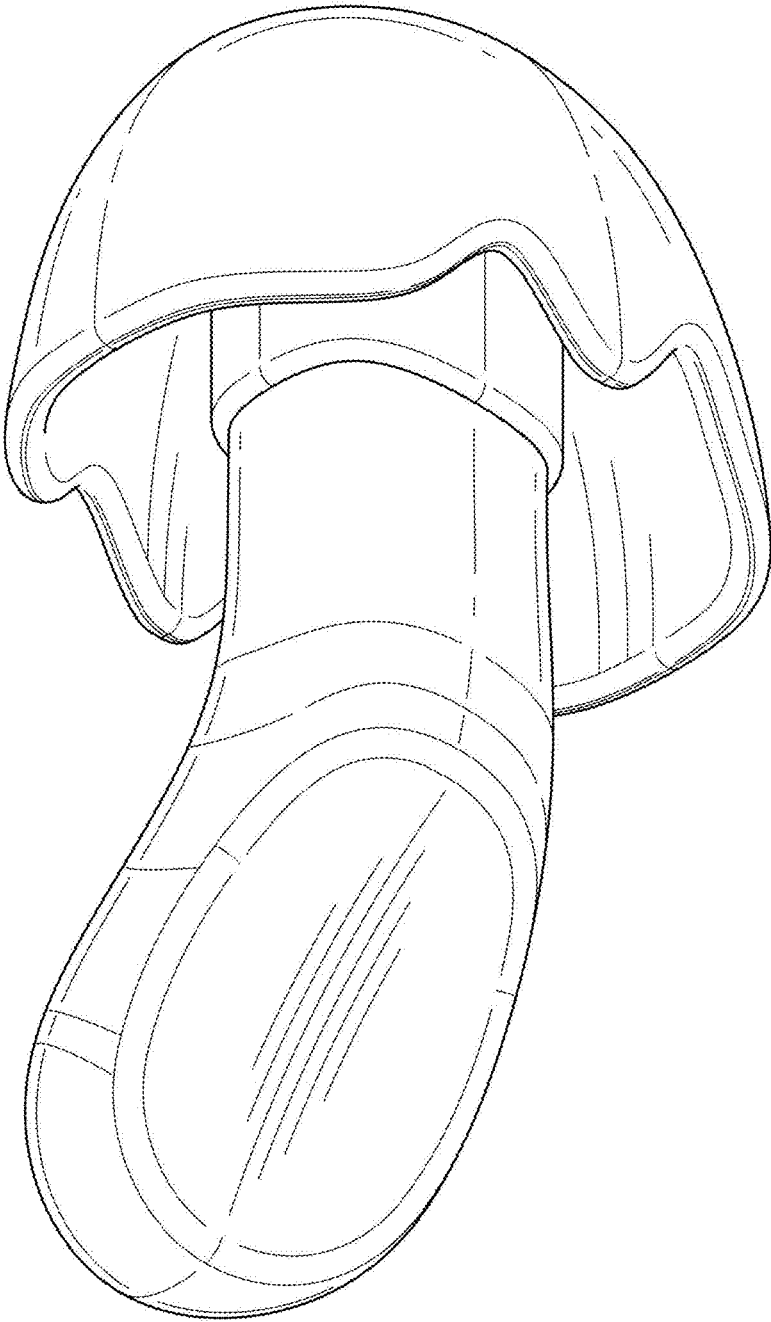


FIG. 2

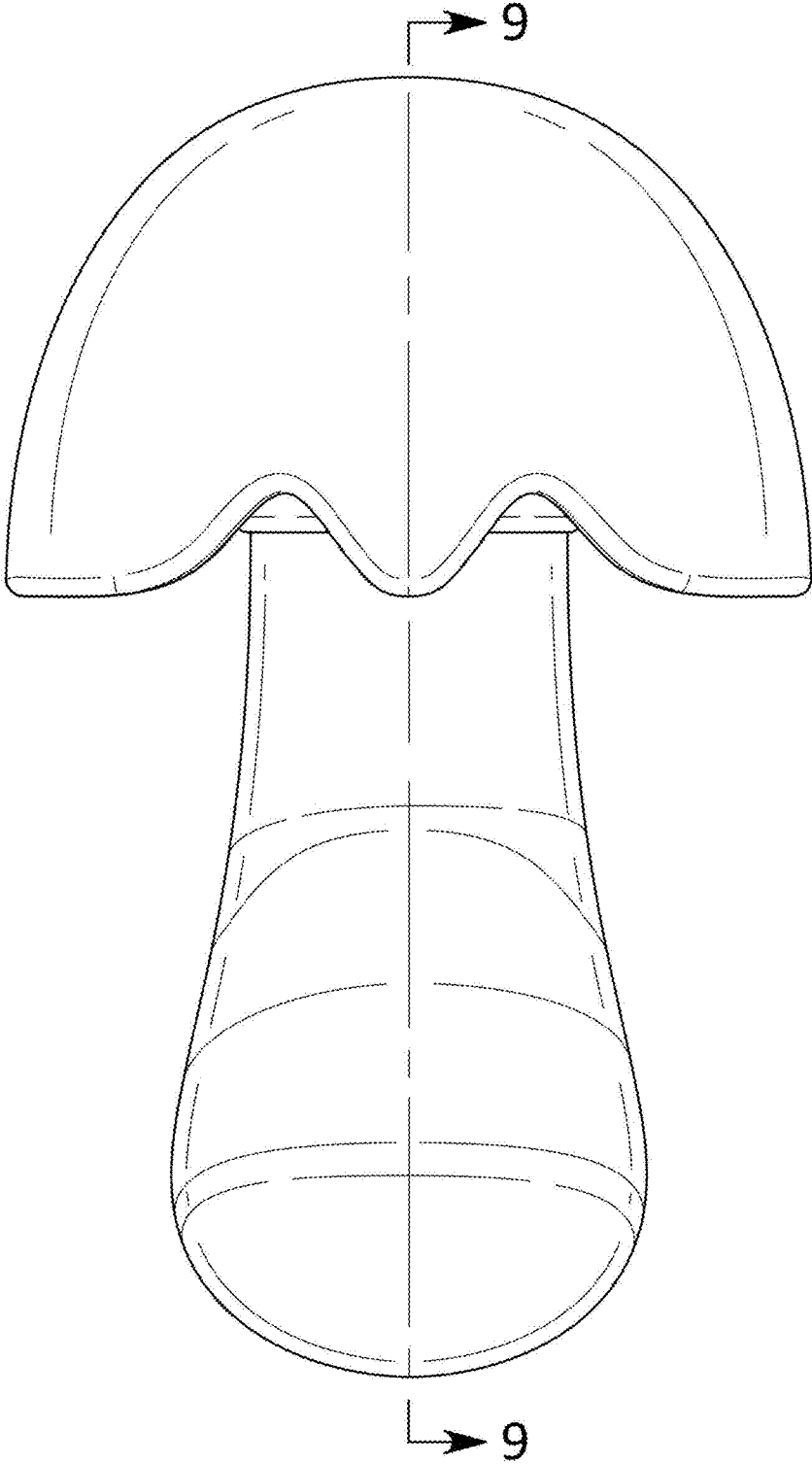


FIG. 3

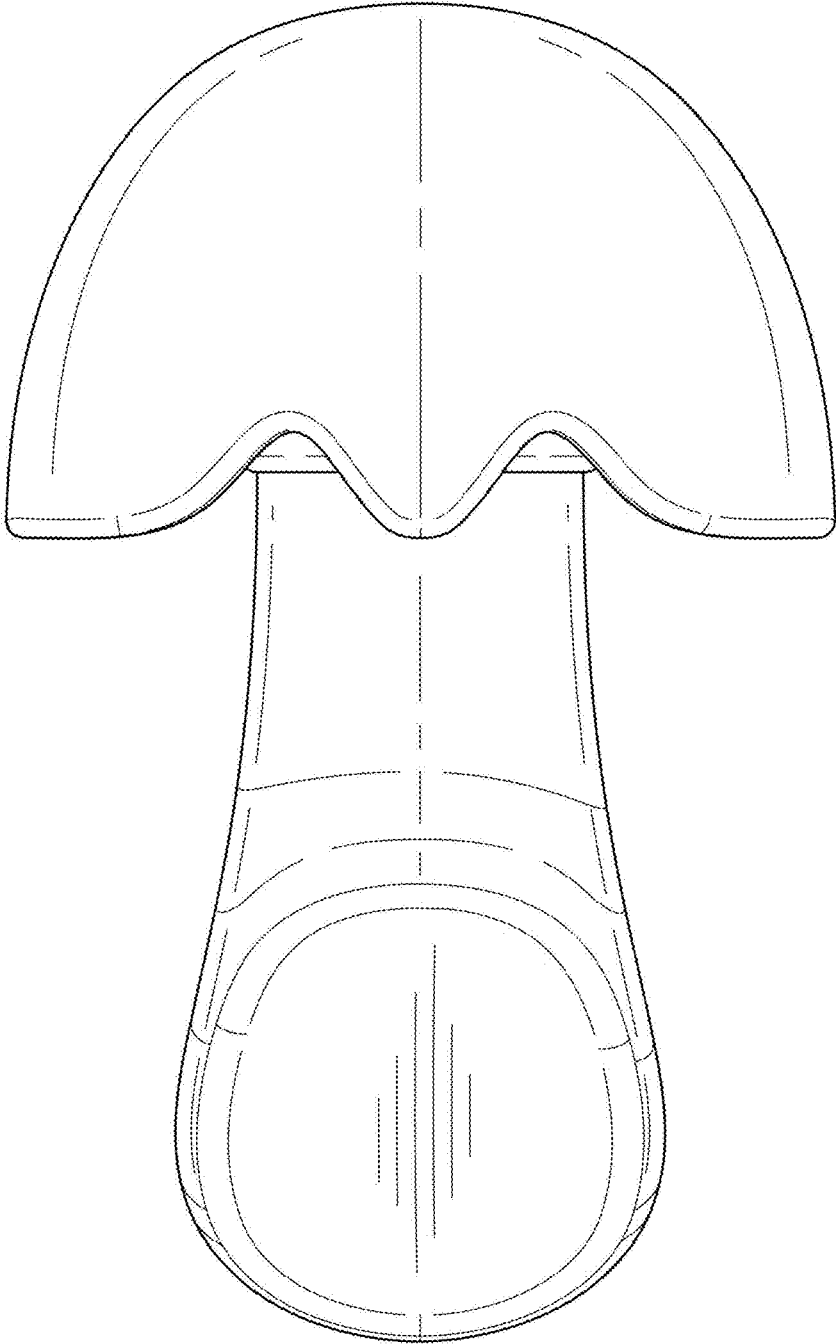


FIG. 4

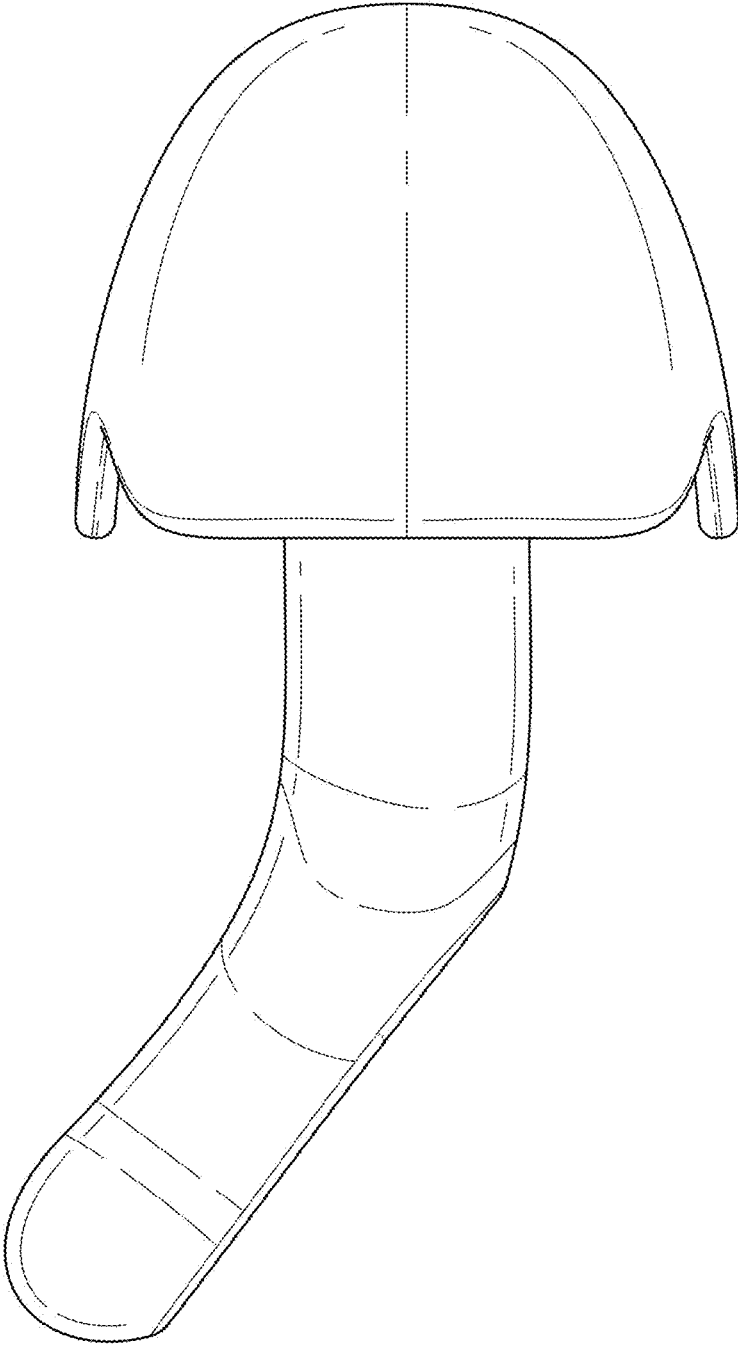


FIG. 5

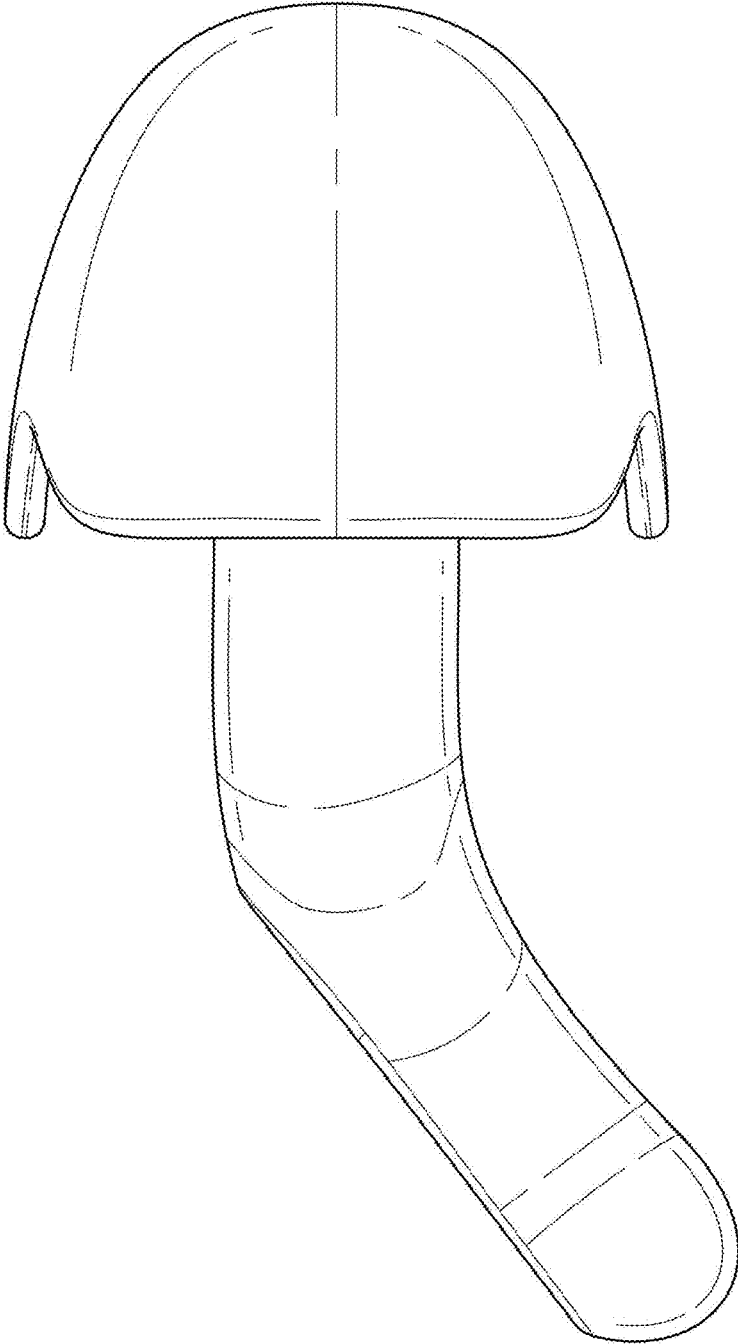


FIG. 6

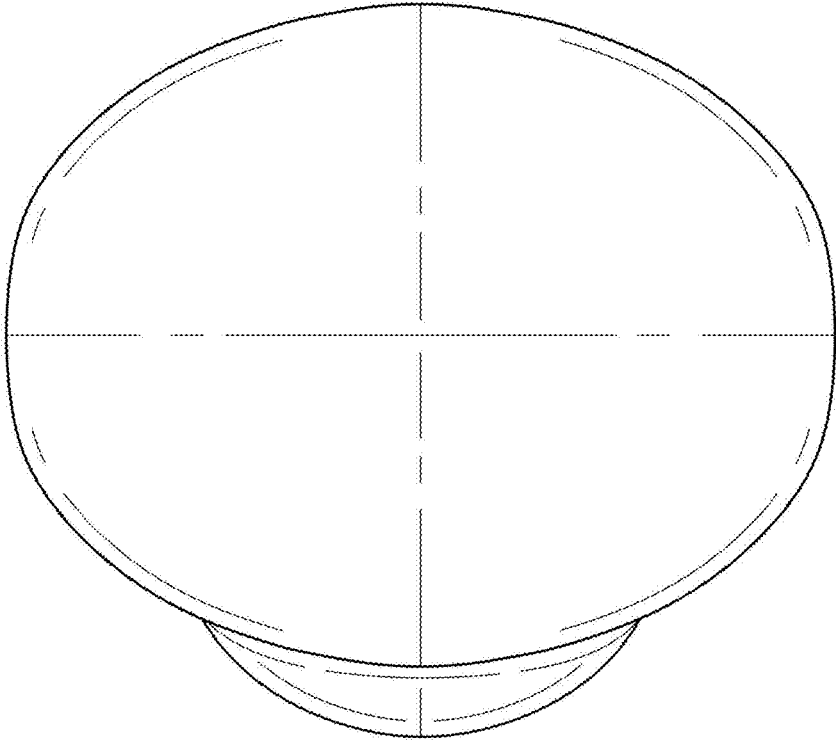


FIG. 7

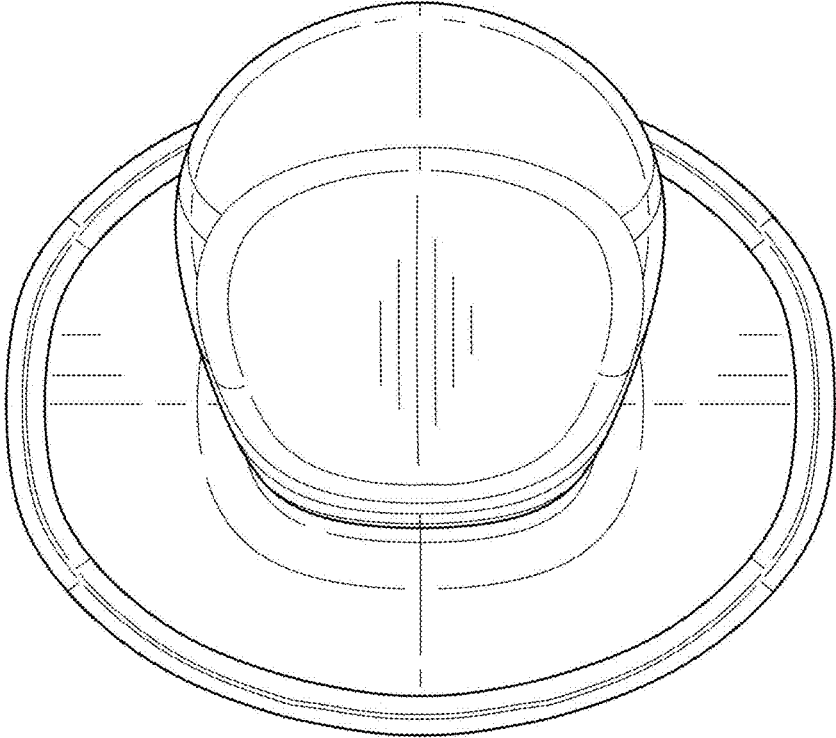


FIG. 8

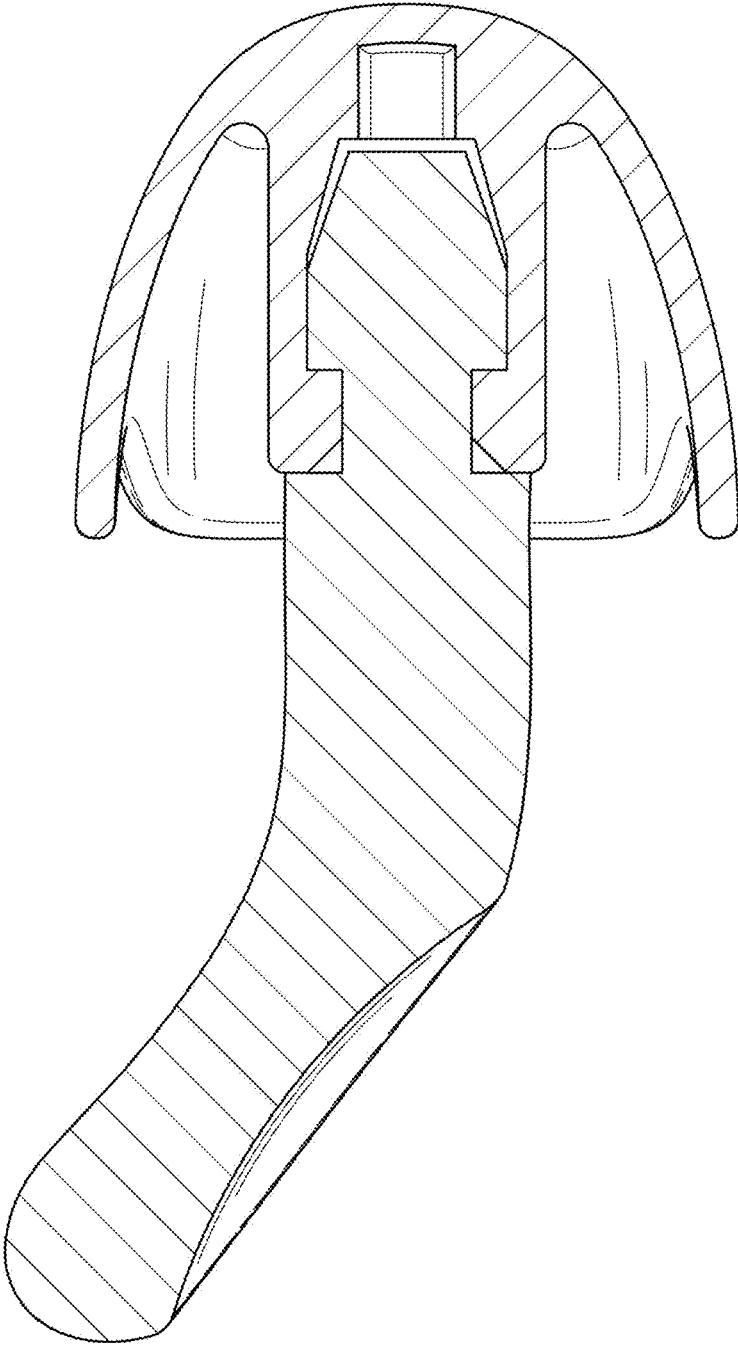


FIG. 9