



(12) **United States Design Patent**  
**Stroia**

(10) **Patent No.:** **US D1,060,862 S**  
(45) **Date of Patent:** **\*\* Feb. 4, 2025**

(54) **BIRD FEEDER**

FOREIGN PATENT DOCUMENTS

(71) Applicant: **Craig Stroia**, Wyandotte, MI (US)

CN 306095796 \* 10/2020  
EM 000521158-0001 \* 8/2006

(72) Inventor: **Craig Stroia**, Wyandotte, MI (US)

OTHER PUBLICATIONS

(\*\*) Term: **15 Years**

(21) Appl. No.: **29/838,785**

Garden Peeps: The Hummingbird Bottle Hummingbird Feeder, Posted Jan. 11, 2022 [online], [Retrieved Apr. 12, 2024]. Retrieved from internet, <https://www.amazon.com/dp/B09FKM1ZSK/?th=1> (Year: 2022).\*

(22) Filed: **May 16, 2022**

Wild About Birds: Hummingbird Feeder with Built-In Ant Moat, Posted Jan. 9, 2017 [online], [Retrieved Apr. 12, 2024]. Retrieved from internet, <https://www.wildaboutbirds.com/hummingbird-feeder-with-built-in-ant-moat> (Year: 2017).\*

(51) **LOC (15) Cl.** ..... **30-03**

(52) **U.S. Cl.**  
USPC ..... **D30/124; D30/128**

(58) **Field of Classification Search**

USPC ..... D30/110, 111, 121, 124, 125, 126, 127,  
D30/128, 133, 199; D9/428, 553;  
D11/117, 148, 152, 164; D16/208;  
D21/340; D22/122; D23/262; D26/40,  
D26/41

CPC ..... A01K 31/12; A01K 31/14; A01K 39/00;  
A01K 39/01; A01K 39/0106; A01K  
39/0113; A01K 39/012; A01K 39/0206

See application file for complete search history.

(Continued)

*Primary Examiner* — Mary Shannon Malley

*Assistant Examiner* — Jennifer B Salazar

(74) *Attorney, Agent, or Firm* — Barry Choobin; Patent  
360

(56) **References Cited**

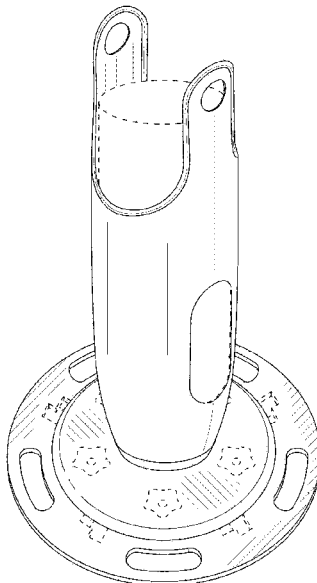
U.S. PATENT DOCUMENTS

5,195,463	A *	3/1993	Lorenzana	.....	A01K 45/002
					D30/123
D530,457	S *	10/2006	Jung	.....	D30/127
D683,909	S *	6/2013	Muhr	.....	D30/124
D788,382	S *	5/2017	Krueger	.....	D30/125
D790,777	S *	6/2017	Nifong	.....	D30/128
D799,756	S *	10/2017	Fox	.....	D30/121
D852,434	S *	6/2019	Hua	.....	D30/127
D872,378	S *	1/2020	Haney	.....	D30/124
D874,740	S *	2/2020	Haney	.....	D30/124
10,849,315	B2 *	12/2020	Haney	.....	A01K 39/0106
2015/0122186	A1 *	5/2015	Donegan	.....	A01K 39/04
					119/51.5
2018/0352787	A1 *	12/2018	Kong	.....	A01K 39/0206
2022/0408699	A1 *	12/2022	Stroia	.....	A01K 39/01

**DESCRIPTION**

FIG. 1 is a perspective view of a bird feeder, showing my new design;  
FIG. 2 is a front view thereof;  
FIG. 3 is a rear view thereof;  
FIG. 4 is a right side view thereof;  
FIG. 5 is a left side view thereof;  
FIG. 6 is a top view thereof; and,  
FIG. 7 is a bottom view thereof.  
The broken lines depict portions of the bird feeder that form no part of the claimed design.

**1 Claim, 7 Drawing Sheets**



(56)

**References Cited**

OTHER PUBLICATIONS

Ebern Designs: Alsawwan Glass Hanging Hummingbird Feeder, Posted Sep. 11, 2020 [online], [Retrieved Apr. 12, 2024]. Retrieved from internet, <https://www.wayfair.com/outdoor/pdp/ebern-designs-alsawwan-nectar-hummingbird-feeder-w004332238.html> (Year: 2020).\*

Kingsyard: Glass Hummingbird Feeder for Outdoors, Posted Jul. 16, 2021 [online], [Retrieved Apr. 12, 2024]. Retrieved from internet, <https://www.amazon.sa/-/en/Kingsyard-Hummingbird-Outdoors-Feeding-Hanging/dp/B08W443R1H?th=1> (Year: 2021).\*

\* cited by examiner

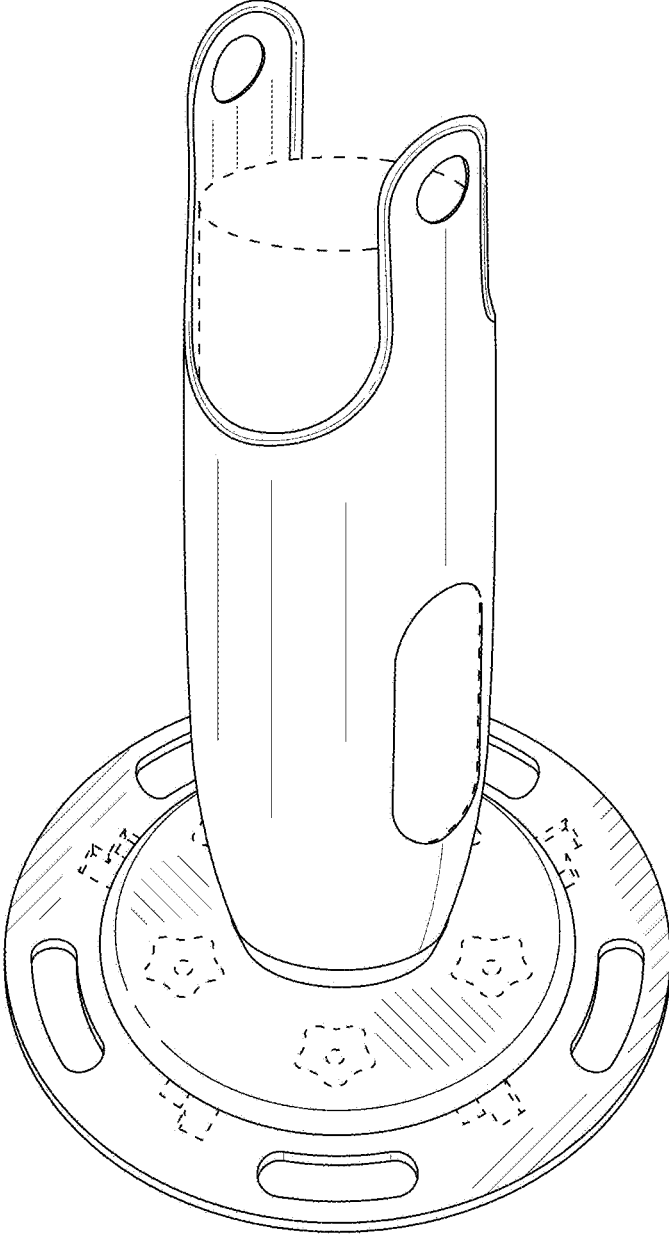


FIG. 1

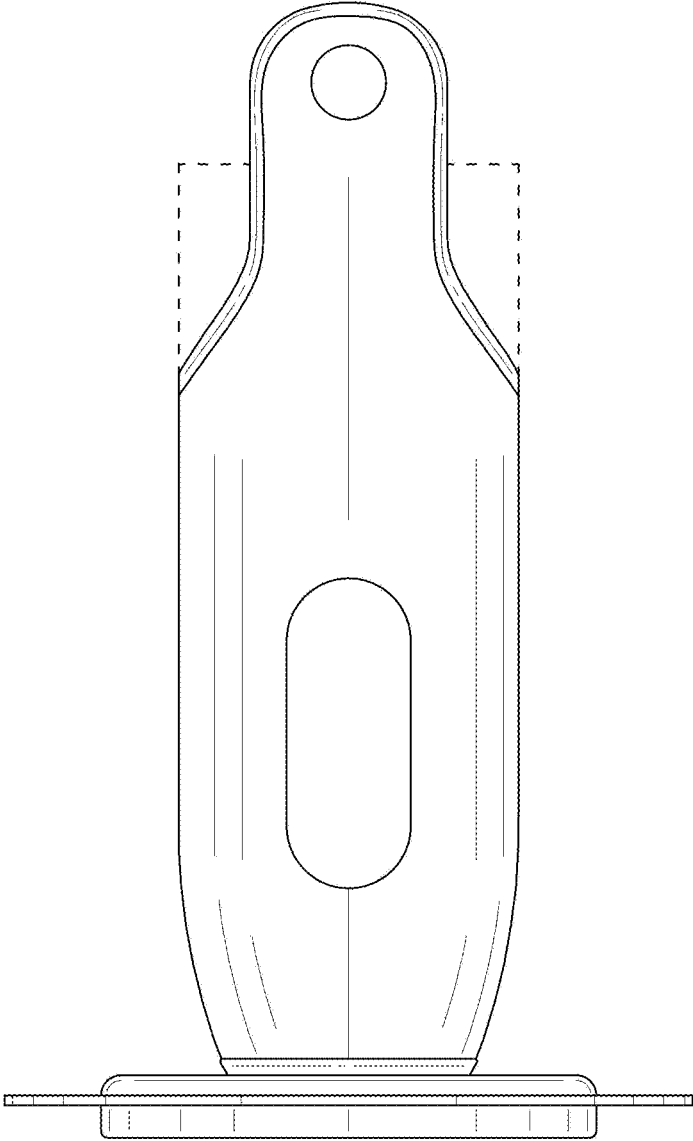


FIG. 2

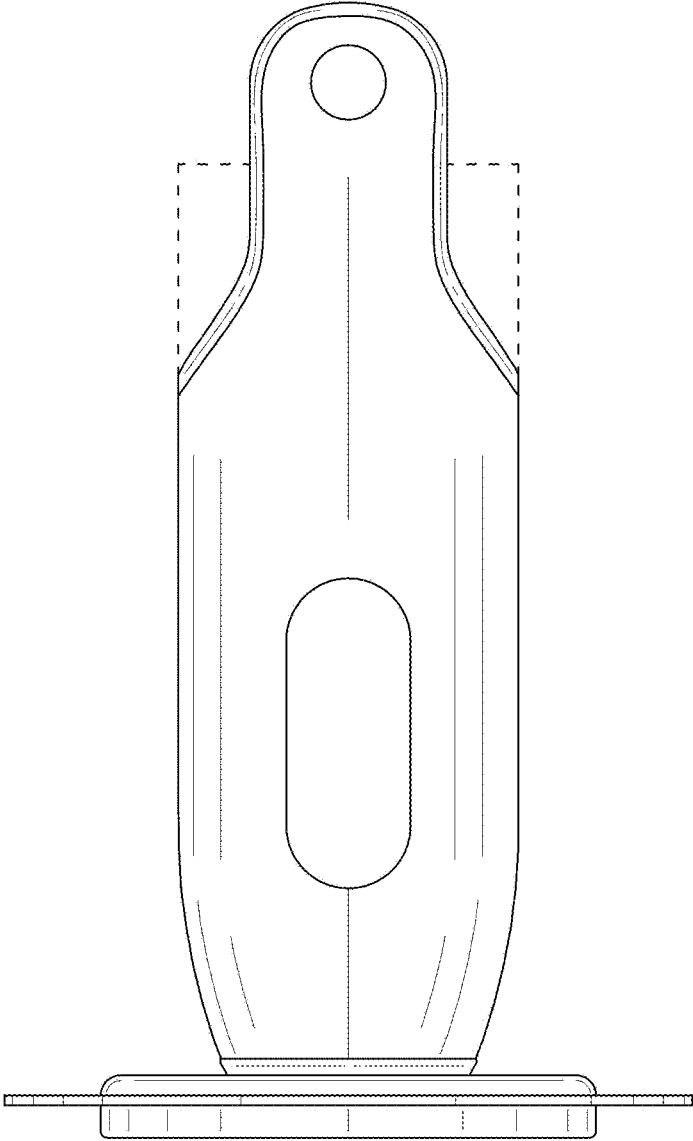


FIG. 3

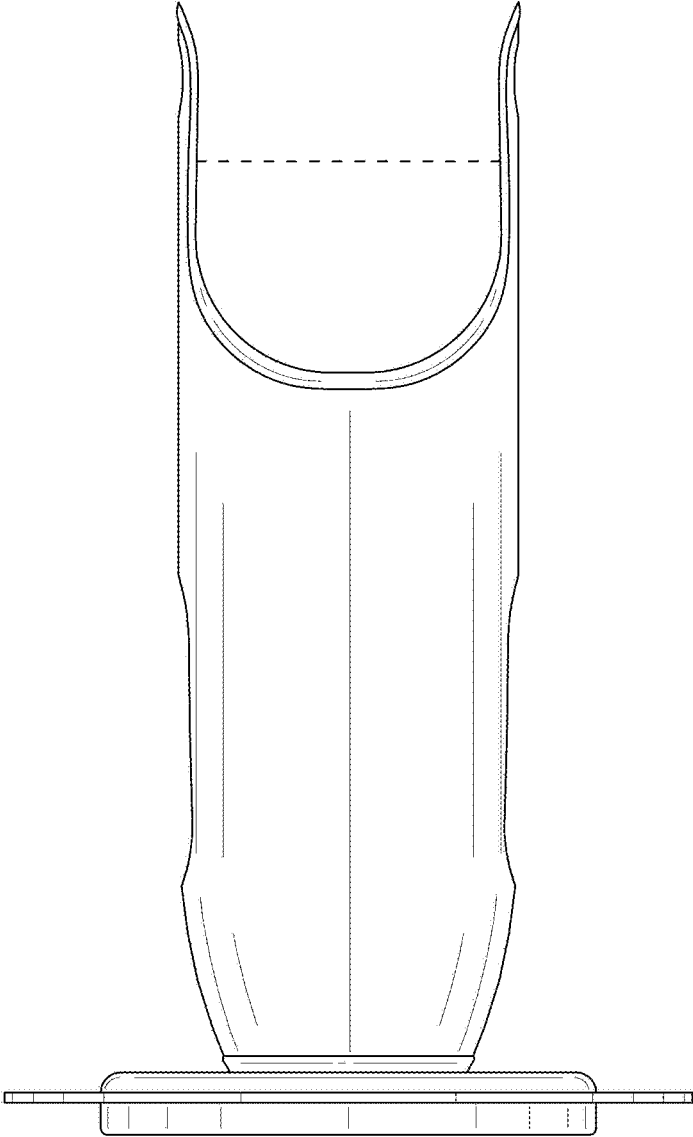


FIG. 4

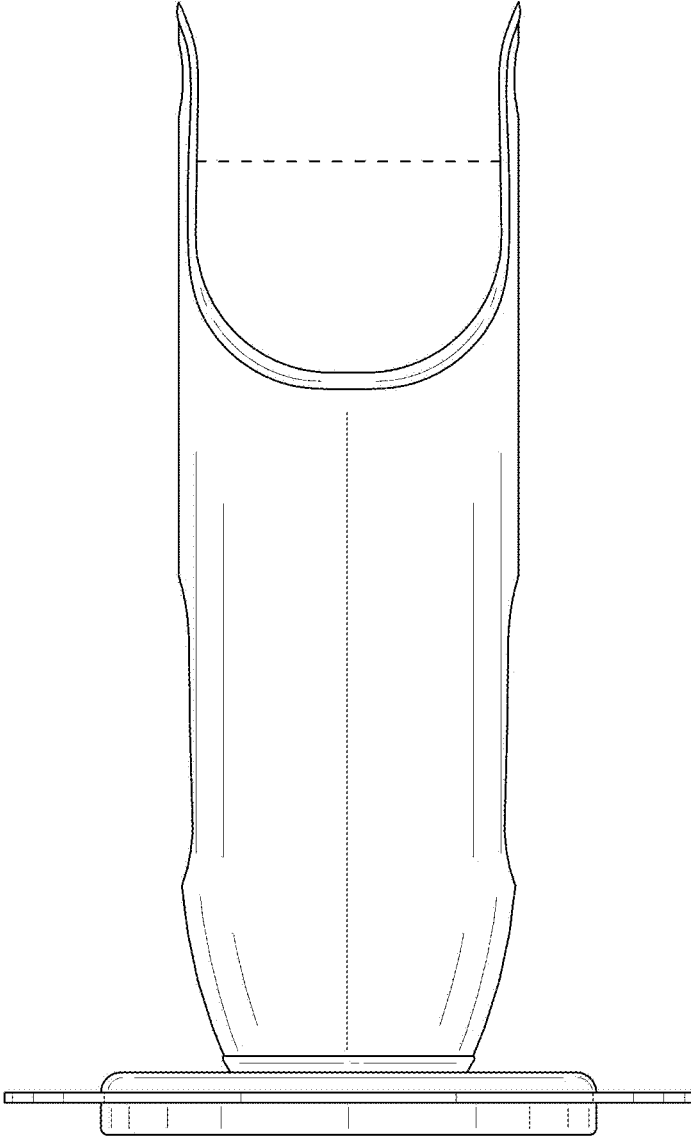


FIG. 5

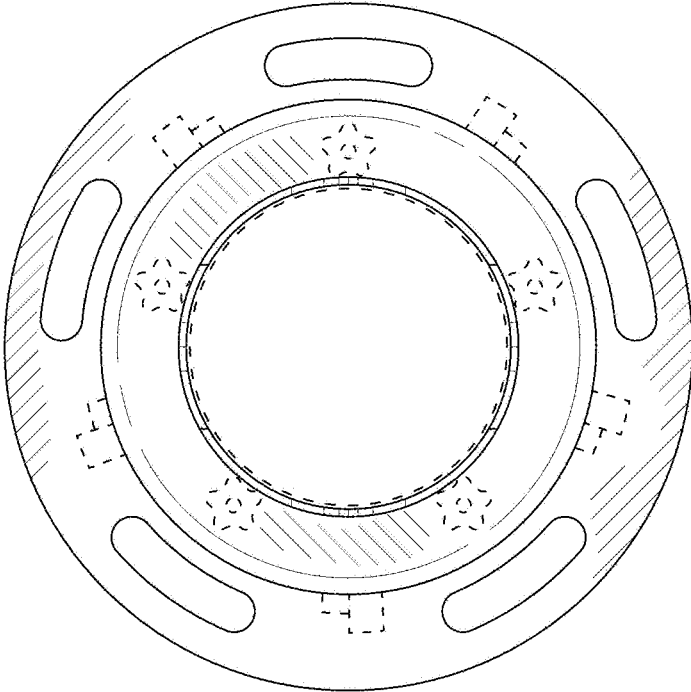


FIG. 6

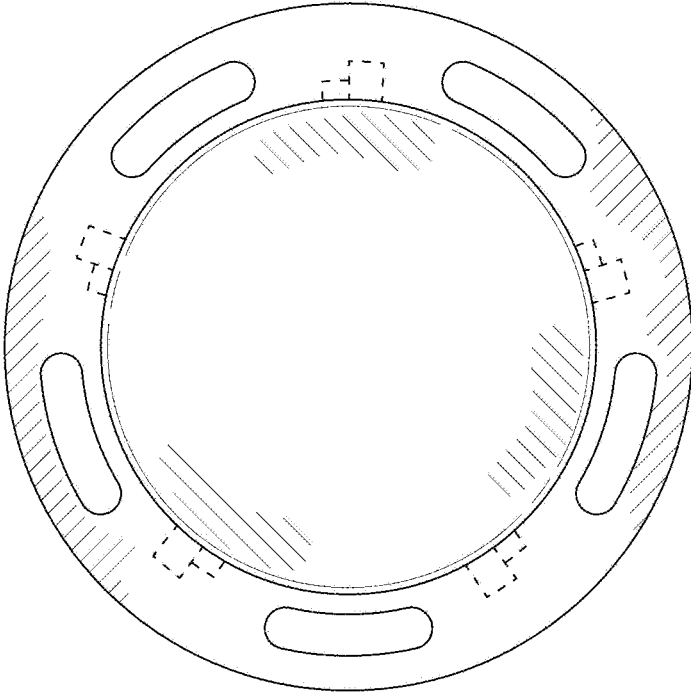


FIG. 7