



US0D1062287S

(12) **United States Design Patent**
Krenke

(10) **Patent No.:** **US D1,062,287 S**

(45) **Date of Patent:** **** Feb. 18, 2025**

(54) **DISINFECTANT LIQUID DISPENSER**

(71) Applicant: **Spencer Wayne Krenke**, Key West, FL (US)

(72) Inventor: **Spencer Wayne Krenke**, Key West, FL (US)

(73) Assignee: **THE SPENCER WAYNE KRENKE LIVING TRUST**, Key West, FL (US)

(**) Term: **15 Years**

(21) Appl. No.: **29/767,962**

(22) Filed: **Jan. 26, 2021**

(51) **LOC (15) Cl.** **24-02**

(52) **U.S. Cl.**

USPC **D24/216; D6/542**

(58) **Field of Classification Search**

USPC D24/216, 111, 108, 112; D6/512, 524, D6/542, 543

CPC ... A47K 5/1202; A47K 5/1217; A61L 2/0088; A61L 2/26; A61L 2202/14; A61L 2202/15

See application file for complete search history.

(56) **References Cited**

U.S. PATENT DOCUMENTS

D211,248 S *	6/1968	Sullivan	D24/111
D247,940 S	5/1978	Tobin		
D623,880 S	9/2010	White		
D625,538 S	10/2010	Lorenzatti		
D629,237 S	12/2010	Boshuizen et al.		
D629,884 S *	12/2010	Stephens	D24/108
D638,245 S	5/2011	Platter		
D670,373 S *	11/2012	Taylor	D24/108
D682,589 S	5/2013	Cheng		
D694,293 S	11/2013	Eby et al.		
D694,398 S *	11/2013	Taylor	D24/111
D714,573 S *	10/2014	DeChristofaro	D6/542

D733,456 S	7/2015	Buell et al.		
D761,040 S	7/2016	Barclay		
D770,899 S	11/2016	Knight		
D780,473 S	3/2017	Brownley et al.		
9,761,079 B1	9/2017	Lin		
D804,016 S *	11/2017	Ladwig	D24/111
D806,229 S *	12/2017	Uchida	D24/111
D815,274 S *	4/2018	Ladwig	D24/111
10,045,667 B2	8/2018	Wegelin et al.		
10,159,383 B2	12/2018	Pelfrey		
D845,663 S	4/2019	Buell et al.		
D881,383 S *	4/2020	Chen	D24/111
D895,791 S *	9/2020	Yuan	D24/111
D896,366 S *	9/2020	Yuan	D24/111
10,845,385 B2	11/2020	Lee et al.		
D907,198 S *	1/2021	Bessho	D24/111
D914,198 S *	3/2021	Li	D24/111
D922,565 S *	6/2021	Wang	D24/111

(Continued)

Primary Examiner — Nathan M Johnston

(74) *Attorney, Agent, or Firm* — Barry Choobin; Patent 360

(57)

CLAIM

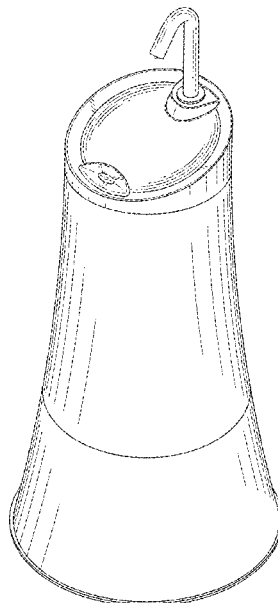
An ornamental design for a disinfectant liquid dispenser, as shown and described.

DESCRIPTION

FIG. 1 is a perspective view of a disinfectant liquid dispenser, showing my new design; FIG. 2 is a front view thereof; FIG. 3 is a rear view thereof; FIG. 4 is a right-side view thereof; FIG. 5 is a left-side view thereof; and, FIG. 6 is a top view thereof.

A bottom view is omitted because it is plain and unornamental and forms no part of the subject matter of the claimed design. The broken lines show portions of the disinfectant liquid dispenser that form no part of the claimed design.

1 Claim, 6 Drawing Sheets



(56)

References Cited

U.S. PATENT DOCUMENTS

D939,690	S	*	12/2021	Honisch	D24/111
D948,033	S	*	4/2022	Fang	D24/111
D953,520	S	*	5/2022	Li	D24/111
D959,648	S	*	8/2022	Yang	D24/111
D959,649	S	*	8/2022	Yu	D24/111
D965,233	S	*	9/2022	Gong	D30/132
D978,336	S	*	2/2023	Li	D24/111
D978,337	S	*	2/2023	Chen	D24/111
D986,411	S	*	5/2023	Hou	D24/111
D993,395	S	*	7/2023	Zhang	D24/111
D998,142	S	*	9/2023	Zhang	D24/111
D1,007,072	S	*	12/2023	Xia	D30/132
D1,008,451	S	*	12/2023	Cheng	D24/111
D1,013,158	S	*	1/2024	Lu	D24/111
D1,014,732	S	*	2/2024	Chen	D24/108
D1,016,275	S	*	2/2024	Peng	D24/111
D1,018,833	S	*	3/2024	Liu	D24/111
D1,020,117	S	*	3/2024	Han	D30/132
D1,020,118	S	*	3/2024	Han	D30/132
D1,020,298	S	*	4/2024	Huff	D6/542
D1,024,315	S	*	4/2024	Fan	D24/111
D1,030,039	S	*	6/2024	Yang	D24/111
D1,038,540	S	*	8/2024	Fang	
D1,041,950	S	*	9/2024	Keegan	D6/542
2009/0236254	A1		9/2009	Jenkins et al.		
2013/0306105	A1		11/2013	Battah		
2015/0083754	A1		3/2015	Proper et al.		
2021/0308290	A1*		10/2021	Thorne	A61L 2/0088

* cited by examiner

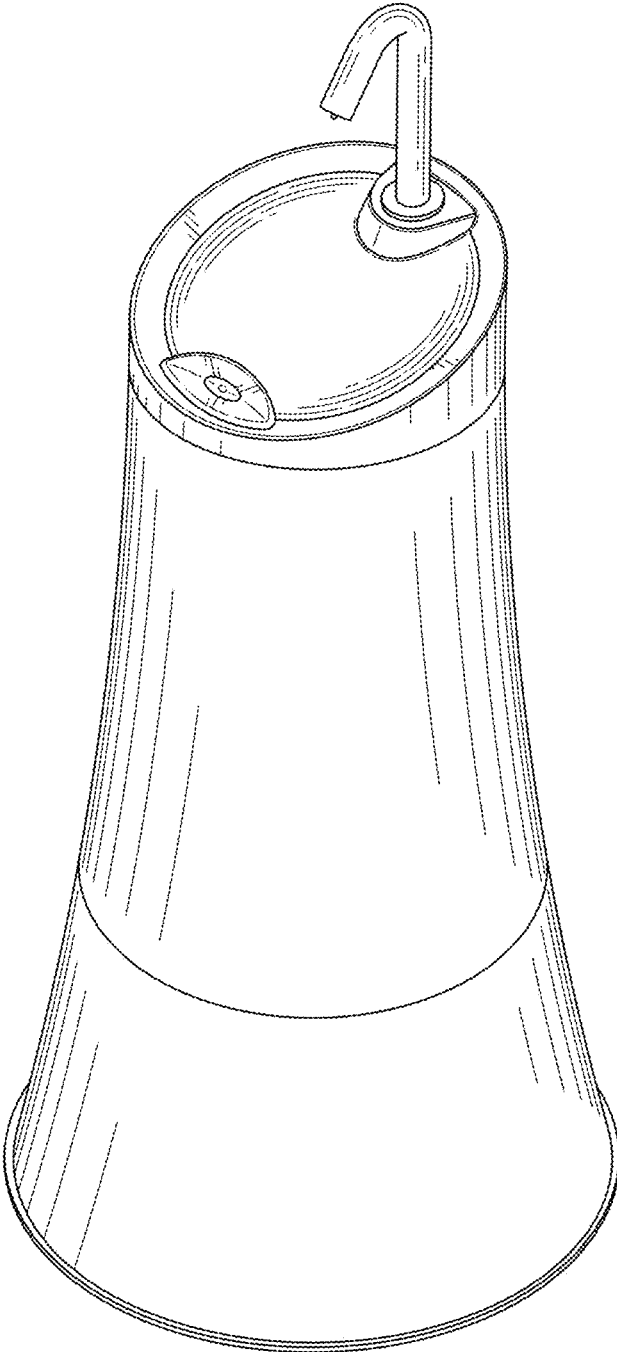


FIG. 1

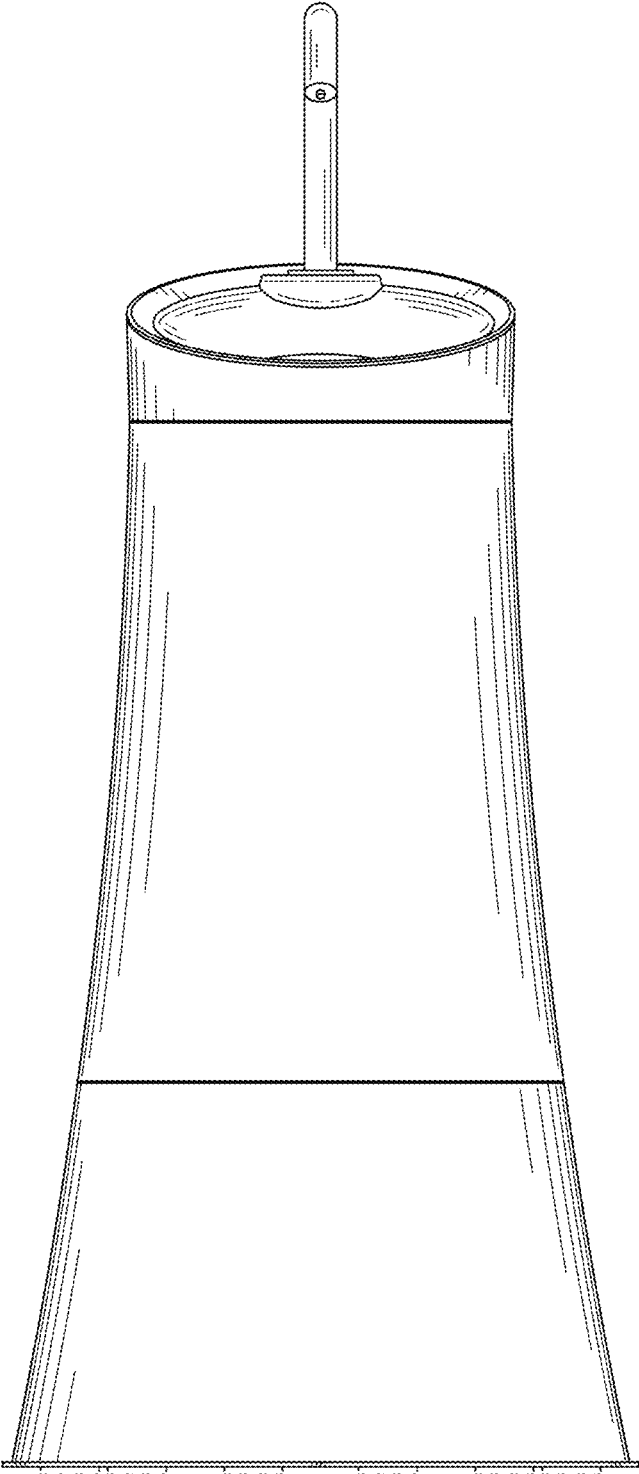


FIG. 2

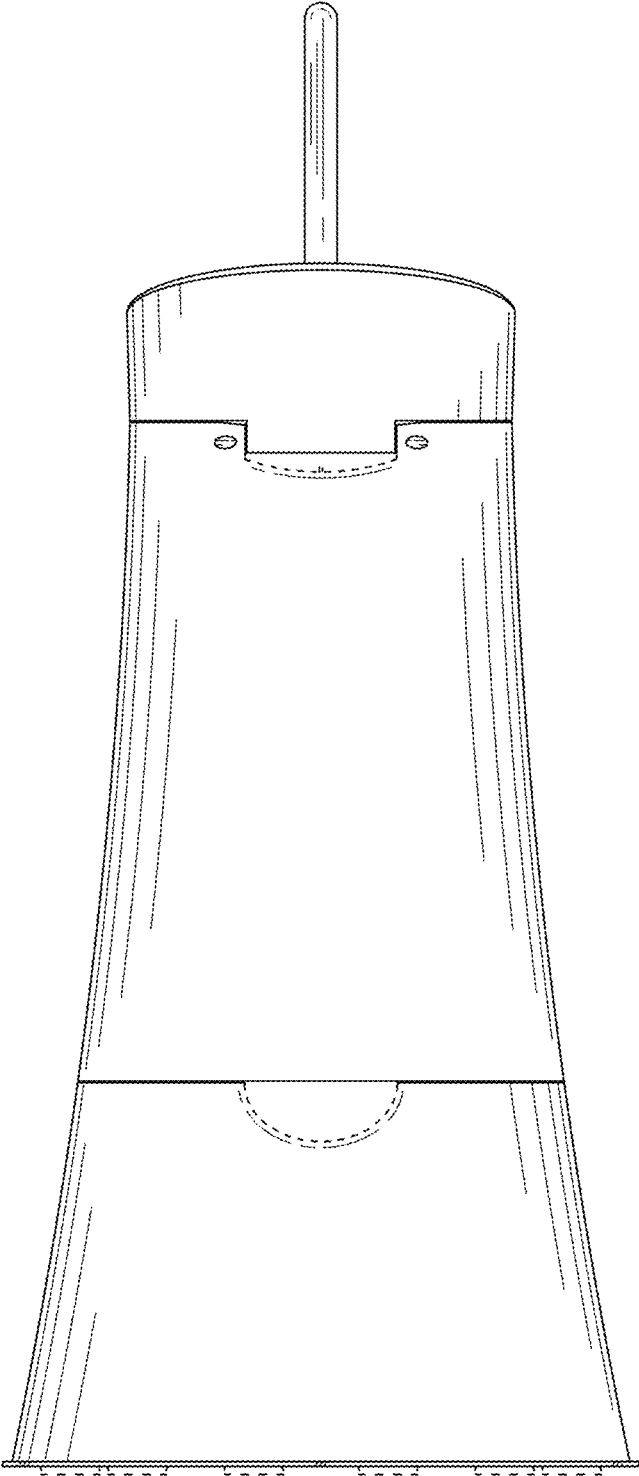


FIG. 3

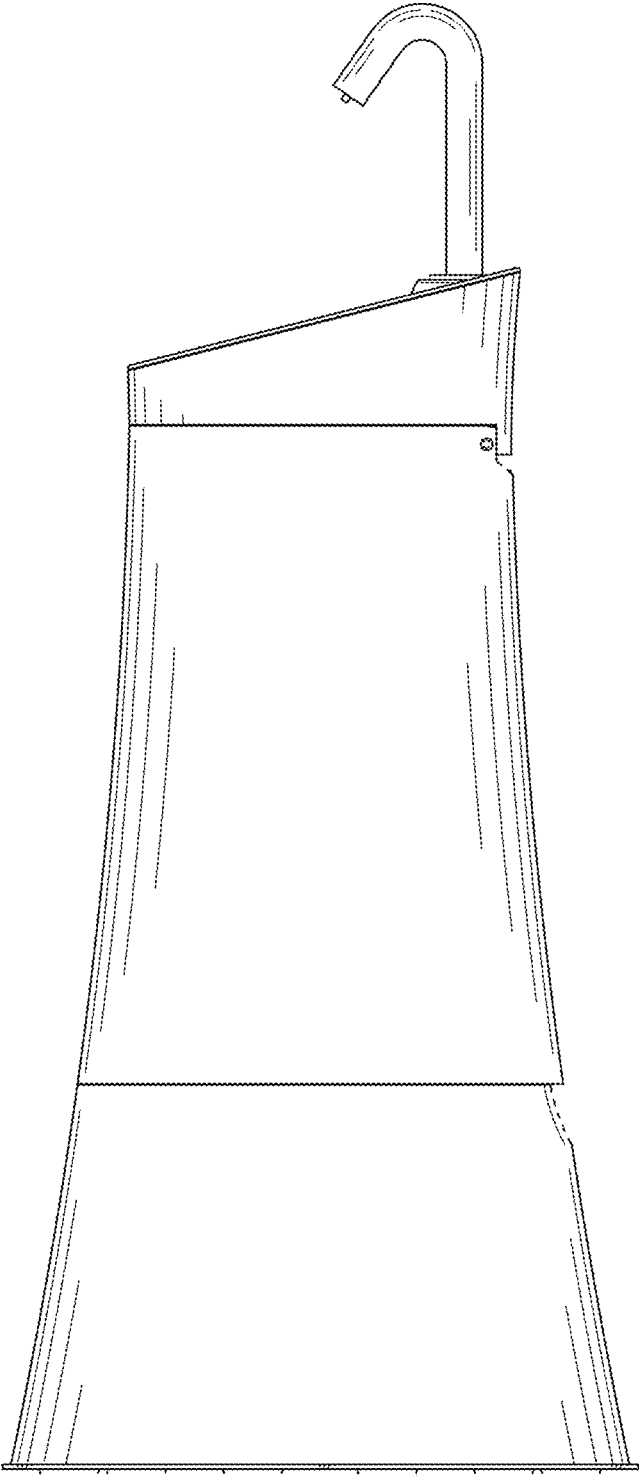


FIG. 4

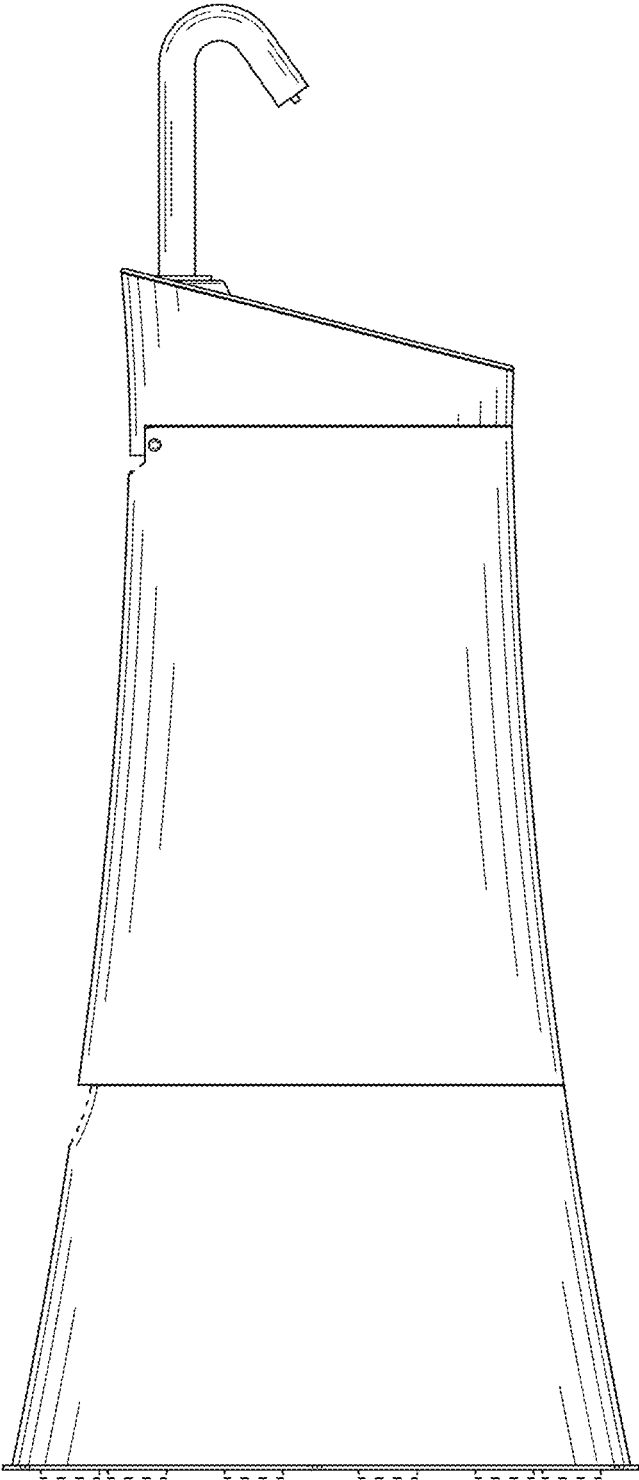


FIG. 5

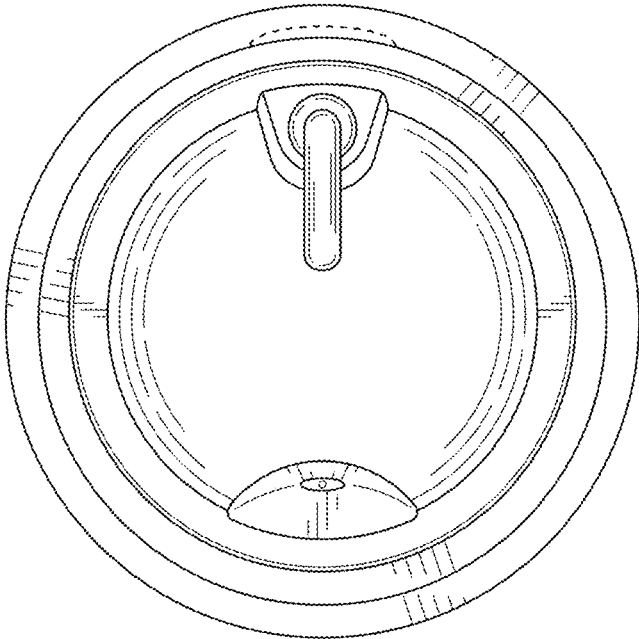


FIG. 6