



US0D1065629S

(12) **United States Design Patent**
Nielsen et al.

(10) **Patent No.:** **US D1,065,629 S**

(45) **Date of Patent:** **** Mar. 4, 2025**

(54) **COCKPIT MAP LIGHT**

(71) Applicants: **Christian Nielsen**, Palm Coast, FL
(US); **Olexandr Shepelyuk**, Gelnica
(SK); **Daniel Stenko**, Kosice (SK)

(72) Inventors: **Christian Nielsen**, Palm Coast, FL
(US); **Olexandr Shepelyuk**, Gelnica
(SK); **Daniel Stenko**, Kosice (SK)

(**) Term: **15 Years**

(21) Appl. No.: **29/927,551**

(22) Filed: **Feb. 5, 2024**

(51) **LOC (15) Cl.** **26-06**

(52) **U.S. Cl.**
USPC **D26/36**

(58) **Field of Classification Search**
USPC D26/24, 28–36, 60–63, 72–74, 80–88,
D26/138, 139, 49; D12/319, 345
CPC F21S 8/00; F21S 8/02; F21S 8/04; F21S
8/022; F21S 8/024; F21S 8/026; F21S
8/028; F21S 8/03; F21S 8/033; F21S
41/141; F21S 41/18; F21S 41/20; F21S
41/00; F21S 43/14; F21S 43/00; F21S
43/10; F21V 21/00; F21V 21/04; F21V
21/041; F21V 21/042; F21V 21/044;
F21V 21/046; F21V 21/047; F21V
21/048; F21V 21/049

See application file for complete search history.

(56) **References Cited**

U.S. PATENT DOCUMENTS

D160,640 S *	10/1950	Mageoch	D26/74
D238,185 S *	12/1975	Wellward et al.	D14/209
D386,805 S *	11/1997	Bonnette	D26/74
D406,670 S *	3/1999	Yeh	D26/29
D410,295 S *	5/1999	Lueken	D26/74
D484,272 S *	12/2003	Lay	D26/113
D497,020 S *	10/2004	Lee	D26/49

D571,497 S *	6/2008	Chan	D26/74
D576,757 S *	9/2008	Hesse	D26/49
D586,942 S *	2/2009	Chan	D26/118
D587,394 S *	2/2009	Pickard	D26/118
D632,005 S *	2/2011	Munstermann	D26/113
D658,327 S *	4/2012	Meise	D26/74
D692,171 S *	10/2013	Randolph	D26/74
D697,650 S *	1/2014	Maxik	D26/74
D699,387 S *	2/2014	Snell	D26/124
D748,834 S *	2/2016	Huang	D26/49
D773,097 S *	11/2016	Zhao	D26/74

(Continued)

OTHER PUBLICATIONS

Aveo Eyebeam Mini Cockpit Light Black, posted at Aircraftspruce.
Site visited Jul. 9, 2024. Available from internet, URL: <https://www.aircraftspruce.com/catalog/pnpages/11-09679.php>? (Year: 2024).*

(Continued)

Primary Examiner — Sharon S Oum
Assistant Examiner — Vanessa Martinez
(74) *Attorney, Agent, or Firm* — Barry Choobin; Patent
360

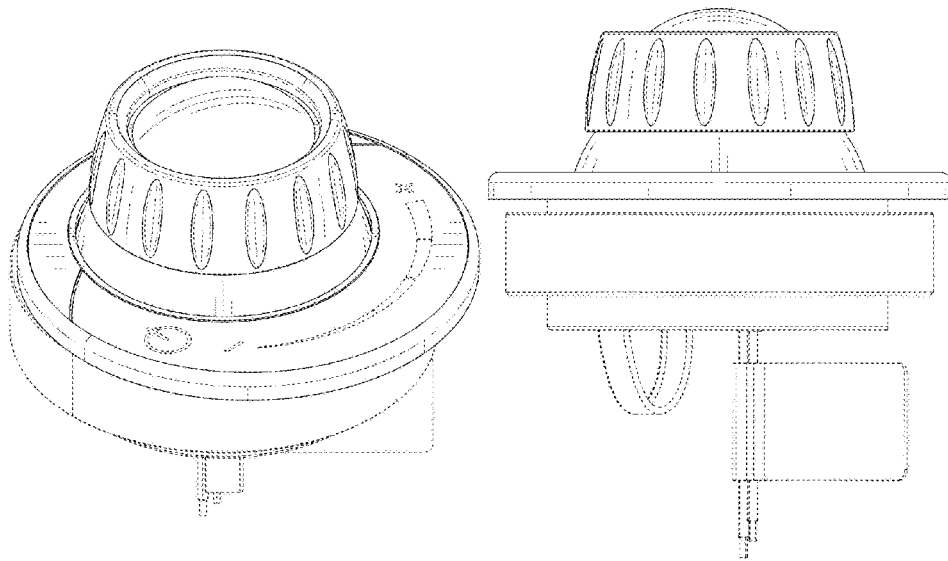
(57) **CLAIM**

The ornamental design for a cockpit map light, as shown and described.

DESCRIPTION

FIG. 1 is a perspective view of a cockpit map light, showing our new design;
FIG. 2 is a front view thereof;
FIG. 3 is a rear view thereof;
FIG. 4 is a right side view thereof;
FIG. 5 is a left side view thereof;
FIG. 6 is a top view thereof; and,
FIG. 7 is a bottom view thereof.
The broken lines depict portions of the cockpit map light that form no part of the claimed design.

1 Claim, 7 Drawing Sheets



(56)

References Cited

U.S. PATENT DOCUMENTS

D774,229 S * 12/2016 Prieto D26/49
D794,868 S * 8/2017 Kasparian D26/139
10,274,183 B2 * 4/2019 Randolph F21V 17/002
D919,876 S * 5/2021 Ouyang D26/110
D984,717 S * 4/2023 Zhao D26/93
D1,006,278 S * 11/2023 Li D26/49
D1,021,215 S * 4/2024 Liu D26/106
D1,035,100 S * 7/2024 Jin D26/104

OTHER PUBLICATIONS

AveoEngineering, "EyeBeam Mini—capacitive touch works with latex medical glove" Posted at YouTube, date first available Jan. 22, 2013. Site visited Jul. 9, 2024. Available from internet, URL: <https://www.youtube.com/watch?v=OF1s5O-w5A0> (Year: 2013).*

Dream lighting, posted at Amazon, date first available Dec. 8, 2015. Site visited Jul. 9, 2024. Available from internet, URL: <https://www.amazon.com/Dream-Lighting-Recessed-Downlight-Rotatable/dp/B0192YQCQA> (Year: 2015).*

* cited by examiner

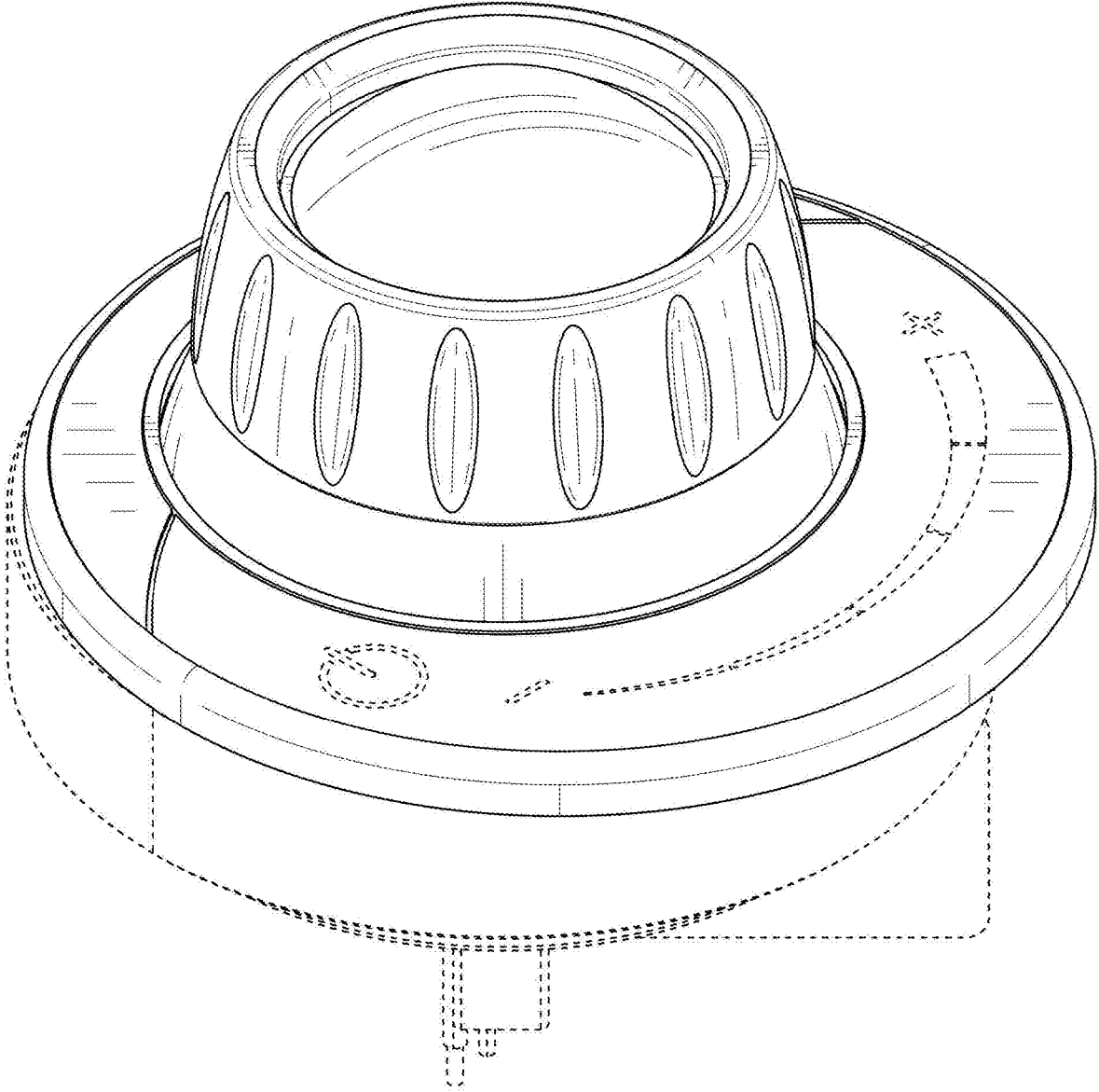


FIG. 1

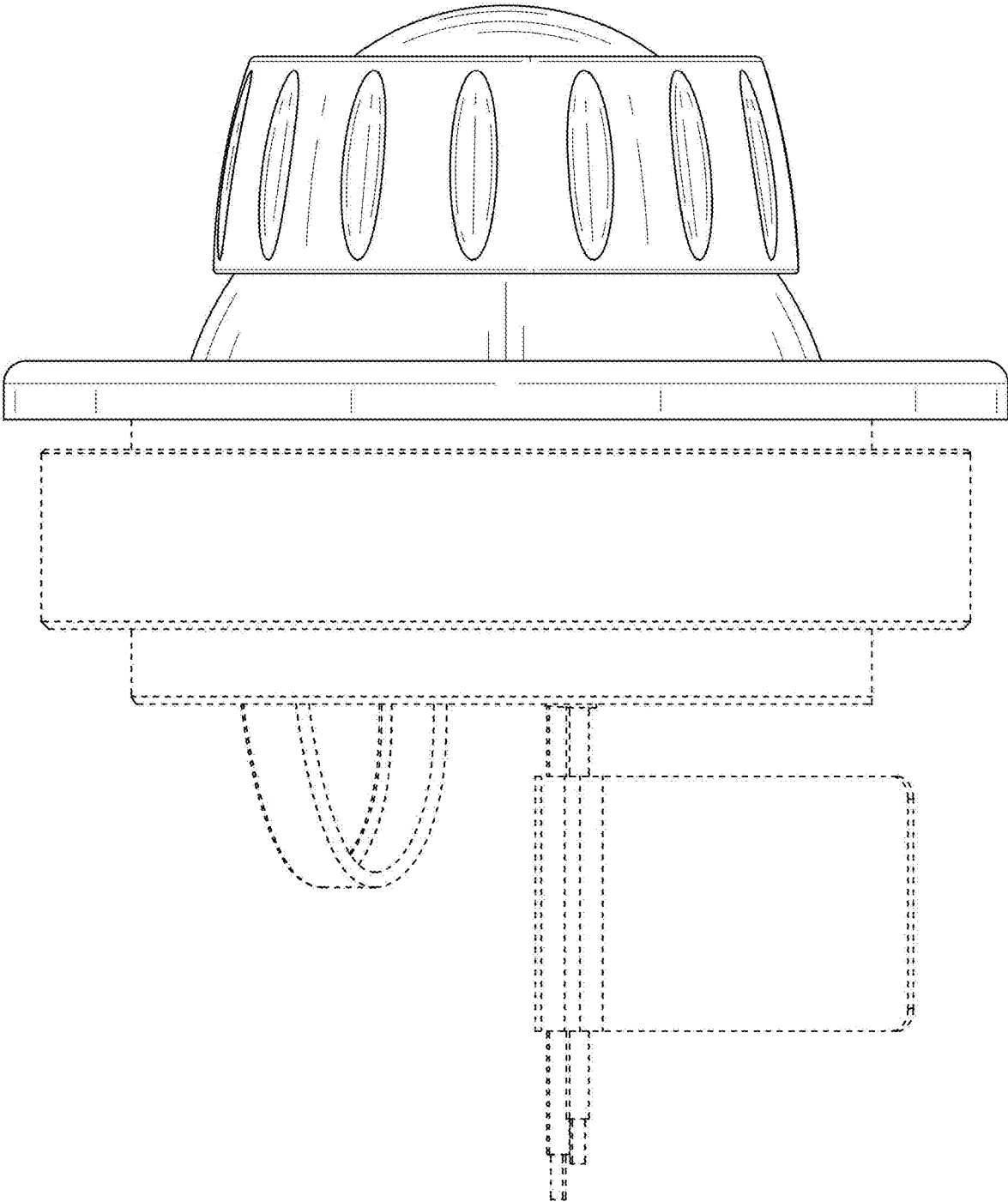


FIG. 2

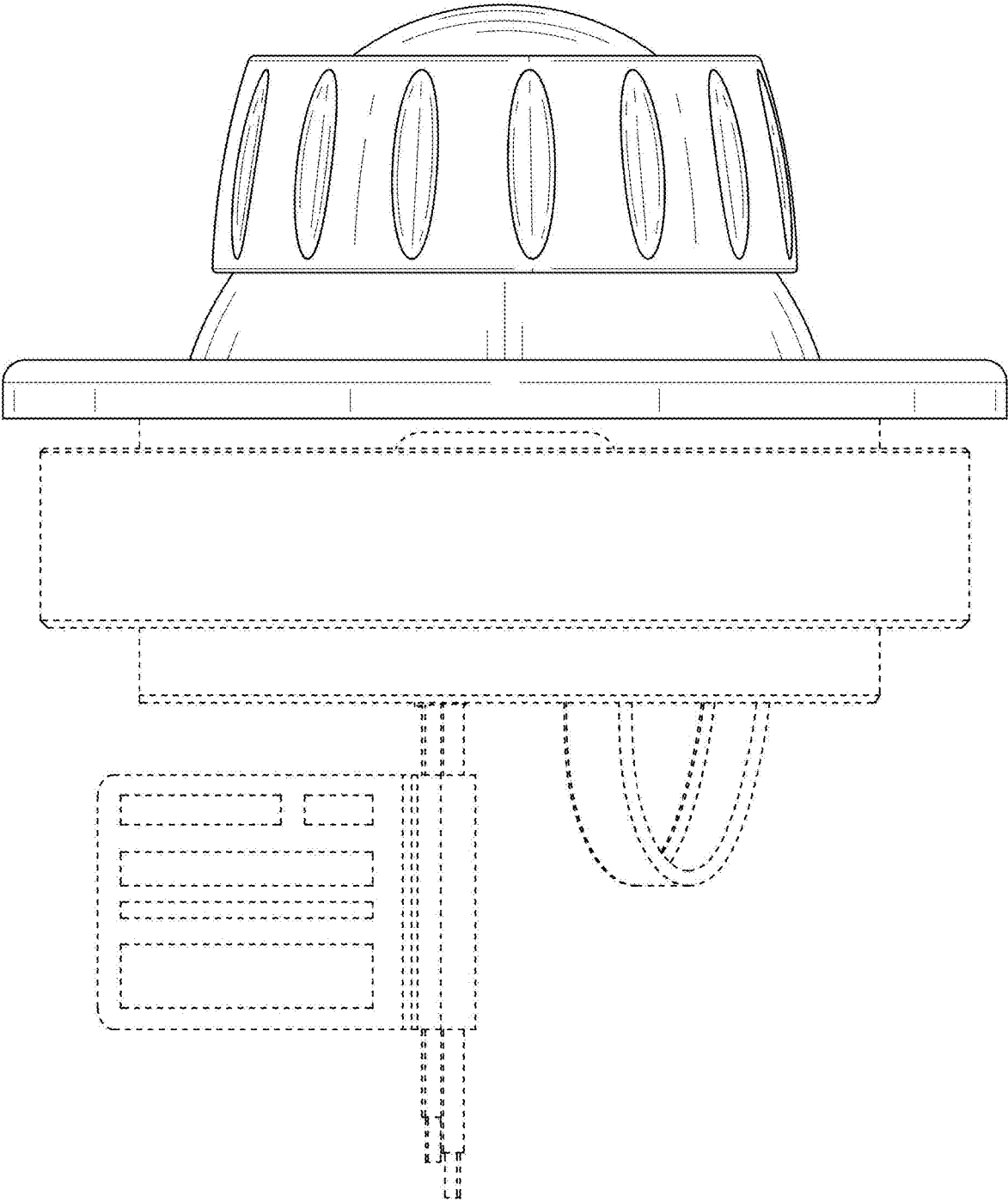


FIG. 3

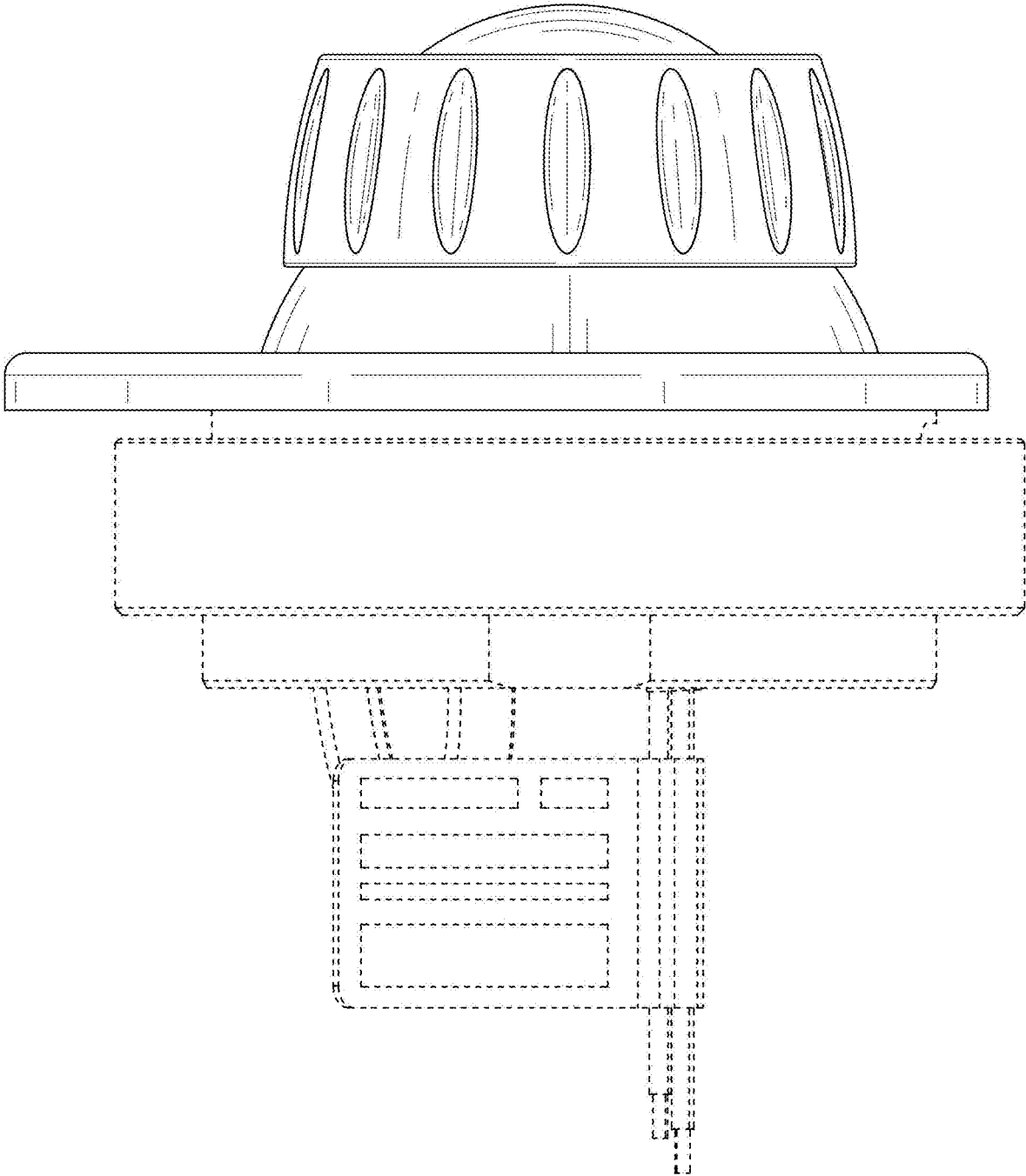


FIG. 4

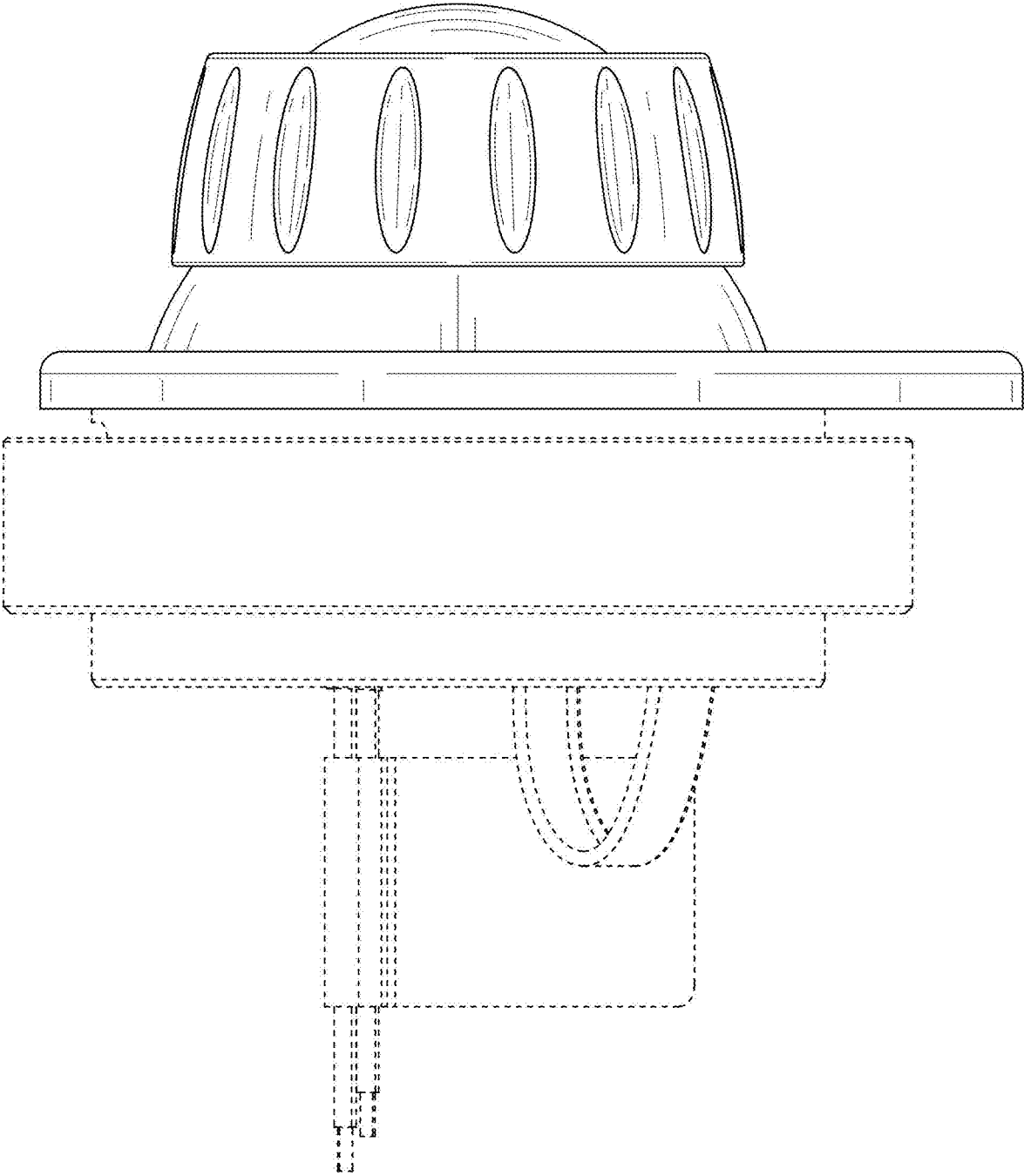


FIG. 5

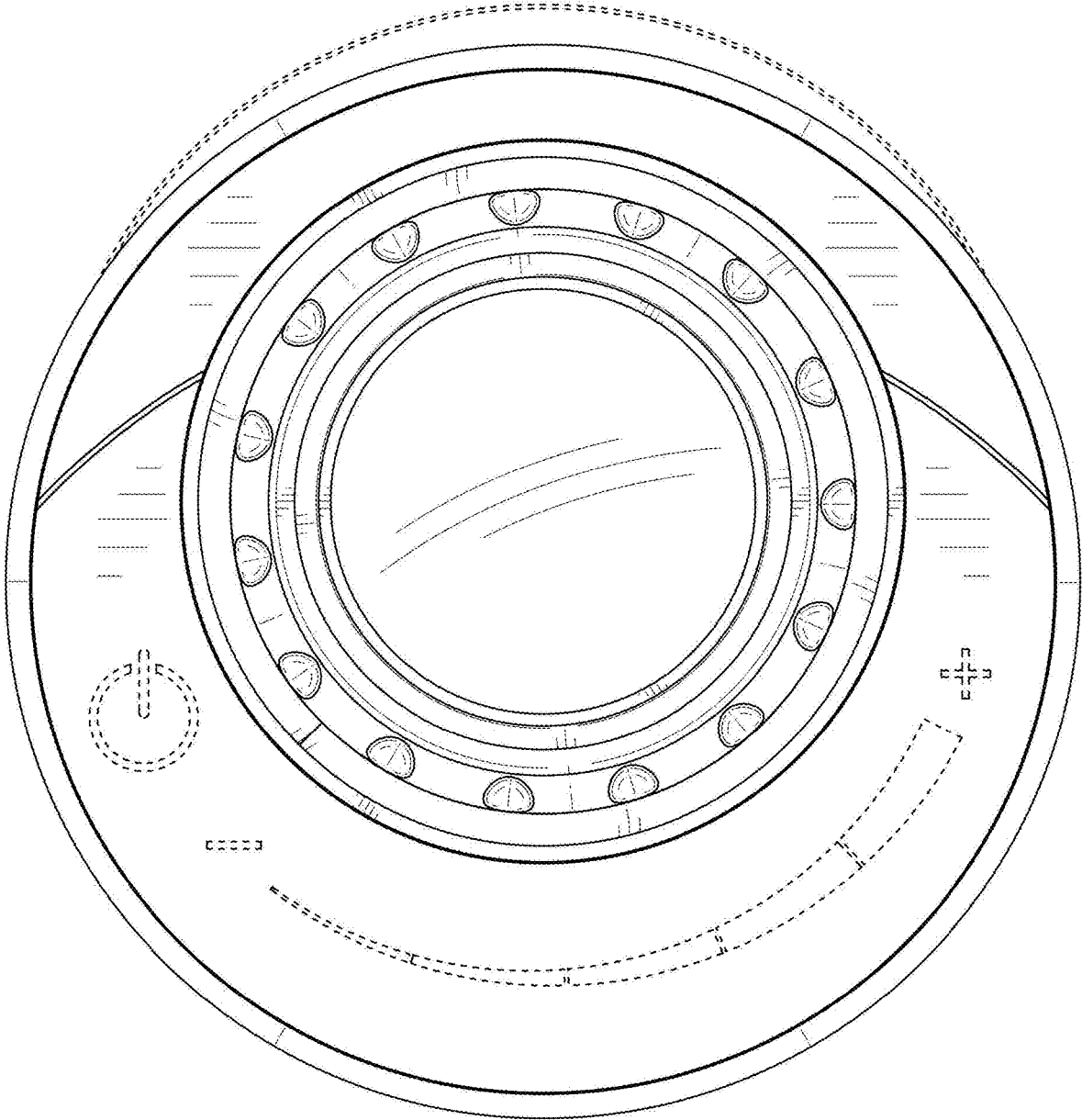


FIG. 6

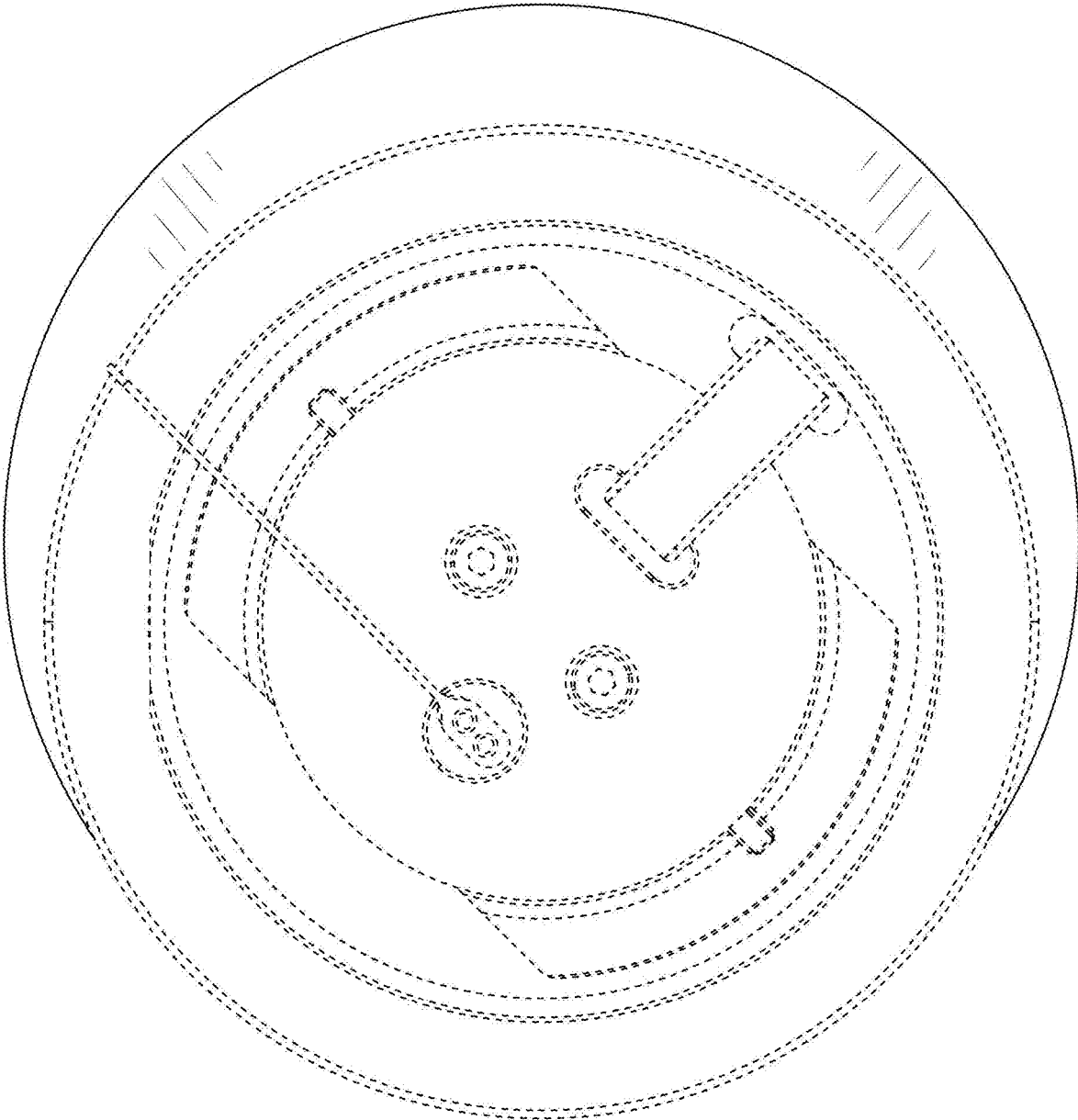


FIG. 7