



US0D1066690S

(12) **United States Design Patent**  
**Miller**

(10) **Patent No.:** **US D1,066,690 S**  
(45) **Date of Patent:** **\*\* Mar. 11, 2025**

(54) **ARM SLING**

FOREIGN PATENT DOCUMENTS

(71) Applicant: **Richard Brian Miller**, Bloomington, IL (US)

GB 4009076 \* 12/2008

(72) Inventor: **Richard Brian Miller**, Bloomington, IL (US)

OTHER PUBLICATIONS

(\*\*) Term: **15 Years**

Harris Hemi-Arm Sling, Black, Right, posted Mar. 9, 2012 [online], [retrieved Mar. 7, 2024]. Retrieved from internet, <https://www.amazon.com/Harris-Hemi-Arm-Sling-Black-Right/dp/B008DW0WAK/> (Year: 2012).\*

(21) Appl. No.: **29/822,390**

(Continued)

(22) Filed: **Jan. 7, 2022**

*Primary Examiner* — Kendra Leslie Hamilton

(51) **LOC (15) Cl.** ..... **24-02**

*Assistant Examiner* — Elizabeth S Struble

(52) **U.S. Cl.**  
USPC ..... **D24/190**

(74) *Attorney, Agent, or Firm* — Barry Choobin; Patent 360

(58) **Field of Classification Search**  
USPC ..... D24/190, 171, 188, 189, 192, 200, 206;  
D2/626, 627, 629, 639, 640, 703, 946;  
D3/10, 215, 318, 327, 328; D21/683,  
D21/685, 774, 805; D29/101.2, 101.5,  
D29/120.1, 121.2, 122  
CPC .. A61F 5/3738; A61F 5/3753; A61F 5/37233;  
A61F 5/0111; A61F 5/02; A61F 5/024;  
A61F 5/026; A61F 5/028; A61F 5/03;  
A61F 5/04; A61F 5/30; A61F 5/1433;  
Y10T 24/47; Y10S 128/15; Y10S 128/23  
See application file for complete search history.

(57) **CLAIM**

The ornamental design for an arm sling, as shown and described.

**DESCRIPTION**

FIG. 1 is a front view of an arm sling, showing my new design;  
FIG. 2 is a rear view thereof;  
FIG. 3 is a front view of the arm sling of FIG. 1 in a configuration of use;  
FIG. 4 is an enlarged view of portion 4 indicated in FIG. 1;  
FIG. 5 is an enlarged view of portion 5 indicated in FIG. 1;  
FIG. 6 is an enlarged view of portion 6 indicated in FIG. 2;  
FIG. 7 is an enlarged view of portion 7 indicated in FIG. 2;  
and,  
FIG. 8 is an enlarged view of portion 8 indicated in FIG. 3.  
The broken lines illustrating a person in FIG. 3 depict an environment of use that forms no part of the claimed design. The broken lines depict portions of the arm sling that form no part of the claimed design.

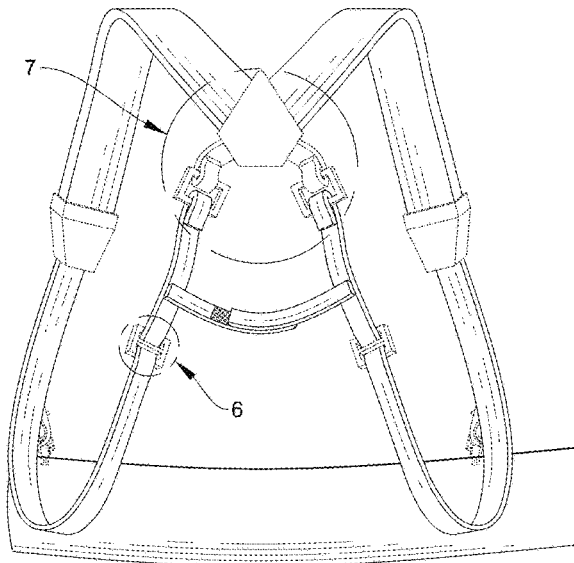
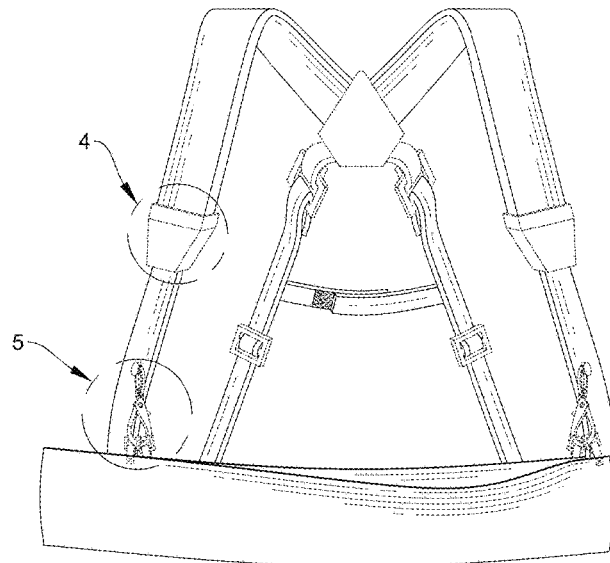
(56) **References Cited**

U.S. PATENT DOCUMENTS

1,050,257 A \* 1/1913 Trigg ..... A61F 5/026  
2/310  
D267,976 S \* 2/1983 Hammer et al. .... D24/190  
4,526,164 A \* 7/1985 Bihl ..... A61F 5/3738  
D24/190  
D423,759 S \* 5/2000 Dancyger ..... D2/626  
D504,518 S \* 4/2005 Diaz ..... D24/190  
D557,811 S \* 12/2007 Brooks ..... D24/190

(Continued)

**1 Claim, 6 Drawing Sheets**



(56)

**References Cited**

U.S. PATENT DOCUMENTS

D995,799 S \* 8/2023 Zhou ..... D24/190

OTHER PUBLICATIONS

FlexGuard Support Lightweight Arm Sling for Pain Relief and Shoulder Immobilizer, posted Dec. 2, 2016 [online], [retrieved Mar. 7, 2024]. Retrieved from internet, <https://www.amazon.com/Shoulder-Adjustable-Support-Immobilizer-Recovery/dp/B01N1NW99B/> (Year: 2016).\*

\* cited by examiner

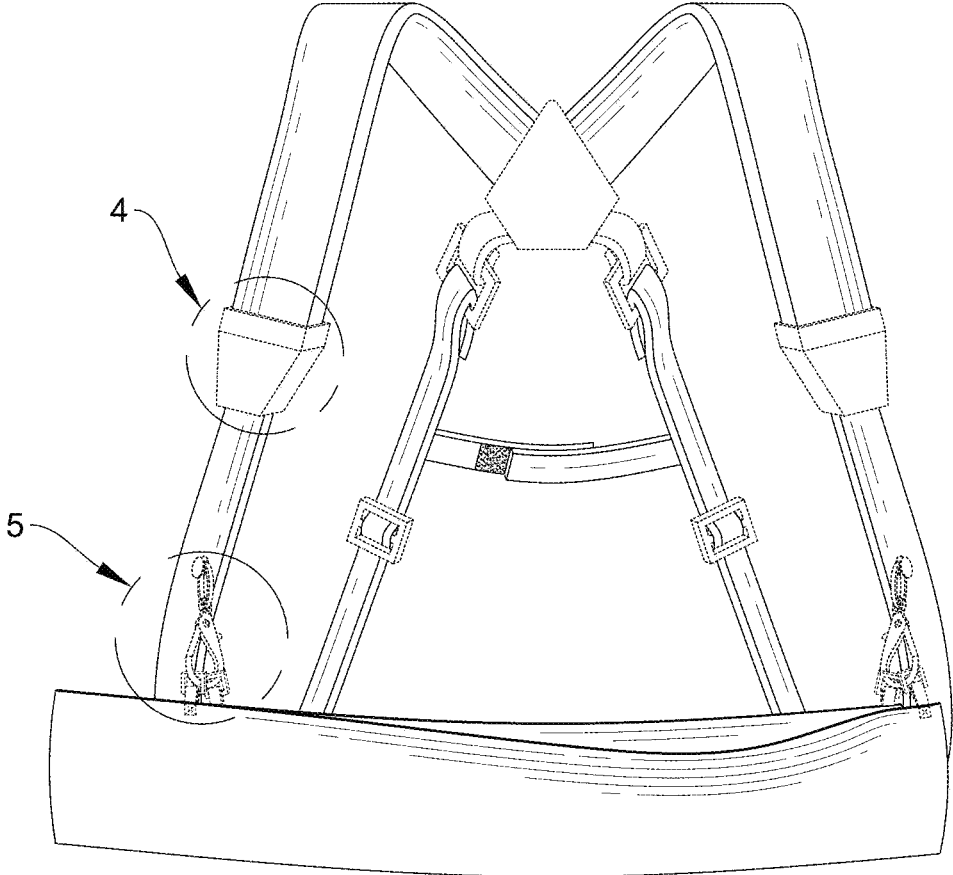


FIG. 1

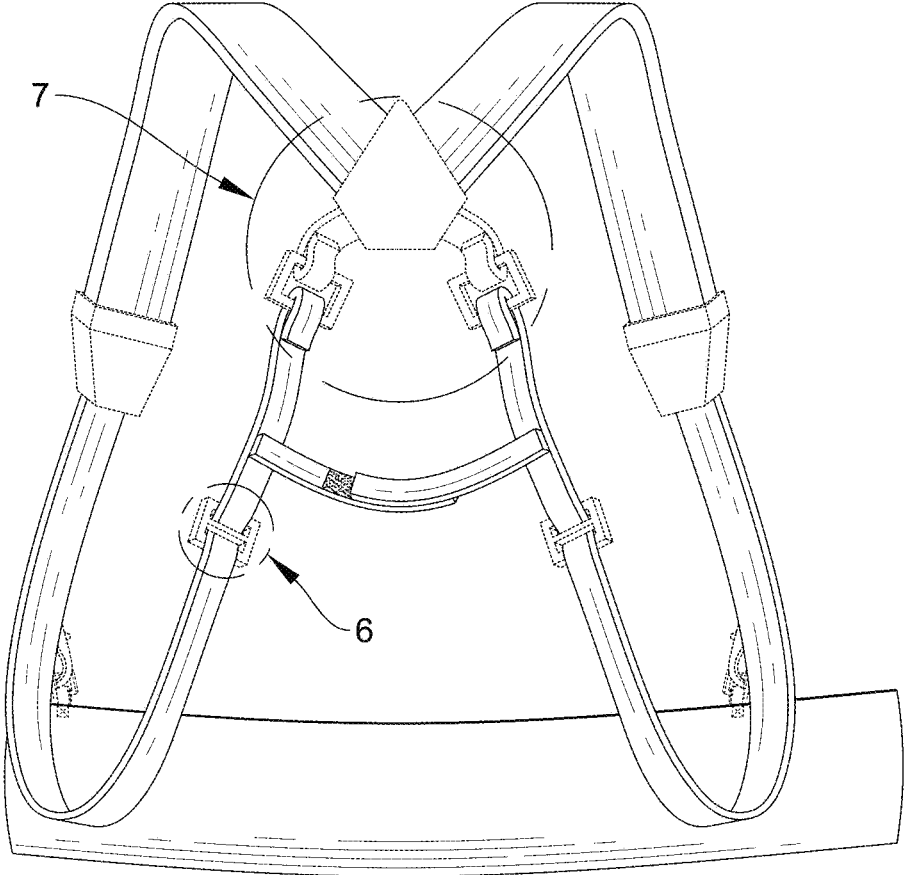


FIG. 2

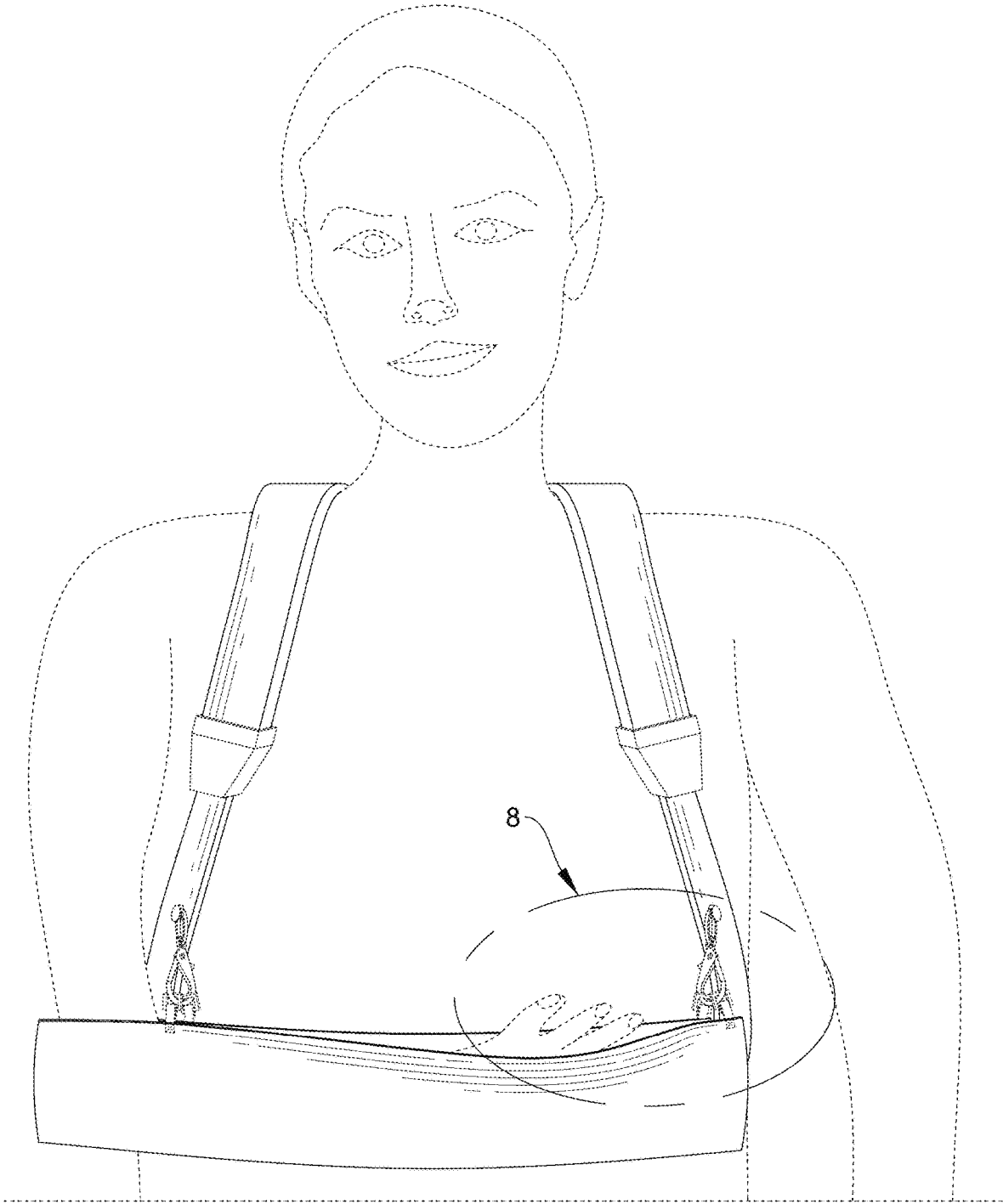


FIG. 3

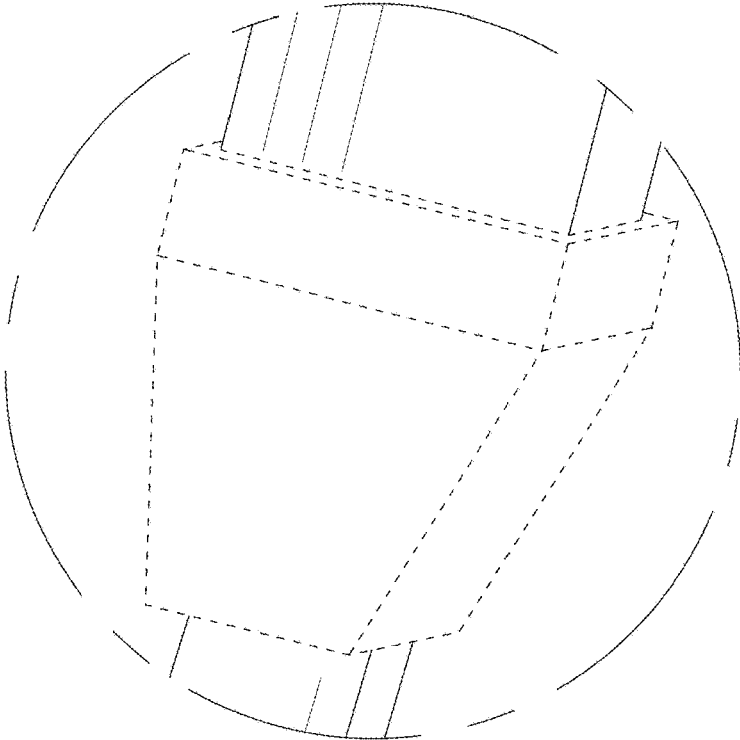


FIG. 4

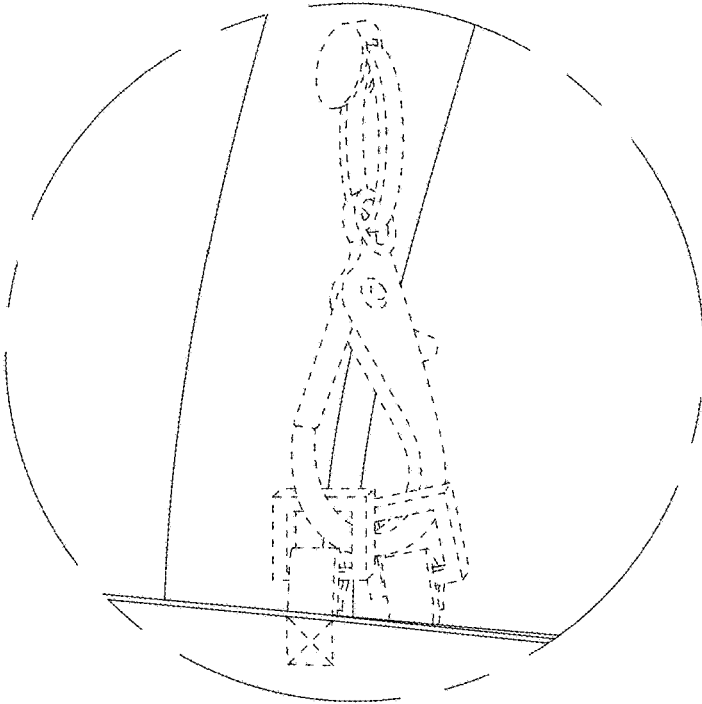


FIG. 5

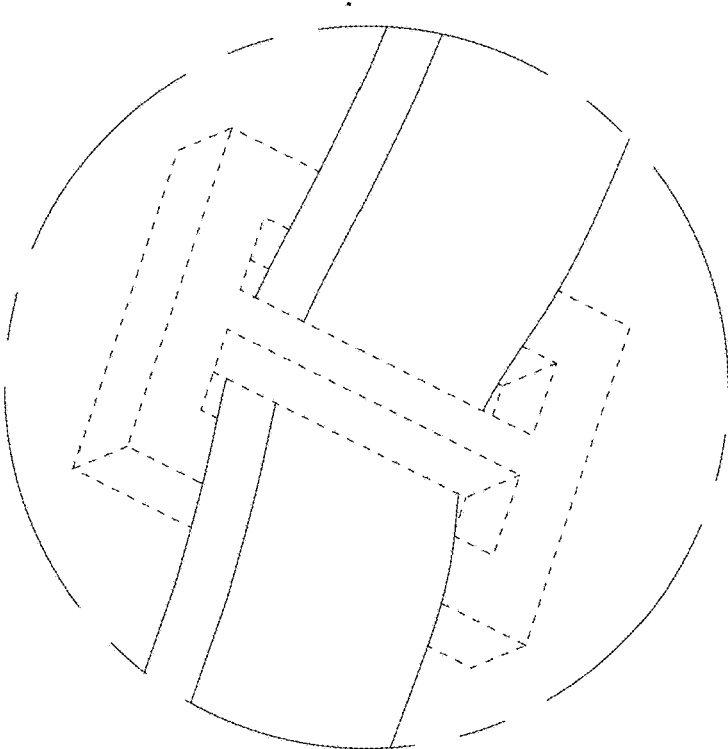


FIG. 6

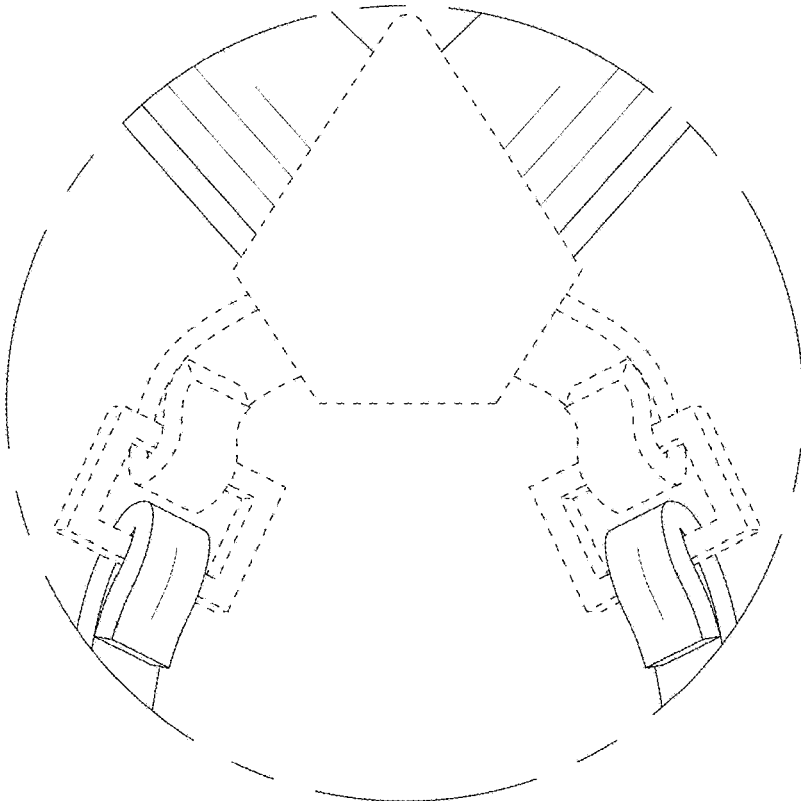


FIG. 7

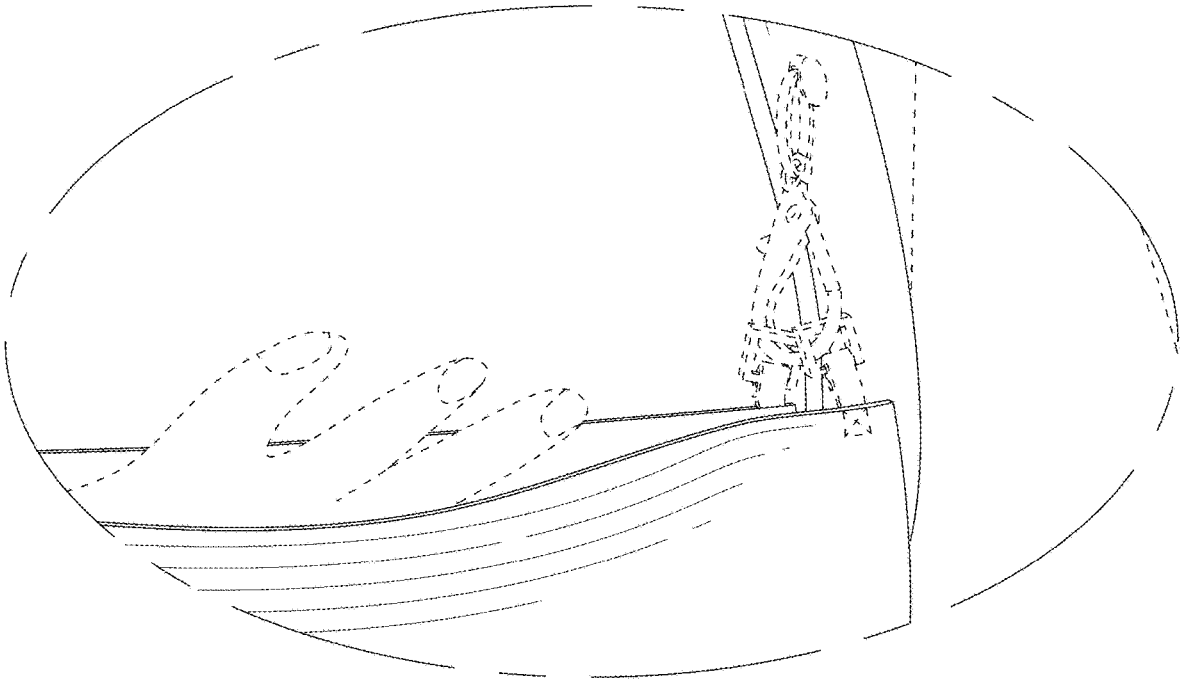


FIG. 8