



US0D1068114S

(12) **United States Design Patent**
Reed

(10) **Patent No.:** **US D1,068,114 S**
(45) **Date of Patent:** **** Mar. 25, 2025**

(54) **FINNED WINDOW**

FOREIGN PATENT DOCUMENTS

(71) Applicant: **Steven Reed**, Pittsburg, CA (US)

CN 306177393 * 11/2020
CN 307727570 * 12/2022
JP D1253355 * 10/2005

(72) Inventor: **Steven Reed**, Pittsburg, CA (US)

(**) Term: **15 Years**

OTHER PUBLICATIONS

(21) Appl. No.: **29/839,986**

Amazon.com online, Duo-Corp Agriclass, Date first available on Amazon Jan. 16, 2007, Retrieved from internet [Aug. 5, 2024] URL: <https://www.amazon.com/Duo-Corp-Agriclass-Double-Tempered-Utility/dp/B000LF5UFY> (Year: 2007).*

(22) Filed: **May 25, 2022**

(51) **LOC (15) Cl.** **25-02**

(52) **U.S. Cl.**
USPC **D25/48.7**

(58) **Field of Classification Search**
USPC D25/48.7, 35, 48, 54; D12/190;
D26/139
CPC E06B 7/28; E06B 7/02; E06B 1/36; E06B
1/363; E06B 1/38; E06B 1/702; E06B
2001/622; E06B 3/00; E06B 3/26347;
E05Y 2900/148; E05Y 2900/55; Y10S
292/20

See application file for complete search history.

(Continued)

Primary Examiner — S. Bryan Reinholdt, Jr.
Assistant Examiner — Andrew D Golson
(74) *Attorney, Agent, or Firm* — Barry Choobin; Patent
360

(57) **CLAIM**

The ornamental design for a finned window, as shown and described.

DESCRIPTION

FIG. 1 is a perspective view of a finned window, showing my new design;
FIG. 2 is a front view thereof;
FIG. 3 is a rear view thereof;
FIG. 4 is a right side view thereof;
FIG. 5 is a left side view thereof;
FIG. 6 is a top view thereof;
FIG. 7 is a bottom view thereof; and,
FIG. 8 is another perspective view thereof shown in an environment of use.

The broken lines in FIG. 8 illustrate the finned window shown in a use state mounted to an inner side of a frame, the frame is mounted to a wall of a room, and the frame and the wall are for environmental purposes only and form no part of the claimed design.

The broken lines in FIGS. 1-3 and 8 depict portions of the article that form no part of the claimed design.

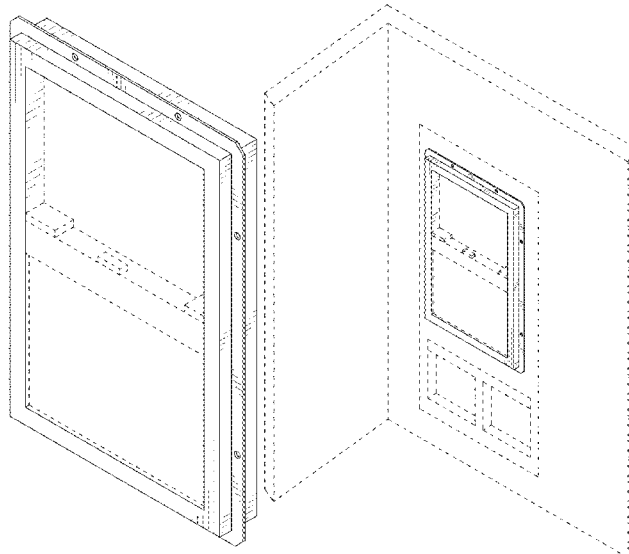
(56) **References Cited**

U.S. PATENT DOCUMENTS

548,218 A * 10/1895 Oliver E06B 3/4609
292/228
908,202 A * 12/1908 Carlson E06B 3/4609
49/447
1,136,784 A * 4/1915 Fair E06B 7/02
49/63
2,629,902 A * 2/1953 Stollman E06B 7/02
49/65
D211,457 S * 6/1968 Anderson D25/60
D248,242 S * 6/1978 Huelsekopf D25/122
4,210,191 A * 7/1980 Li E06B 3/285
160/354
D299,544 S * 1/1989 Nolan D25/48.7

(Continued)

1 Claim, 6 Drawing Sheets



(56) **References Cited**

U.S. PATENT DOCUMENTS

5,018,325	A *	5/1991	Geen	E06B 1/62 52/211
D365,883	S *	1/1996	Forbis	D25/48.7
D603,056	S *	10/2009	Ray	D25/48.7
D618,363	S *	6/2010	Card	D25/48.7
D719,679	S *	12/2014	Diether	D25/48.7
D907,248	S *	1/2021	DeBoer	D25/48.7
2017/0058593	A1 *	3/2017	Albrecht	E06B 1/60
2018/0058135	A1 *	3/2018	Vos	E06B 1/6023
2021/0246716	A1 *	8/2021	Luvison	E06B 3/9647

OTHER PUBLICATIONS

Amazon.com online, Obscured glass, Date first available on Amazon Mar. 23, 2016, Retrieved from internet [Aug. 5, 2024] URL: <https://www.amazon.com/OBSCURED-14X27-Insulated-Thermopane-Included/dp/B01DDV8BPI/> (Year: 2016).*

Double Panel Window Vinyl website Amazon, Earliest Internet Web Archive date Aug. 31, 2022, Available on internet URL: <https://www.amazon.com/Shed-Windows-More-Tempered-Vertical/dp/B0BCL5LF6K> (Year: 2022).*

Double Panel Window Vinyl website Lowes, Earliest Internet Web Archive date Oct. 23, 2024, Available on internet URL: <https://www.lowes.com/pd/Pella-150-Series-New-Construction-37-1-2-in-x-35-1-2-in-x-4-3-16-in-Jamb-White-Vinyl-Low-e-Argon-Double-Hung-Window-Full-Screen-Included/5001228717> (Year: 2024).*

* cited by examiner

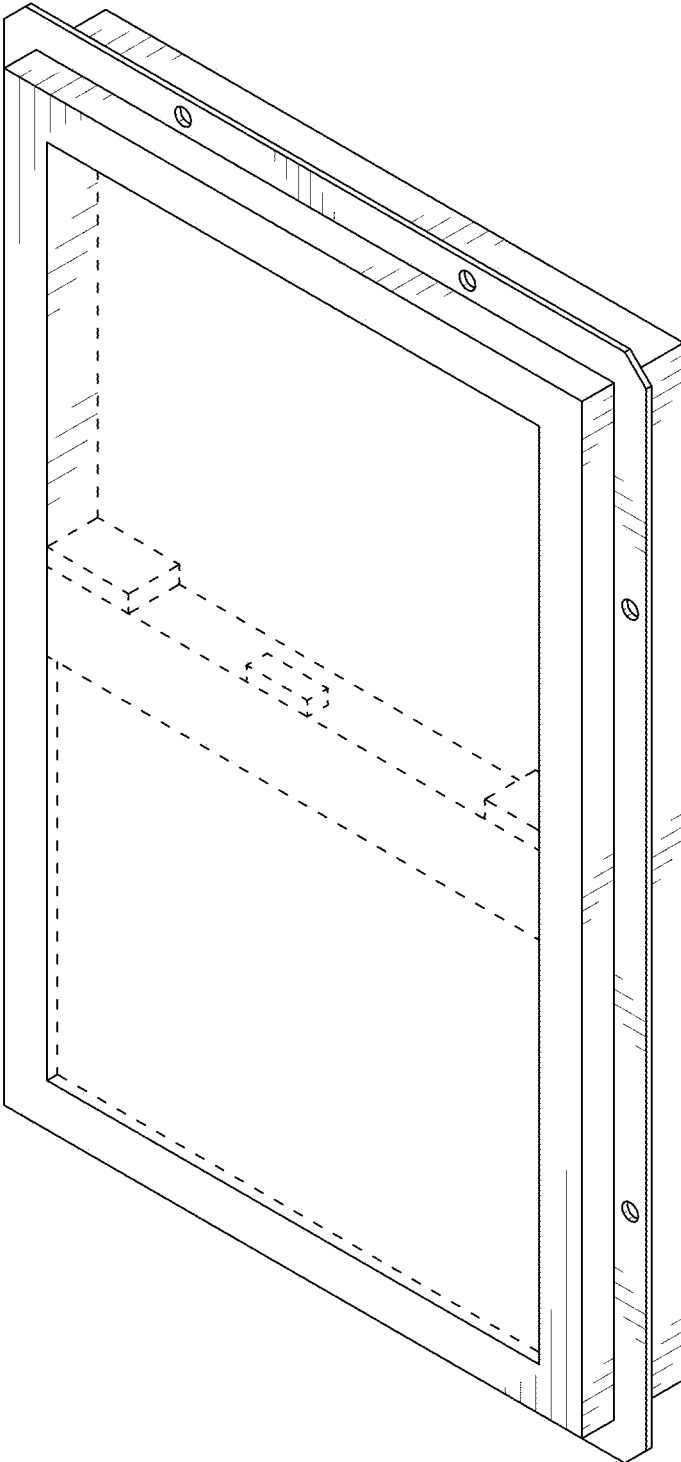


FIG. 1

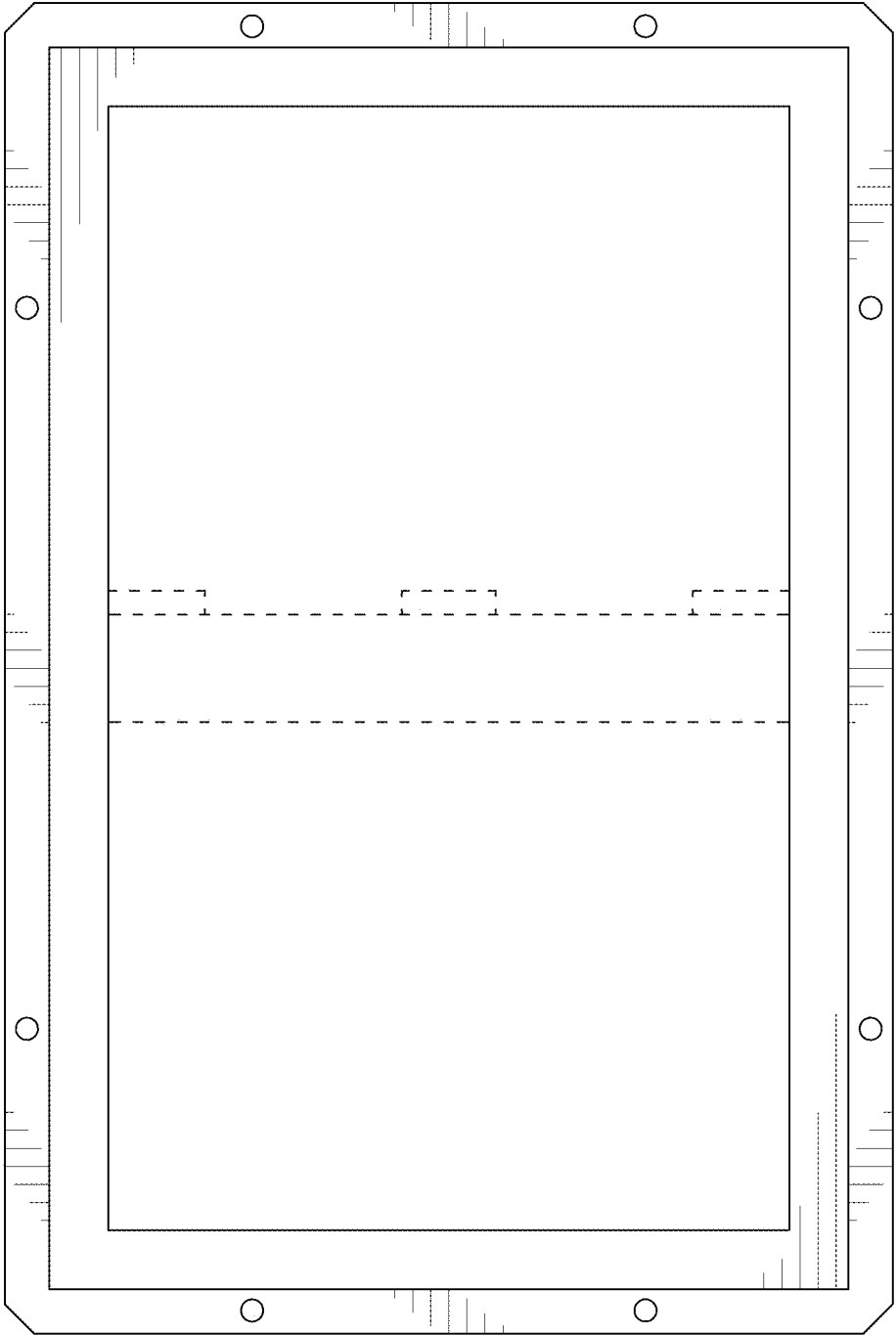


FIG. 2

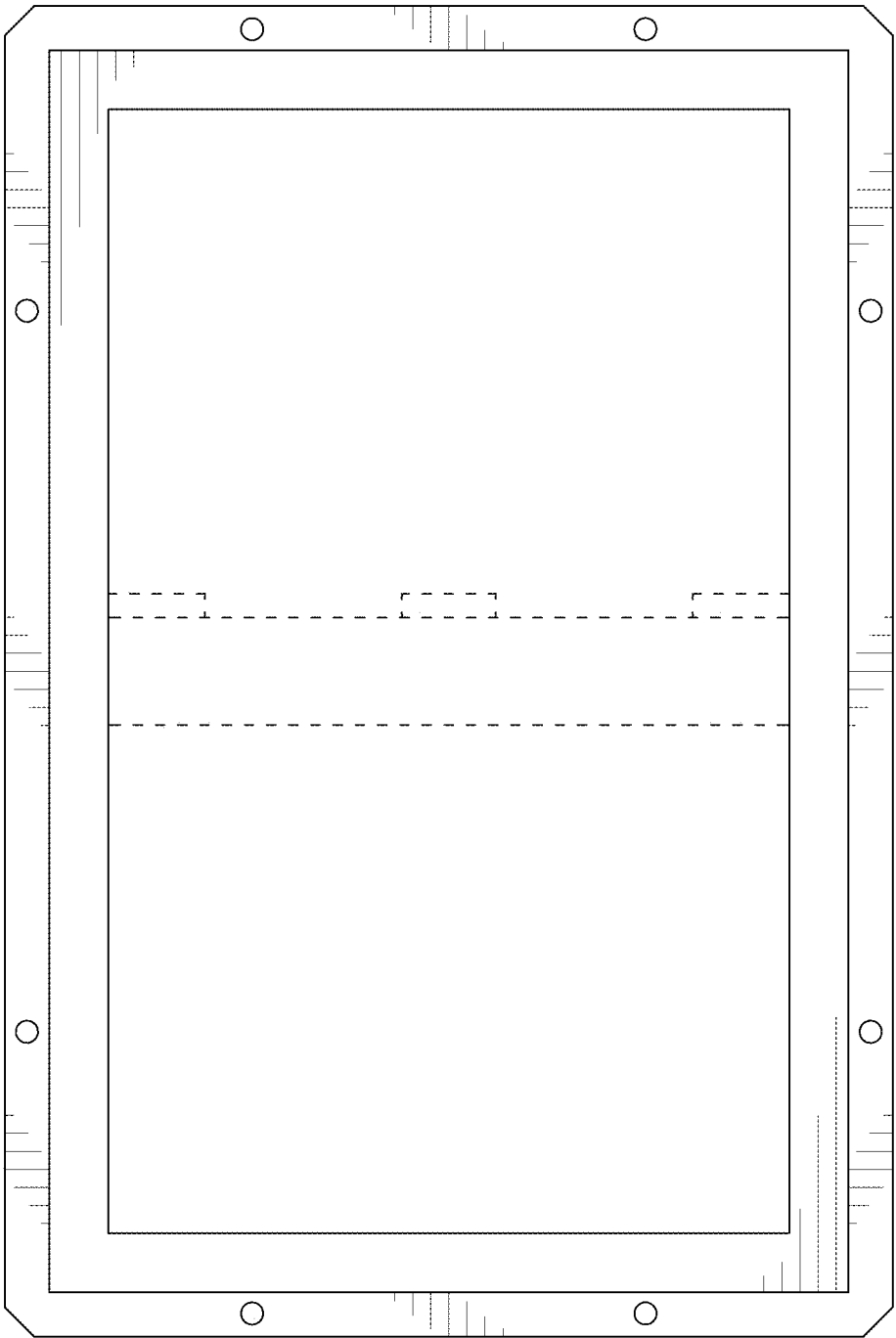


FIG. 3

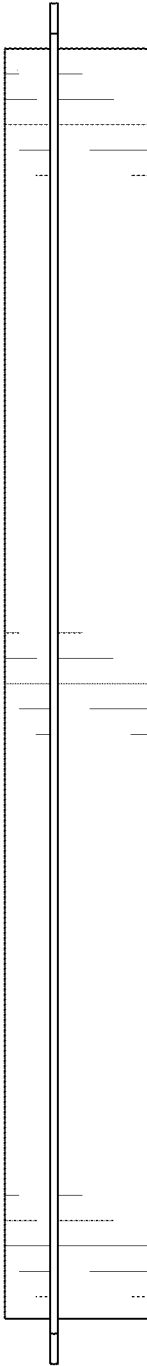


FIG. 4

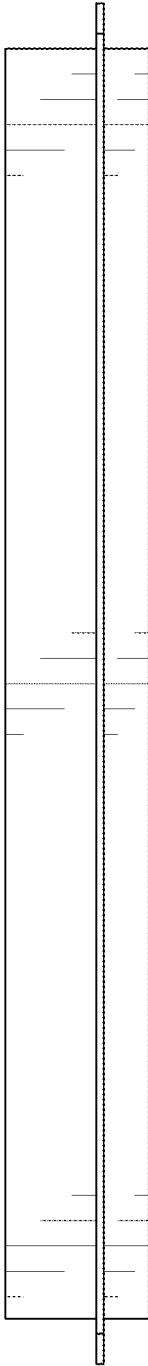


FIG. 5

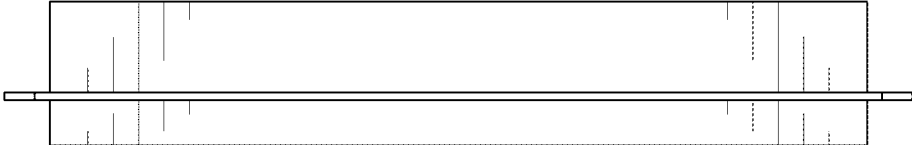


FIG. 6

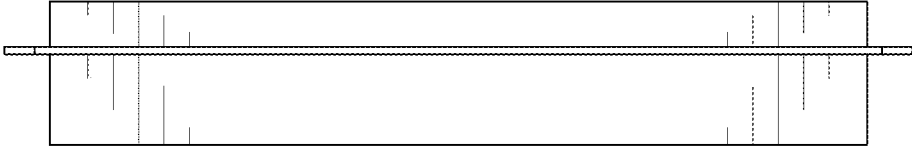


FIG. 7

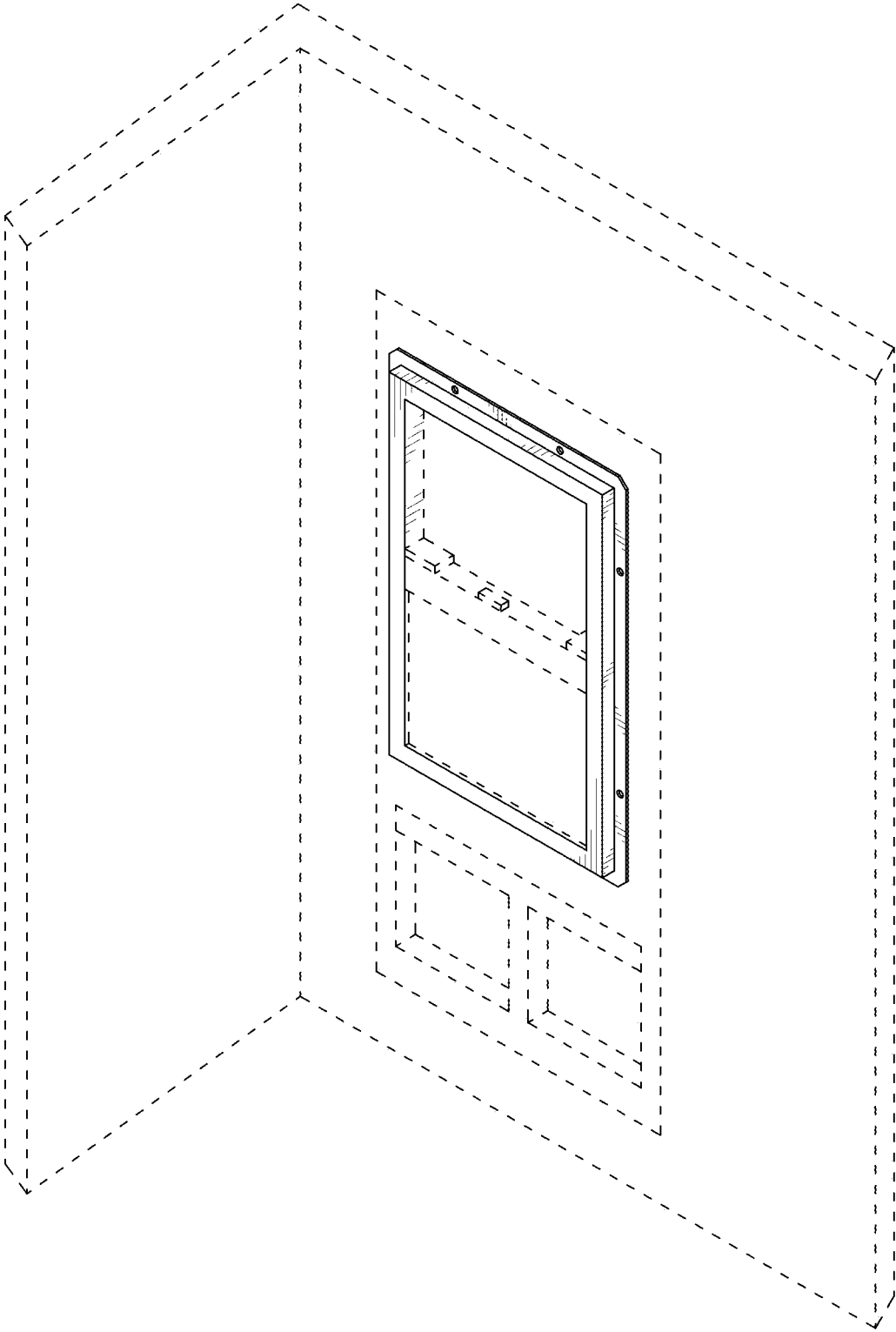


FIG. 8