



US0D1041756S

(12) **United States Design Patent**
Tehrani

(10) **Patent No.:** **US D1,041,756 S**

(45) **Date of Patent:** **** Sep. 10, 2024**

(54) **HAIR CLIPPER**

(71) Applicant: **Eldad Tehrani**, Chatsworth, CA (US)

(72) Inventor: **Eldad Tehrani**, Chatsworth, CA (US)

(**) Term: **15 Years**

(21) Appl. No.: **29/928,364**

(22) Filed: **Feb. 9, 2024**

(51) **LOC (14) Cl.** **28-03**

(52) **U.S. Cl.**
USPC **D28/53**

(58) **Field of Classification Search**
USPC D28/44, 45, 47, 48, 49, 51, 52, 53, 54;
206/208, 228, 351, 352; 30/54; D9/748
CPC B26B 19/00; B26B 19/38; B26B 19/382;
B26B 19/3806; B26B 21/00; B26B 21/10;
B26B 21/40; B26B 21/165; A45D 27/00
See application file for complete search history.

(56) **References Cited**

U.S. PATENT DOCUMENTS

D522,694 S *	6/2006	Shin	D28/53
D653,812 S *	2/2012	Julemont	D28/53
D696,459 S	12/2013	Chan	
D722,200 S *	2/2015	Nitsch	D28/53
D784,618 S *	4/2017	Mori	D28/53
D784,619 S *	4/2017	Mori	D28/53
D790,132 S	6/2017	Aulwes et al.	
D808,592 S *	1/2018	Fleming	D28/53
D814,703 S *	4/2018	Aulwes	D28/53
D844,245 S	3/2019	Wu	
D869,769 S *	12/2019	Zhang	D28/53
D912,327 S *	3/2021	Jiang	D28/53
D922,686 S	6/2021	Jiang	
D923,247 S	6/2021	Jiang	
D939,774 S	12/2021	Jiang	
D946,827 S	3/2022	Hunt et al.	
D950,851 S *	5/2022	Cai	D28/53
D952,257 S	5/2022	Jiang	

D965,895 S *	10/2022	Werner	D28/53
D972,780 S	12/2022	Wang	
D980,530 S *	3/2023	Colpitts	D28/53

(Continued)

FOREIGN PATENT DOCUMENTS

CN	3456178	*	6/2005	
CN	301114307	*	1/2010	

(Continued)

OTHER PUBLICATIONS

Supreme Trimmer 2Spee Hair Clipper [online], [publication date is Jan. 31, 2024]. [Retrieved from the internet on Mar. 13, 2024]. URL: <<https://www.amazon.com/Supreme-Trimmer-Removable-Cordless-Professional/dp/B0CTNWRZYB?ref=>>. (Year: 2024).*

(Continued)

Primary Examiner — Karen E Eldridge Powers
Assistant Examiner — Margaret Leah Bryan
(74) *Attorney, Agent, or Firm* — Barry Choobin; Patent 360

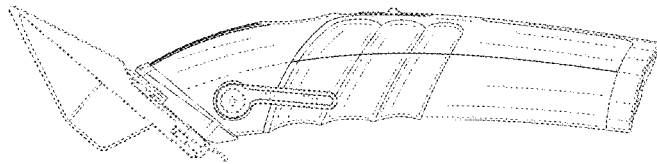
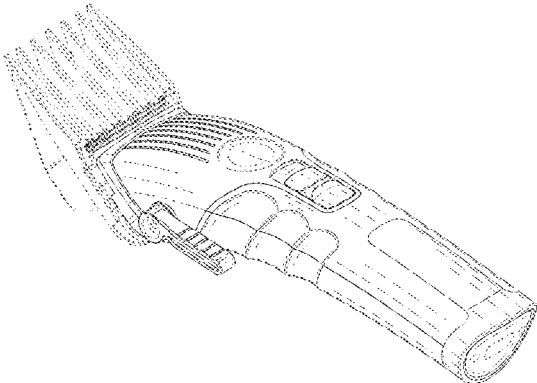
(57) **CLAIM**

The ornamental design for a hair clipper, as shown and described.

DESCRIPTION

FIG. 1 is a perspective view of a hair clipper, showing my new design;
FIG. 2 is a front view thereof;
FIG. 3 is a rear view thereof;
FIG. 4 is a right side view thereof;
FIG. 5 is a left side view thereof;
FIG. 6 is a top view thereof; and,
FIG. 7 is a bottom view thereof.
The broken lines depict portions of the hair clipper that form no part of the claimed design.

1 Claim, 6 Drawing Sheets



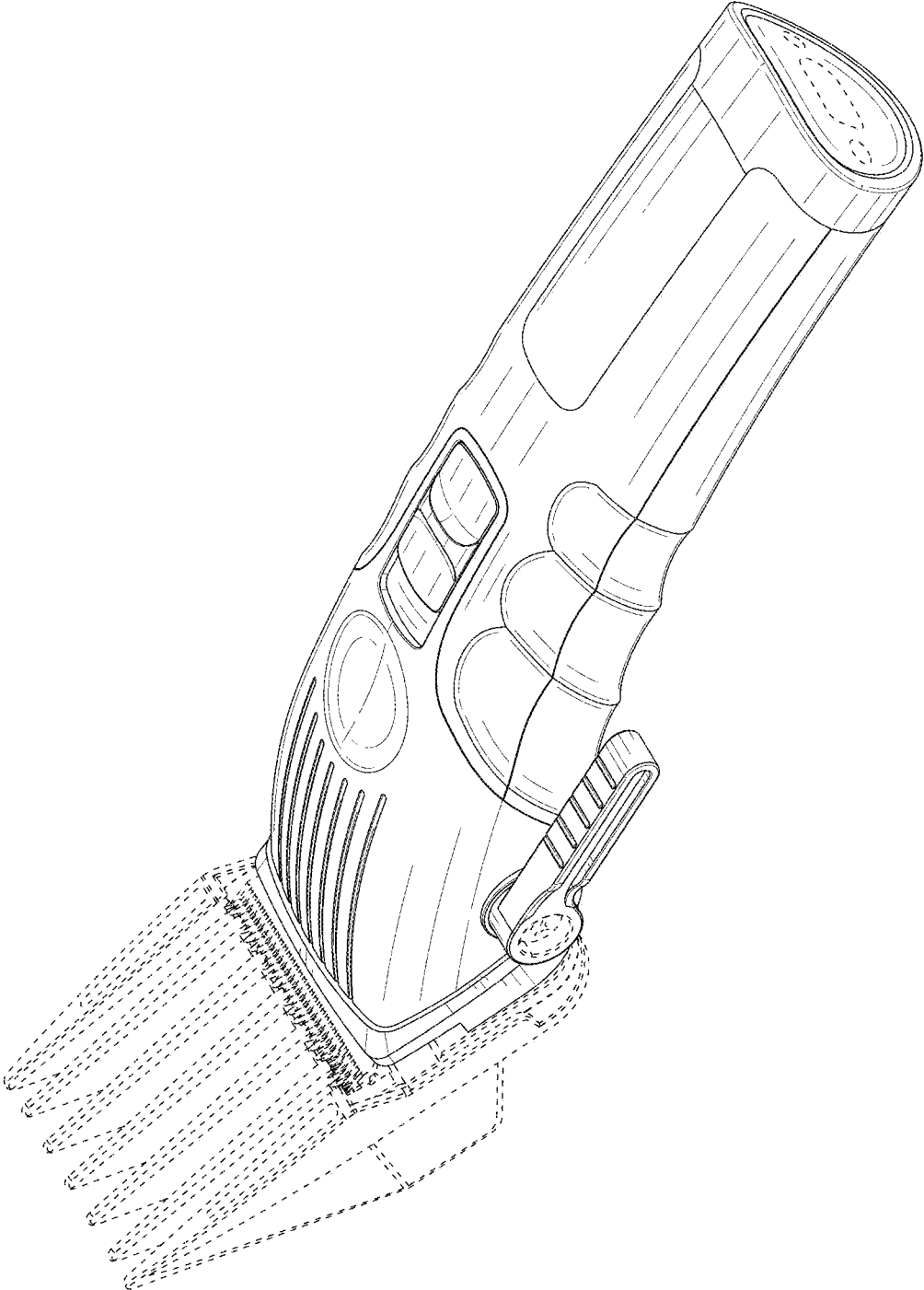


FIG. 1

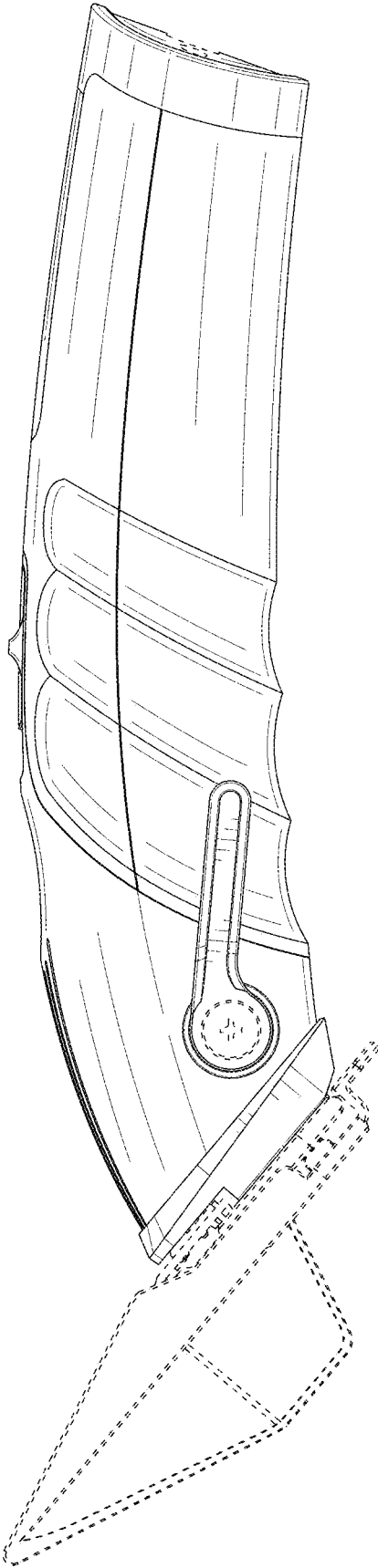


FIG. 2

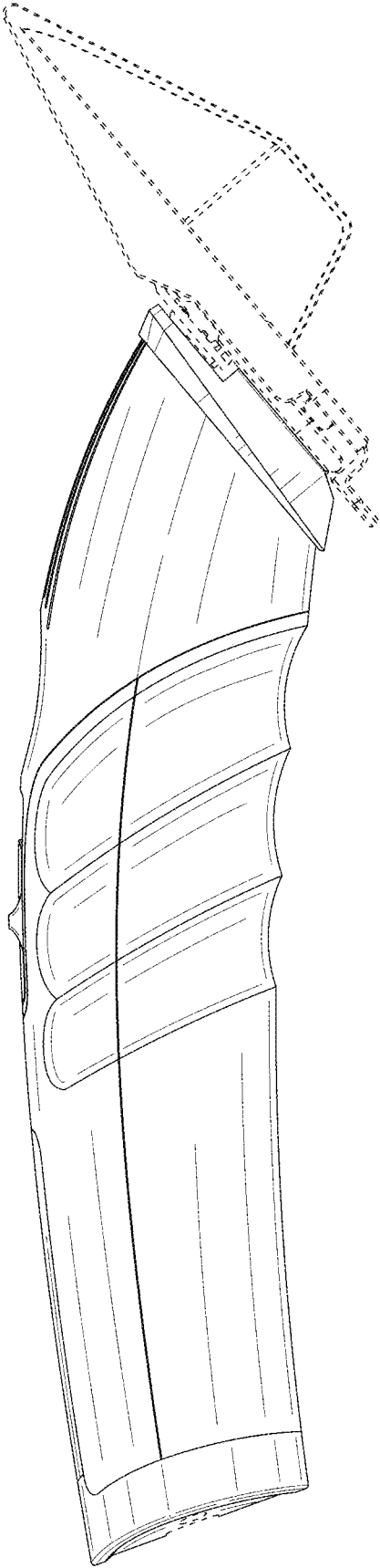


FIG. 3

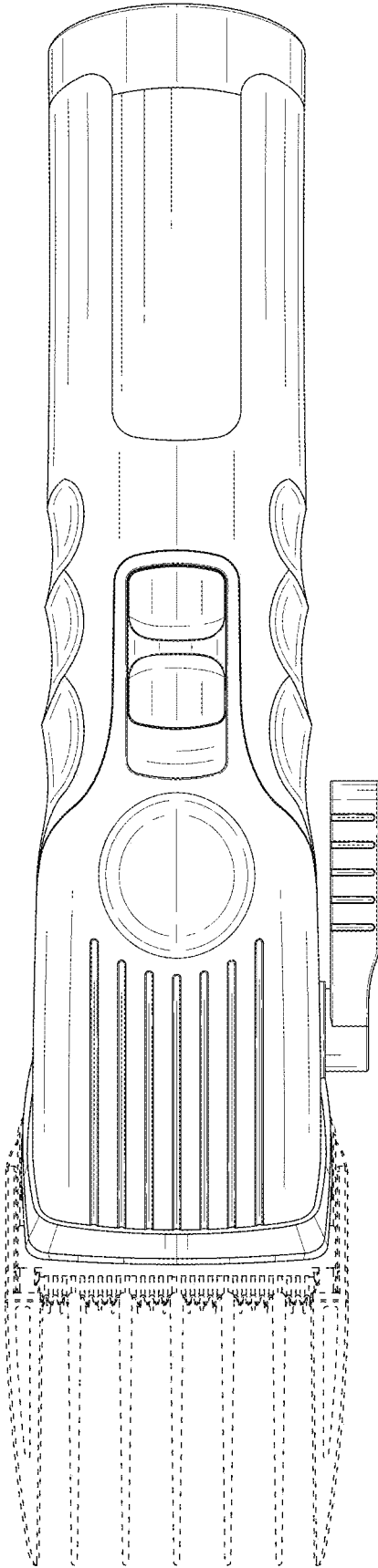


FIG. 4

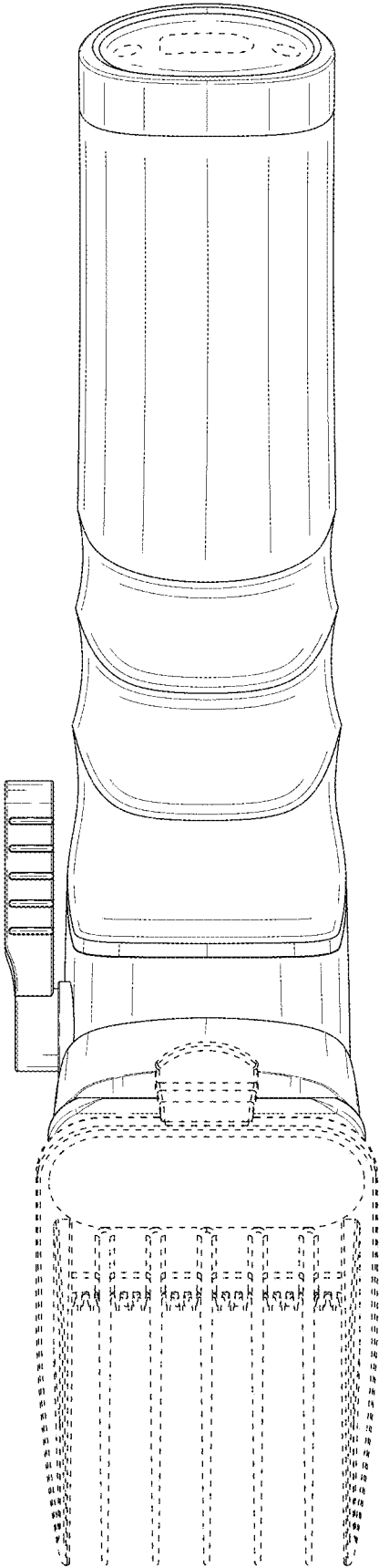


FIG. 5

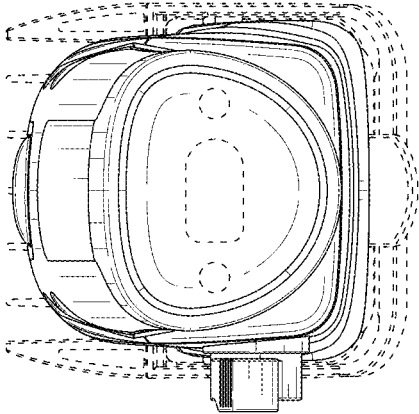


FIG. 7

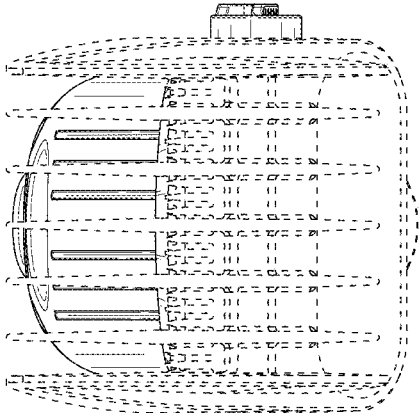


FIG. 6