



US0D1041755S

(12) **United States Design Patent**
Tehrani

(10) **Patent No.:** **US D1,041,755 S**

(45) **Date of Patent:** **** Sep. 10, 2024**

(54) **HAIR CLIPPER**

(71) Applicant: **Eldad Tehrani**, Chatsworth, CA (US)

(72) Inventor: **Eldad Tehrani**, Chatsworth, CA (US)

(**) Term: **15 Years**

(21) Appl. No.: **29/927,784**

(22) Filed: **Feb. 6, 2024**

(51) **LOC (14) Cl.** **28-03**

(52) **U.S. Cl.**
USPC **D28/53**

(58) **Field of Classification Search**

USPC D28/44, 45, 47, 48, 49, 51, 52, 53, 54;
206/208, 228, 351, 352; 30/54; D9/748
CPC B26B 19/00; B26B 19/38; B26B 19/382;
B26B 19/3806; B26B 21/00; B26B 21/10;
B26B 21/40; B26B 21/165; A45D 27/00
See application file for complete search history.

(56) **References Cited**

U.S. PATENT DOCUMENTS

3,493,793	A	*	2/1970	Niemela	H02K 33/06 30/45
6,076,263	A	*	6/2000	Andis	B26B 19/06 30/216
D522,694	S	*	6/2006	Shin	D28/53
D771,314	S	*	11/2016	Andersson	D28/53
D851,834	S	*	6/2019	Peterson, Jr. et al.	D28/53
D898,998	S	*	10/2020	Werner	D28/53
D910,918	S	*	2/2021	Jiang	D28/53
D910,919	S	*	2/2021	Jiang	D28/53
D910,920	S	*	2/2021	Jiang	D28/53
D912,328	S	*	3/2021	Jiang	D28/53
D922,686	S	*	6/2021	Jiang	D28/54
D923,247	S	*	6/2021	Jiang	D28/53
D923,248	S	*	6/2021	Jiang	D28/53
D947,454	S	*	3/2022	Cai	D28/53
D948,125	S	*	4/2022	Jiang	D28/53

D970,816	S	*	11/2022	Mao	D28/53
D971,503	S	*	11/2022	Mao	D28/53
D980,531	S	*	3/2023	Colpitts	D28/53

(Continued)

FOREIGN PATENT DOCUMENTS

CN	306068065	*	9/2020
CN	307285264	*	4/2022
EM	015039657-0001	*	11/2023

(Continued)

OTHER PUBLICATIONS

Supreme Trimmer Pro Clipper w/Taper Blade [online], [publication date is May 5, 2022]. [Retrieved from the internet on Mar. 13, 2024]. URL: <<https://www.amazon.com/Hair-Clipper-SUPREME-TRIMMER-Professional/dp/B09ZLVYDHM?ref=>>. (Year: 2022).*

(Continued)

Primary Examiner — Karen E Eldridge Powers

Assistant Examiner — Margaret Leah Bryan

(74) *Attorney, Agent, or Firm* — Barry Choobin; Patent 360

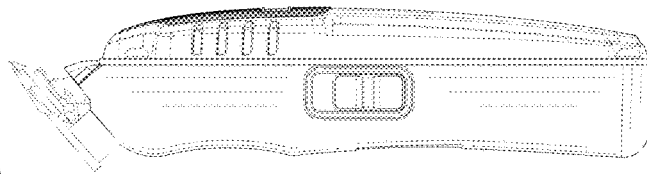
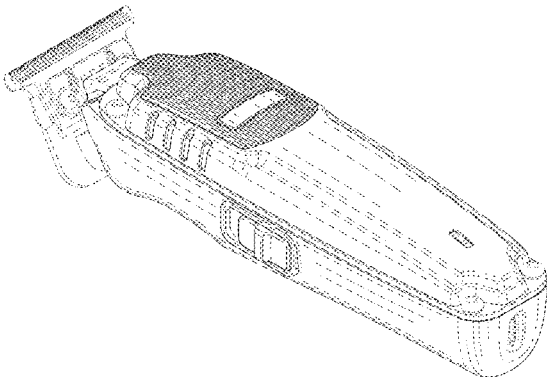
(57) **CLAIM**

The ornamental design for a hair clipper, as shown and described.

DESCRIPTION

FIG. 1 is a perspective view of a hair clipper, showing my new design;
FIG. 2 is a front view thereof;
FIG. 3 is a rear view thereof;
FIG. 4 is a right side view thereof;
FIG. 5 is a left side view thereof;
FIG. 6 is a top view thereof; and,
FIG. 7 is a bottom view thereof.
The broken lines depict portions of the hair clipper that form no part of the claimed design.

1 Claim, 6 Drawing Sheets



(56)

References Cited

U.S. PATENT DOCUMENTS

D992,837 S * 7/2023 Li D30/158

FOREIGN PATENT DOCUMENTS

GB	6203879	*	4/2022
NZ	417811-0001	*	7/2013
NZ	420069-0001	*	3/2015
WO	WO-D212651-001	*	2/2021

OTHER PUBLICATIONS

Supreme Trimmer Vader Clipper [online], [publication date is May 16, 2023]. [Retrieved from the internet on Mar. 13, 2024]. URL: <<https://www.amazon.com/Supreme-Trimmer-Clippers-Professional-Brushless/dp/B0CC3WYTQM?ref>>. (Year: 2023).*

Suprent® Pro Professional Hair Clippers [online], [publication date is Sep. 20, 2022]. [Retrieved from the internet on Mar. 13, 2024]. URL: <<https://www.amazon.com/SUPRENT%C2%AE-Professional-Clippers-Cutting-Cordless/dp/B0BFW2FSLY/ref>>. (Year: 2022).*

Wahl Professional Senior Clipper [online], [publication date is Apr. 26, 2016]. [Retrieved from the internet on Mar. 13, 2024]. URL: <<https://www.amazon.com/gp/product/B000HA8M4E/ref>>. (Year: 2016).*

Wahl USA Clipper Lithium-Ion Cordless Haircutting [online], [publication date is Jul. 4, 2018]. [Retrieved from the internet on Mar. 13, 2024]. URL: <<https://www.amazon.com/Wahl-Clipper-Lithium-Ion-Cordless-Haircutting/dp/B0799FGHCK/ref>>. (Year: 2018).*

Beard Trimmer [online], [publication date is Aug. 30, 2022]. [Retrieved from the internet on Mar. 13, 2024]. URL: <<https://www.amazon.com/Cordless-Clippers-Mustache-Waterproof-Rechargeable/dp/B0BCF3QV1X/ref>>. (Year: 2022).*

* cited by examiner

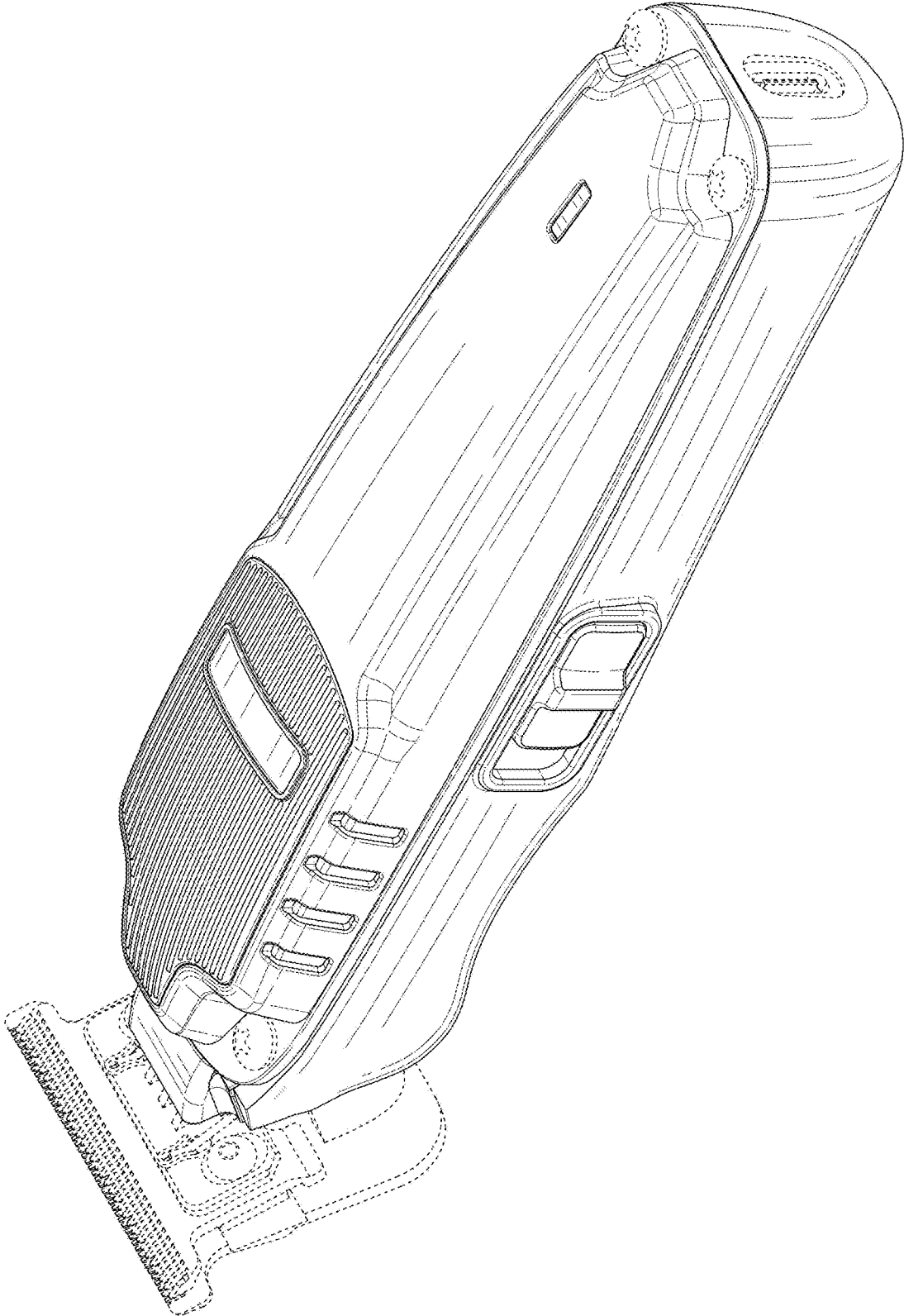


FIG. 1

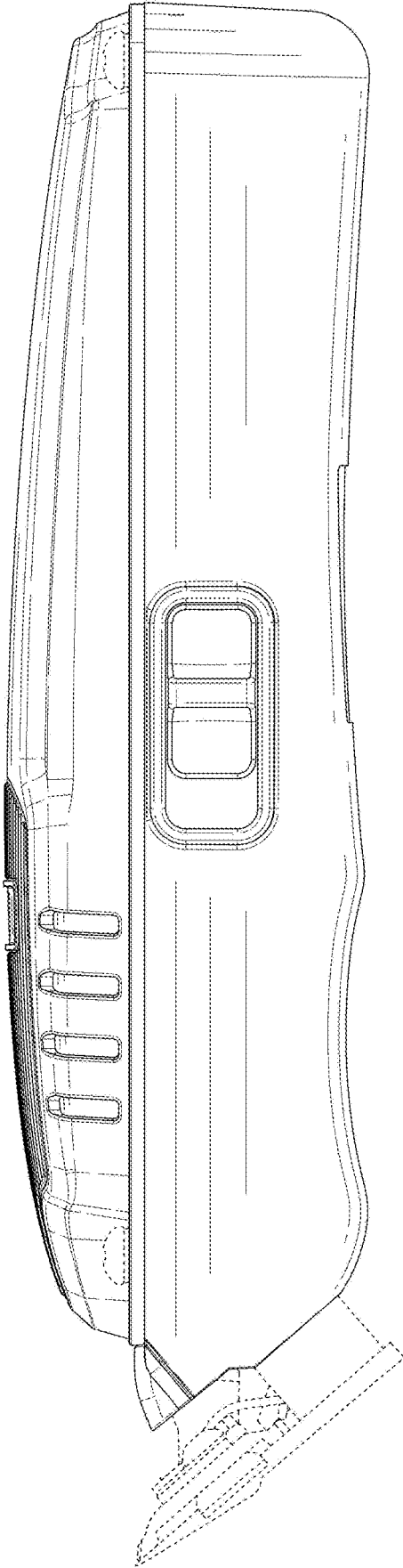


FIG. 2

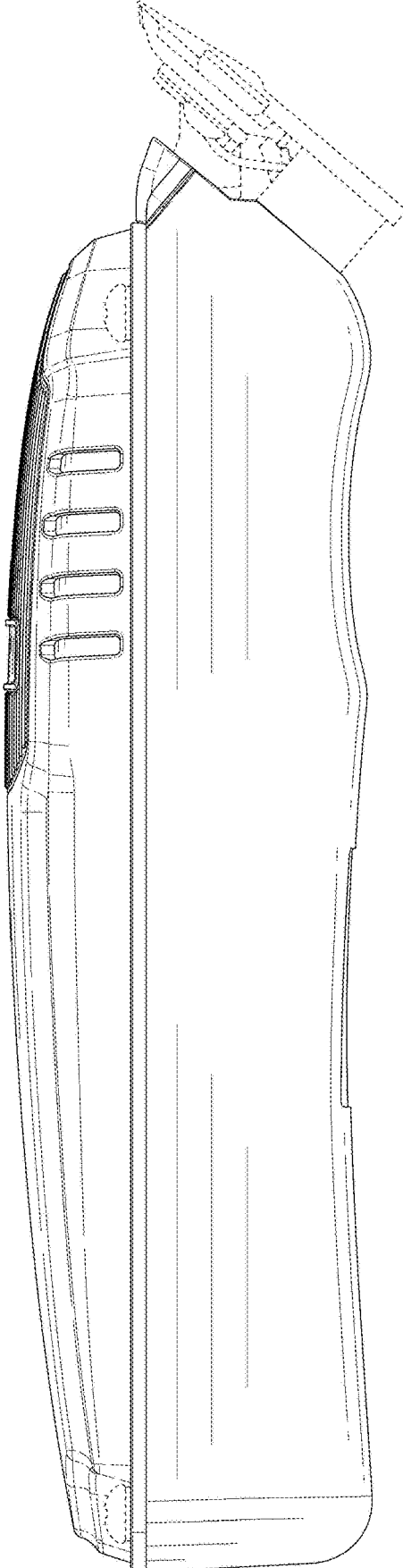


FIG. 3

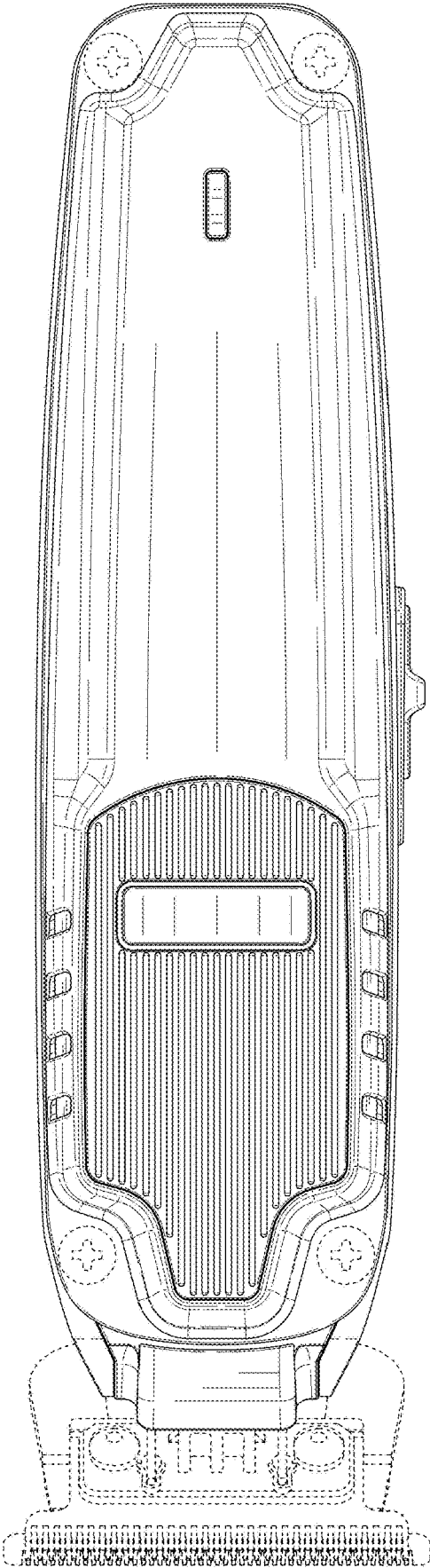


FIG. 4

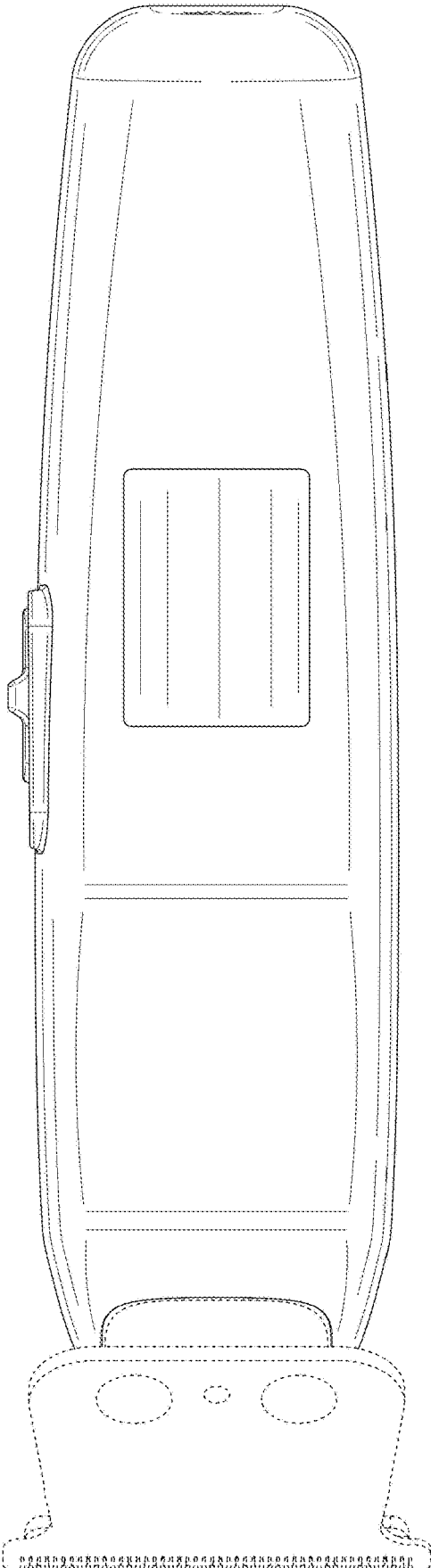


FIG. 5

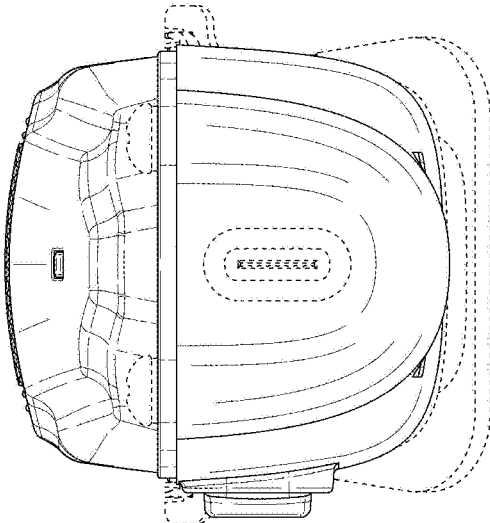


FIG. 7

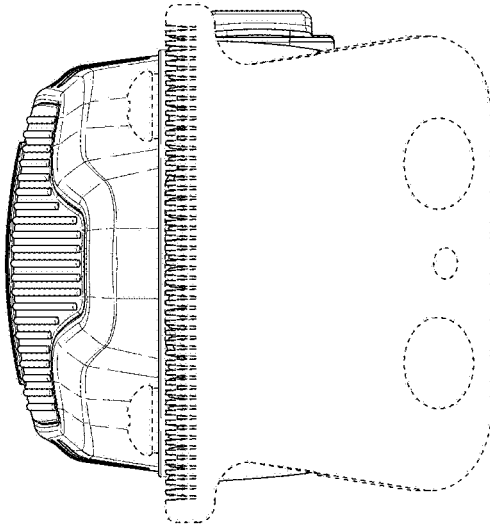


FIG. 6