



US0D1042094S

(12) **United States Design Patent**
Jiménez

(10) **Patent No.:** **US D1,042,094 S**

(45) **Date of Patent:** **** Sep. 17, 2024**

(54) **EXPANSION JOINT INSTALLATION TOOL**

(71) Applicant: **Jose Luis Jiménez**, Gustine, CA (US)

(72) Inventor: **Jose Luis Jiménez**, Gustine, CA (US)

(**) Term: **15 Years**

(21) Appl. No.: **29/833,933**

(22) Filed: **Apr. 8, 2022**

(51) **LOC (14) Cl.** **08-05**

(52) **U.S. Cl.**
USPC **D8/354; D8/16**

(58) **Field of Classification Search**
USPC D8/16, 32, 349, 354, 355, 356, 358, 359,
D8/366, 373, 376, 380, 381, 382;
D25/119, 120, 199
CPC E01C 11/04; E01C 11/06; E01C 11/08;
E01C 11/14; E01D 19/06
See application file for complete search history.

(56) **References Cited**

U.S. PATENT DOCUMENTS

D632,547 S *	2/2011	Thompson	D8/356
D710,038 S *	7/2014	Keen	D25/199
D790,127 S *	6/2017	Verleur	D6/552
D800,346 S *	10/2017	Apanovich	D25/119
D859,609 S *	9/2019	Gori	D25/119
D901,039 S *	11/2020	Helms	D25/119
D935,057 S *	11/2021	Bilge	D25/119
D940,353 S *	1/2022	Jung	D25/119
D941,407 S *	1/2022	Kuka	D8/381

D946,950 S *	3/2022	Siekmann	D6/702
D982,875 S *	4/2023	Deng	D8/373
D1,008,491 S *	12/2023	Mumford, Sr.	D25/119
D1,010,428 S *	1/2024	Clancy	E04G 21/243 D8/354

* cited by examiner

Primary Examiner — Richard Kearney

Assistant Examiner — Benjamin M Weeks

(74) *Attorney, Agent, or Firm* — Barry Choobin; Patent
360

(57) **CLAIM**

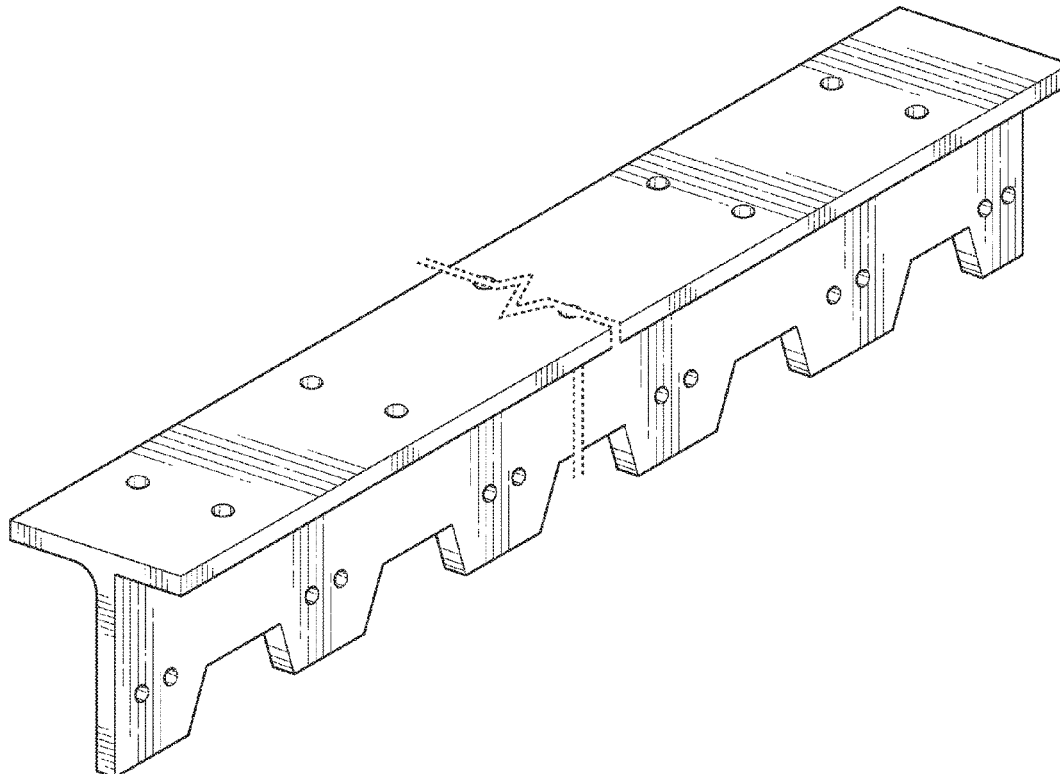
The ornamental design for an expansion joint installation tool, as shown and described.

DESCRIPTION

FIG. 1 is a perspective view of the expansion joint installation tool showing my new design; FIG. 2 is a front elevation view thereof; FIG. 3 is a rear elevation view thereof; FIG. 4 is a top plan view thereof; FIG. 5 is a bottom plan view thereof; FIG. 6 is a left side view thereof; and, FIG. 7 is a right-side view thereof.

The expansion joint installation tool is shown with a broken line symbolic break in its length. The appearance of any portion of the article between the break lines forms no part of the claimed design.

1 Claim, 3 Drawing Sheets



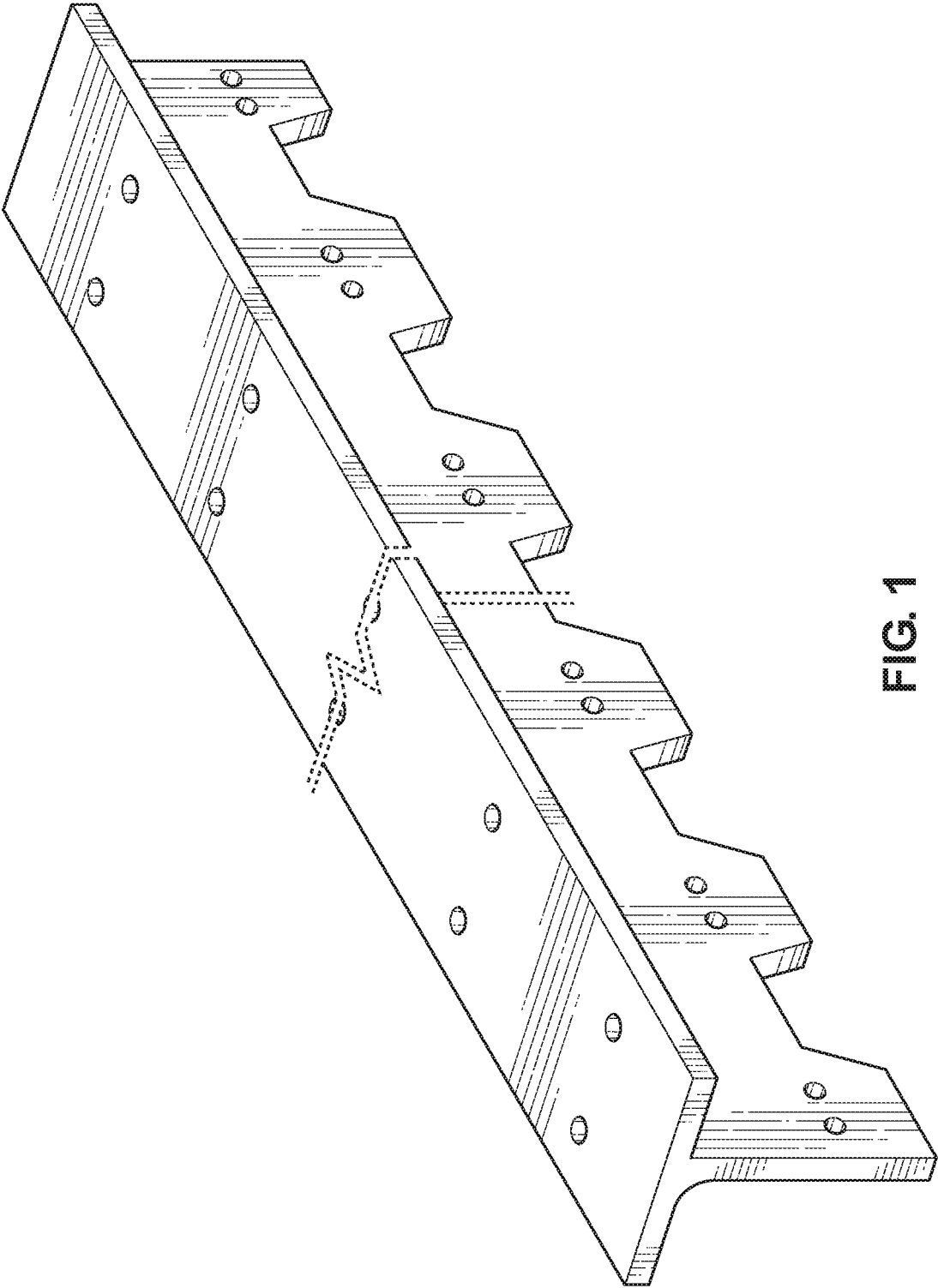


FIG. 1

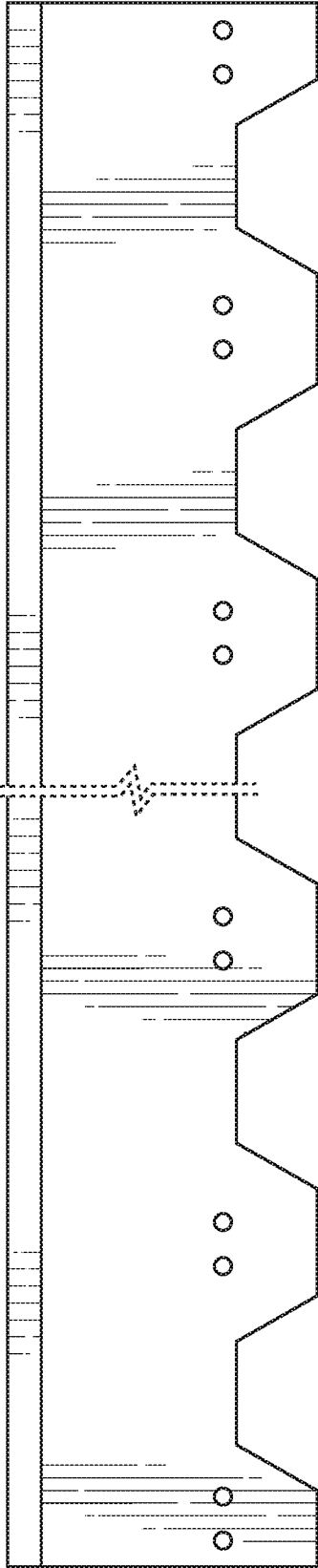


FIG. 2

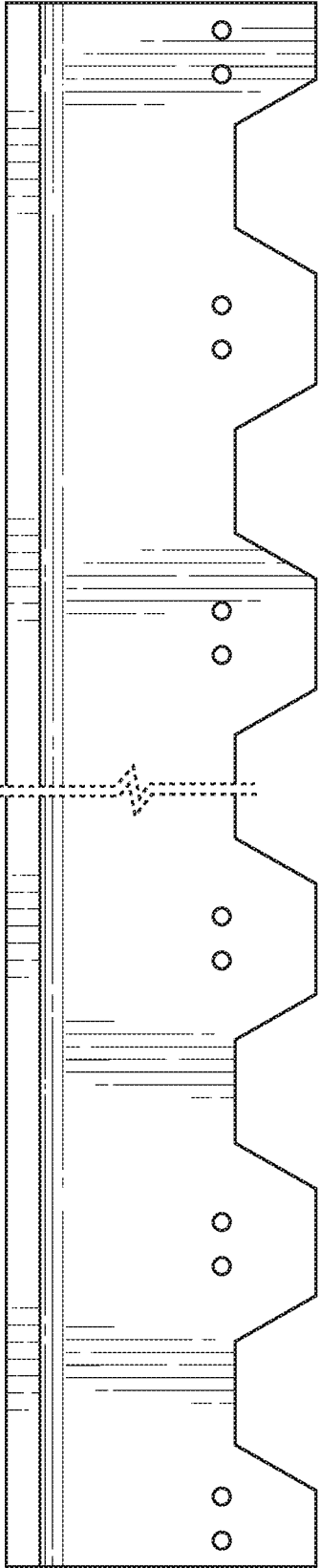


FIG. 3

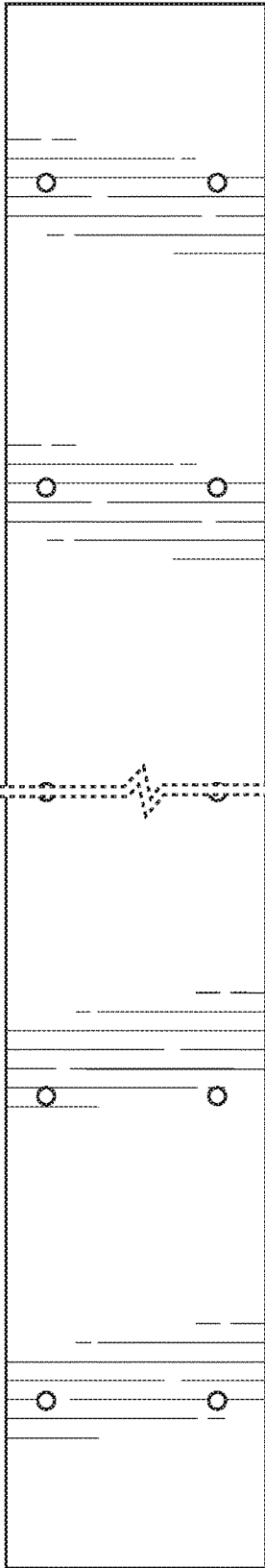


FIG. 4

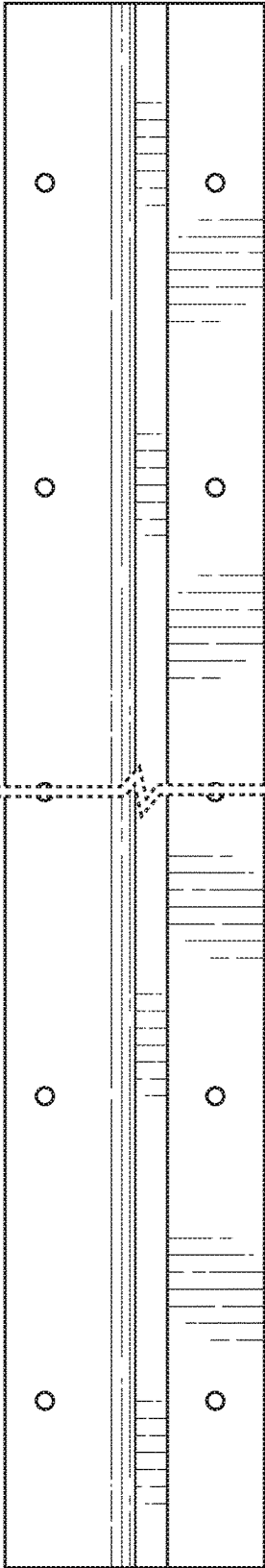


FIG. 5

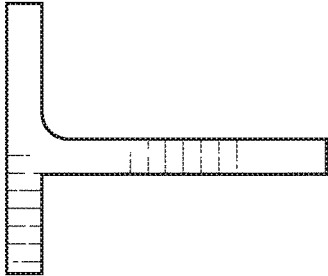


FIG. 6

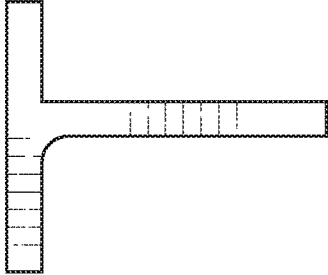


FIG. 7