



US0D1041904S

(12) **United States Design Patent**
Hogan

(10) **Patent No.:** **US D1,041,904 S**

(45) **Date of Patent:** **** Sep. 17, 2024**

(54) **TOOTHBRUSH**

(71) Applicant: **Teresa Brown Hogan**, Brownwood, TX (US)

(72) Inventor: **Teresa Brown Hogan**, Brownwood, TX (US)

(**) Term: **15 Years**

(21) Appl. No.: **29/830,387**

(22) Filed: **Mar. 11, 2022**

(51) **LOC (14) Cl.** **28-03**

(52) **U.S. Cl.**
USPC **D4/101**; D4/105

(58) **Field of Classification Search**
USPC D4/101, 104, 105, 106, 107, 108, 109, D4/110, 111, 112, 113, 114, 116, 119, D4/120, 121, 127, 128, 136, 138, 199; D30/158
CPC A46B 2200/1066; A46B 5/04; A46B 9/04
See application file for complete search history.

(56) **References Cited**

U.S. PATENT DOCUMENTS

2,091,511	A *	8/1937	London	A61H 13/00	606/234
D141,631	S *	6/1945	Chapman	D19/906	
D242,299	S *	11/1976	Kahn	D4/128	
D321,989	S *	12/1991	Wilson	D4/133	
D485,440	S *	1/2004	Snaith	D4/106	

D656,733	S *	4/2012	Barman	D4/101
D814,800	S *	4/2018	Cade, Jr.	D4/110
D961,270	S *	8/2022	Jimenez	D4/110
D968,098	S *	11/2022	Ponzini	D4/104

FOREIGN PATENT DOCUMENTS

JP	D1618850	*	11/2018
TW	185138-0001	*	8/2017

* cited by examiner

Primary Examiner — Karen E Eldridge Powers

(74) *Attorney, Agent, or Firm* — Barry Choobin; Patent 360

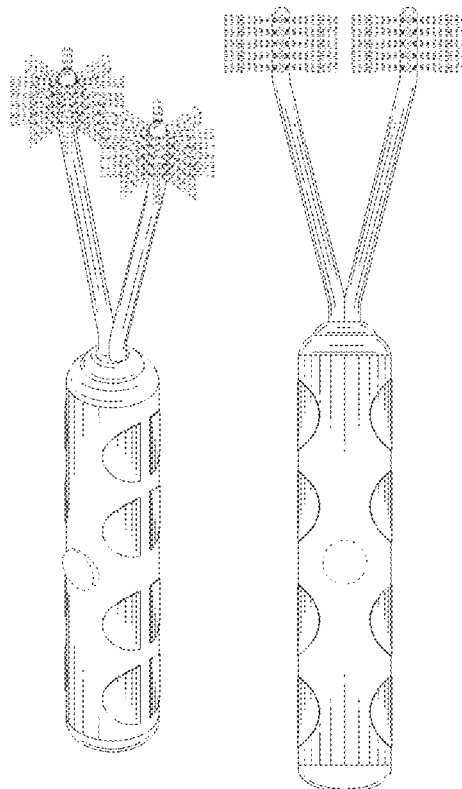
(57) **CLAIM**

The ornamental design for a toothbrush, as shown and described.

DESCRIPTION

FIG. 1 is a perspective view of a toothbrush, showing my new design;
 FIG. 2 is a front view thereof;
 FIG. 3 is a rear view thereof;
 FIG. 4 is a right side view thereof;
 FIG. 5 is a left side view thereof;
 FIG. 6 is a top view thereof; and,
 FIG. 7 is a bottom view thereof.
 The broken lines depict portions of the article that form no part of the claimed design.

1 Claim, 6 Drawing Sheets



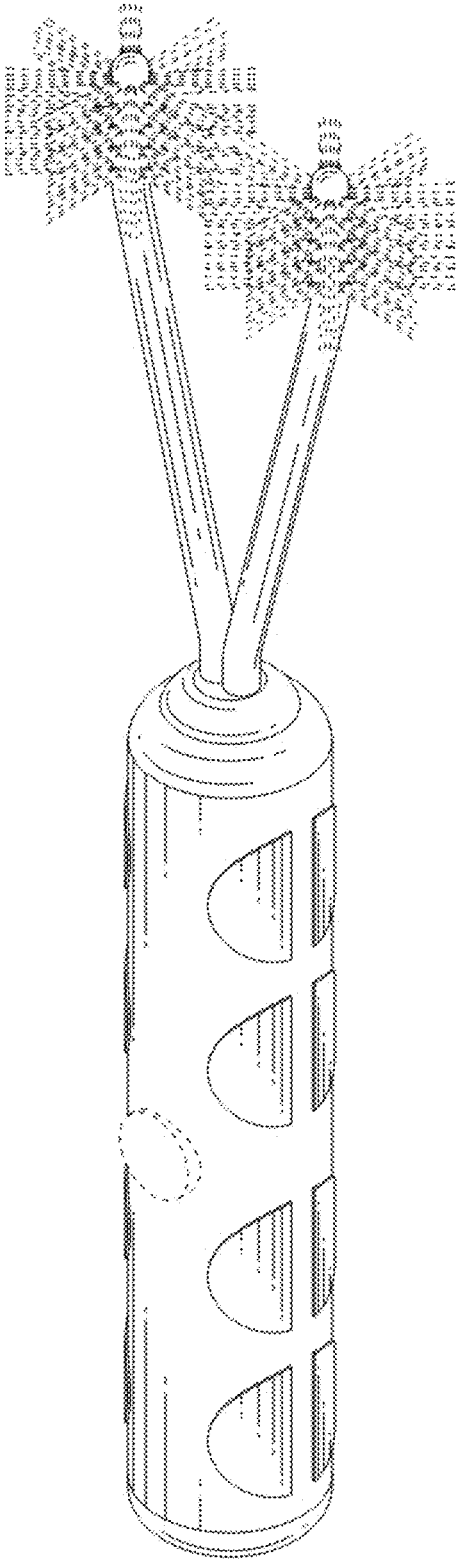


FIG. 1

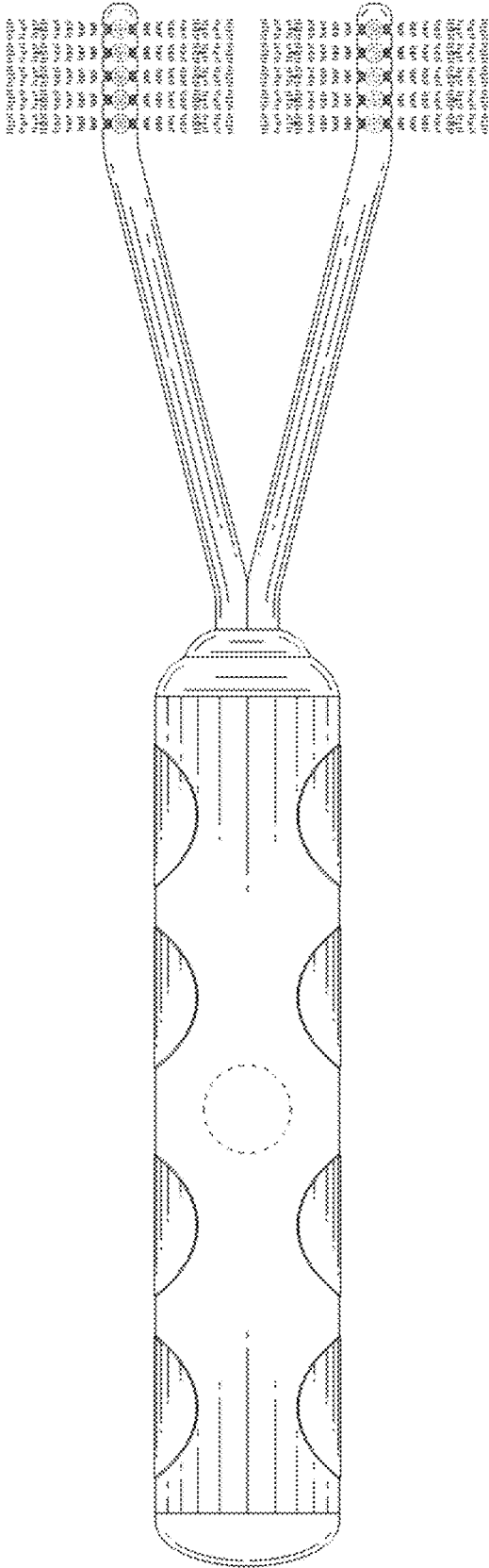


FIG. 2

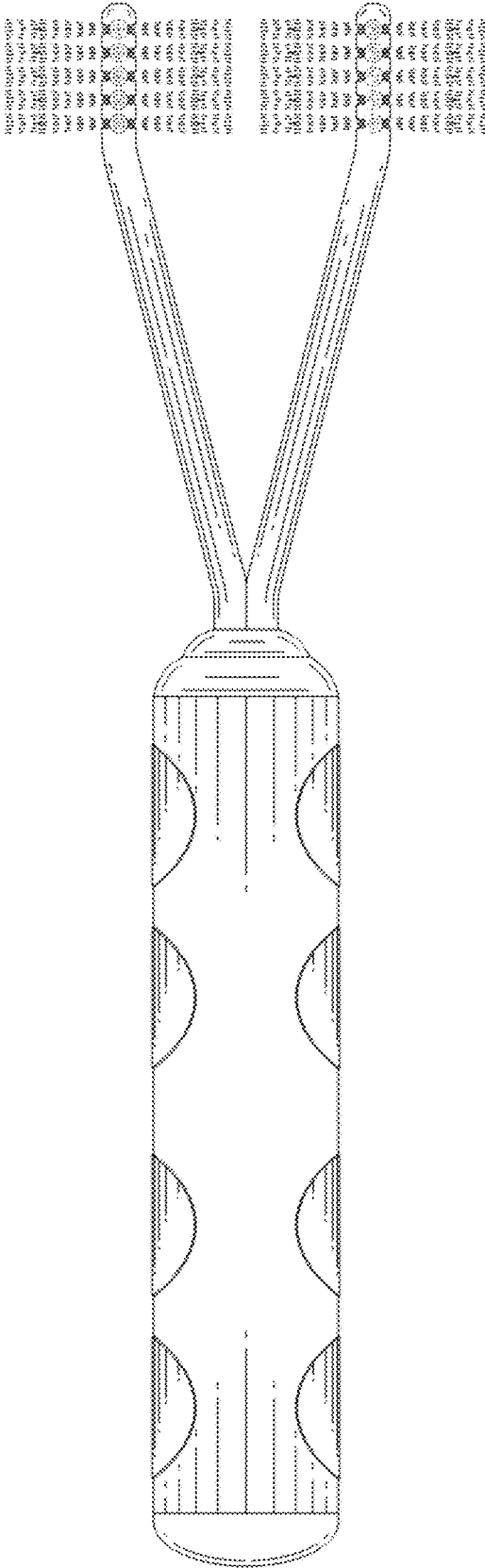


FIG. 3

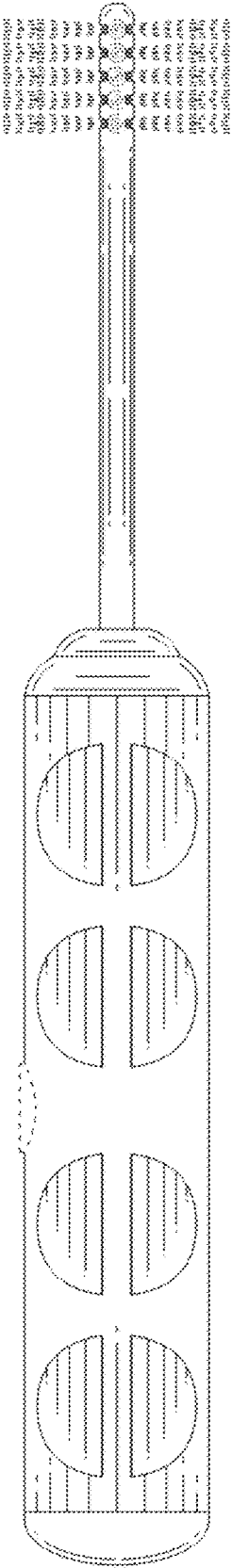


FIG. 4

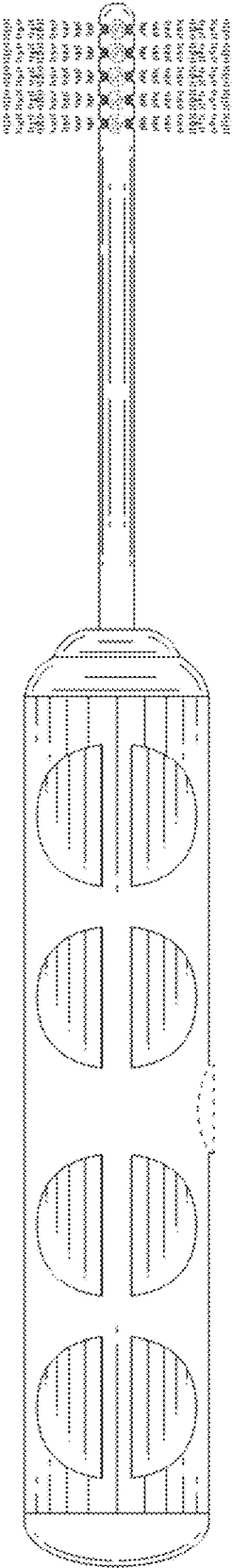


FIG. 5

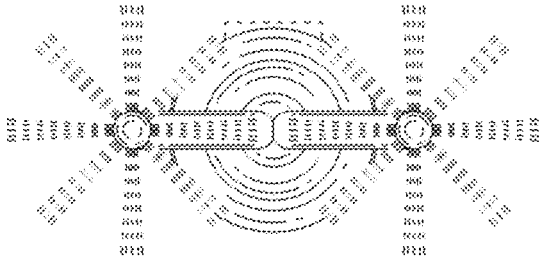


FIG. 6

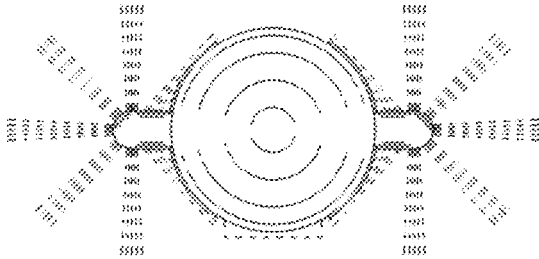


FIG. 7