



US0D1042930S

(12) **United States Design Patent**
Perets

(10) **Patent No.:** **US D1,042,930 S**

(45) **Date of Patent:** **** Sep. 17, 2024**

(54) **HARDSCAPE LIGHT WITH MOUNTING PLATE**

(71) Applicant: **Goshen Josh Perets**, Woodland Hills, CA (US)

(72) Inventor: **Goshen Josh Perets**, Woodland Hills, CA (US)

(**) Term: **15 Years**

(21) Appl. No.: **29/803,493**

(22) Filed: **Aug. 13, 2021**

(51) **LOC (14) Cl.** **26-05**

(52) **U.S. Cl.**
USPC **D26/72**

(58) **Field of Classification Search**
USPC D26/24, 60, 72, 85, 88, 89, 91, 93, 104, D26/106, 110
CPC : F21W 2131/10; F21W 2131/109; F21S 8/00; F21S 8/03; F21S 8/033
See application file for complete search history.

(56) **References Cited**

U.S. PATENT DOCUMENTS

D359,374 S *	6/1995	Weinstock	D26/80
D397,486 S *	8/1998	Engle	D26/85
D734,524 S *	7/2015	Boudewyns	D26/63
D800,934 S *	10/2017	Hoffmeister	D26/51
D819,247 S *	5/2018	Li	D26/72
D851,789 S *	6/2019	Johnson	D26/24
D895,881 S *	9/2020	Mai	D26/85
D1,012,343 S *	1/2024	Zhu	D26/72

FOREIGN PATENT DOCUMENTS

GB 6152150 * 8/2021

OTHER PUBLICATIONS

"7 Inch Slim" published on Amazon.com, date first available May 1, 2021 [online], site visited Feb. 26, 2024, available from internet

URL: <https://www.amazon.com/LUMENGY-Hardscape-Mounting-Visible-Installation/dp/B0BPXG3W56/> (Year: 2021).*
"7 Inch Replaceable" published on Amazon.com, date first available Dec. 13, 2022 [online], site visited Feb. 26, 2024, available from internet URL: <https://www.amazon.com/LUMENGY-Replaceable-Hardscape-Mounting-Retaining/dp/B0BPXDT9YL> (Year: 2022).*
"Fitop" published on Amazon.com, date first available Jun. 30, 2023 [online], site visited Feb. 26, 2024, available from internet URL: <https://www.amazon.com/Fitop-Hardscape-Lighting-Landscape-Waterproof/dp/B0C9T1KB7K?th=1> (Year: 2023).*
"Brass" published on Amazon.com, date first available Feb. 25, 2020 [online], site visited Feb. 26, 2024, available from internet URL: <https://www.amazon.com/Leelands-Replaceable-Hardscape-Integrated-Retaining/dp/B07XKR3W12> (Year: 2020).*

* cited by examiner

Primary Examiner — Angela J Lee

Assistant Examiner — Liv C Anderson

(74) *Attorney, Agent, or Firm* — Barry Choobin; Patent 360

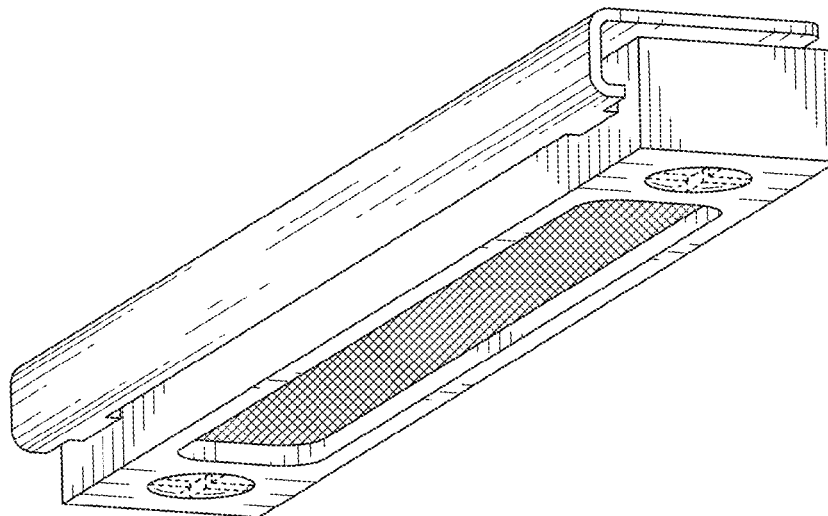
(57) **CLAIM**

The ornamental design for a hardscape light with mounting plate, as shown and described.

DESCRIPTION

FIG. 1 is a perspective view of a hardscape light with mounting plate, showing my new design;
FIG. 2 is a front view thereof;
FIG. 3 is a rear view thereof;
FIG. 4 is a right-side view thereof;
FIG. 5 is a left-side view thereof;
FIG. 6 is a top view thereof; and,
FIG. 7 is a bottom view thereof.
The broken lines in the drawings depict portions of the hardscape light with mounting plate and form no part of the claimed design.

1 Claim, 4 Drawing Sheets



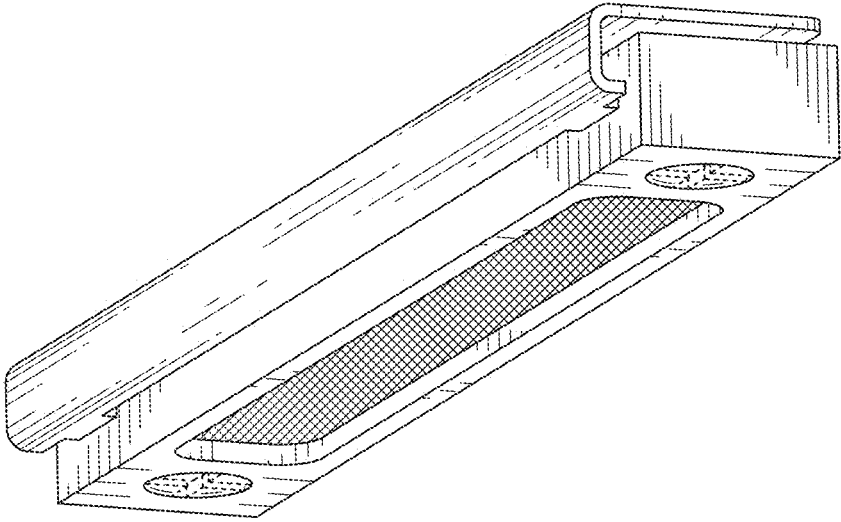


FIG. 1

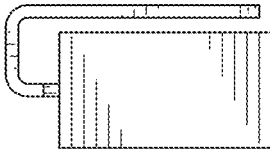


FIG. 2

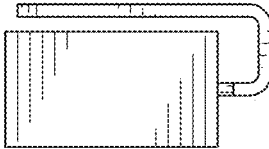


FIG. 3

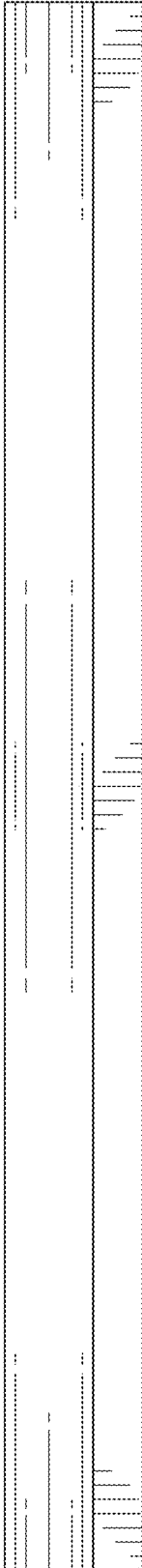


FIG. 4

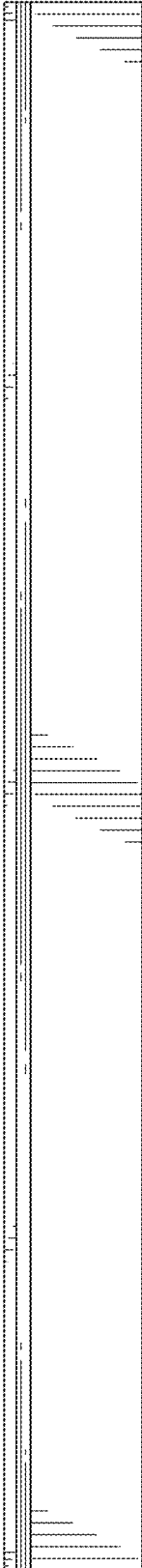


FIG. 5

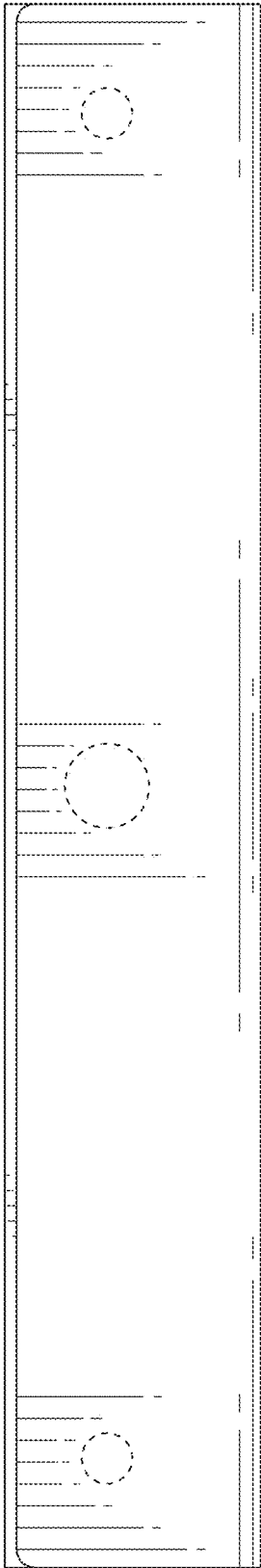


FIG. 6

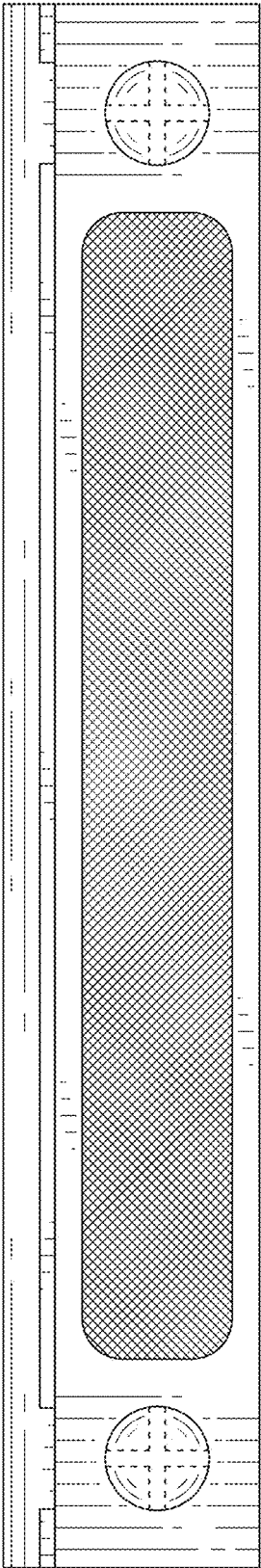


FIG. 7