



US0D1043667S

(12) **United States Design Patent**  
**Lekaj**

(10) **Patent No.:** **US D1,043,667 S**

(45) **Date of Patent:** **\*\* Sep. 24, 2024**

(54) **SMART RING**

(71) Applicant: **Haris Lekaj**, Whitestone, NY (US)

(72) Inventor: **Haris Lekaj**, Whitestone, NY (US)

(\*\*) Term: **15 Years**

(21) Appl. No.: **29/887,048**

(22) Filed: **Mar. 16, 2023**

(51) **LOC (14) Cl.** ..... **14-02**

(52) **U.S. Cl.**  
USPC ..... **D14/344**

(58) **Field of Classification Search**  
USPC ..... D10/30, 31, 32, 38, 70; D11/1, 2, 3, 4,  
D11/5, 6, 26; D14/138 R, 344, 358;  
D24/167

CPC ..... G04G 17/00; G04G 17/08; G04G 17/083;  
G04G 17/045; G04G 21/00; G04G 21/02;  
G04G 21/025; G04G 21/06; G04G 21/08;  
G04G 99/006; G06F 1/163; A44C 5/00;  
A44C 5/02; A44C 5/022; A44C 5/025;  
A44C 5/0007; A44C 5/0015; A44C  
5/0046; A44C 5/0053; A44C 5/2052;  
A44C 5/2071; A44C 9/00; A44C 9/0053

See application file for complete search history.

(56) **References Cited**

**U.S. PATENT DOCUMENTS**

D756,999 S *	5/2016	von Badinski	.....	D14/344
D772,867 S *	11/2016	Park	.....	D10/70
D791,764 S *	7/2017	von Badinski	.....	D14/344
D804,471 S *	12/2017	von Badinski	.....	D14/344
D808,847 S *	1/2018	Warren	.....	D11/26
D832,734 S *	11/2018	Warren	.....	D11/35
D884,502 S *	5/2020	Kivelä	.....	D10/70
D951,786 S *	5/2022	Kivelä	.....	D10/70
D992,432 S *	7/2023	Lee	.....	D24/186
D1,008,058 S *	12/2023	Kivelä	.....	D10/70

D1,016,650 S *	3/2024	Friedman	.....	D11/26
D1,021,234 S *	4/2024	Baldwin	.....	D28/8.1
D1,023,819 S *	4/2024	Latomaki et al.	.....	D11/26
D1,023,820 S *	4/2024	Latomaki et al.	.....	D11/26
D1,023,925 S *	4/2024	Song	.....	D13/108
D1,025,815 S *	5/2024	Latomaki et al.	.....	D11/26

**FOREIGN PATENT DOCUMENTS**

CN	308347863	*	11/2023
CN	308424685	*	1/2024

**OTHER PUBLICATIONS**

Review: Ultrahuman Ring Air, www.wired.com, Oct. 22, 2023.  
<https://www.wired.com/review/ultrahuman-ring-air/> (Year: 2023).\*

(Continued)

*Primary Examiner* — Messina L Smith

*Assistant Examiner* — Kwabena A. Ankobiah

(74) *Attorney, Agent, or Firm* — Barry Choobin; Patent  
360

(57) **CLAIM**

The ornamental design for a smart ring, as shown and  
described.

**DESCRIPTION**

FIG. 1 is a perspective view of a smart ring, showing my  
new design;

FIG. 2 is a front view thereof;

FIG. 3 is a rear view thereof;

FIG. 4 is a right side view thereof;

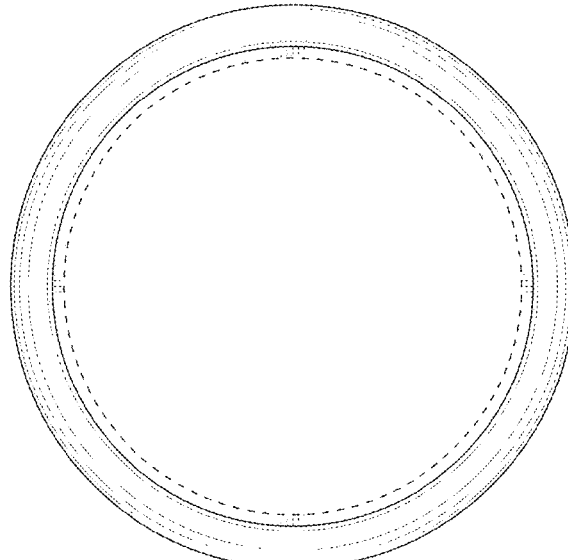
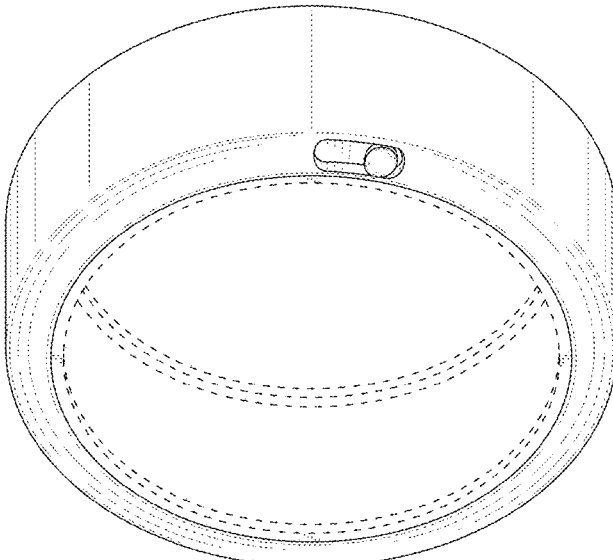
FIG. 5 is a left side view thereof;

FIG. 6 is a top view thereof; and,

FIG. 7 is a bottom view thereof.

The broken lines depict portions of the smart ring that form  
no part of the claimed design.

**1 Claim, 6 Drawing Sheets**



(56)

**References Cited**

OTHER PUBLICATIONS

Entering the ring: how this tiny device may soon replace smart watches, [www.dohaneews.co](https://dohaneews.co), Aug. 19, 2023. <https://dohaneews.co/entering-the-ring-how-this-tiny-device-may-soon-replace-smart-watches/> (Year: 2023).\*

Oura Ring Can Now Tell if You're a Morning Person, [www.cnet.com](https://www.cnet.com), Mar. 15, 2023. <https://www.cnet.com/tech/mobile/oura-ring-can-now-tell-if-youre-a-morning-person/> (Year: 2023).\*

\* cited by examiner

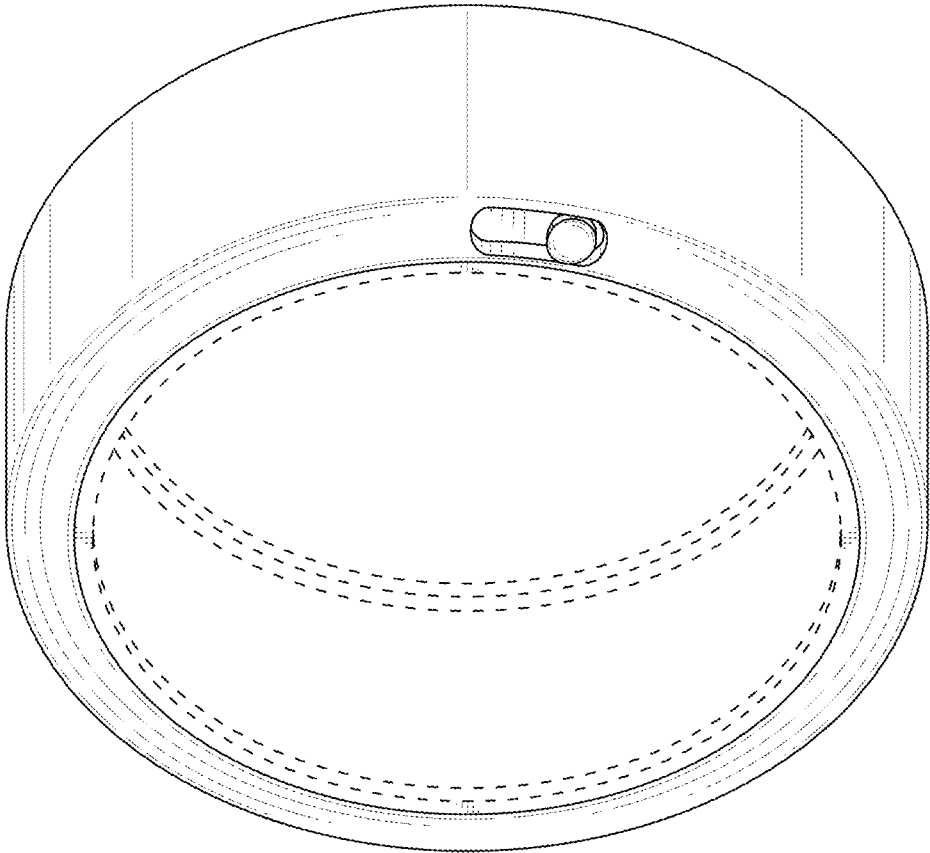


FIG. 1

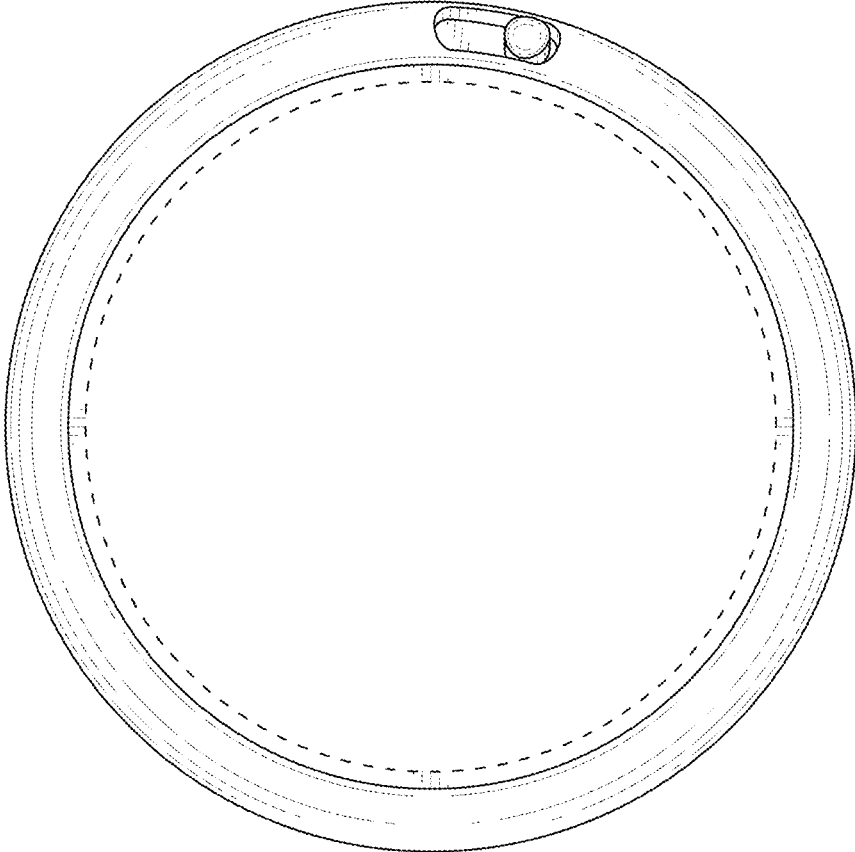


FIG. 2

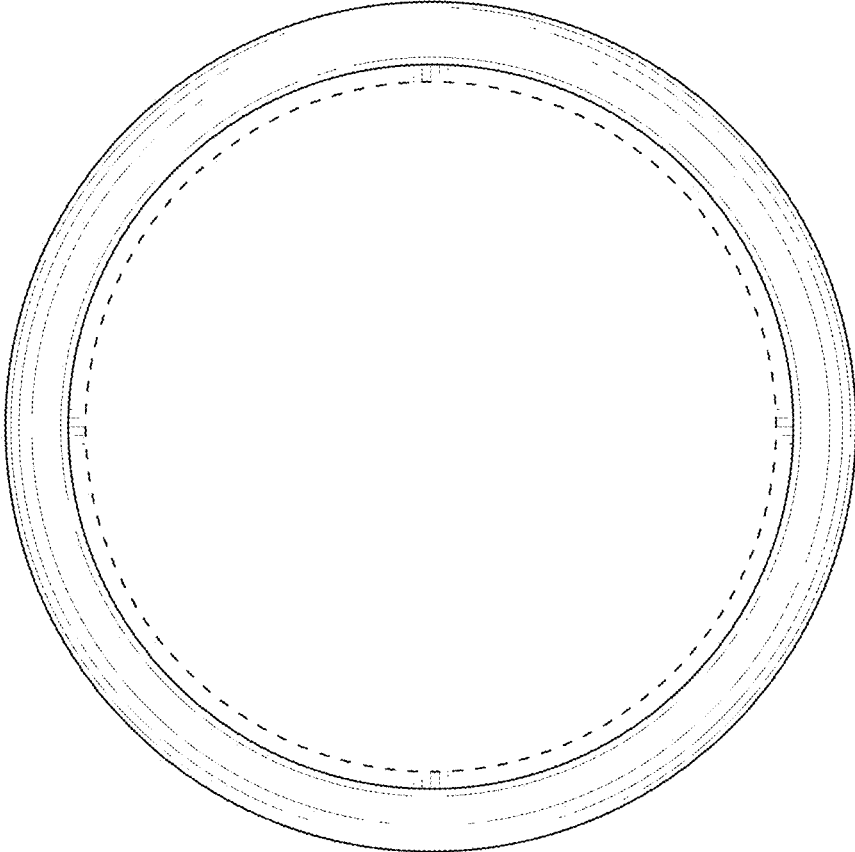


FIG. 3

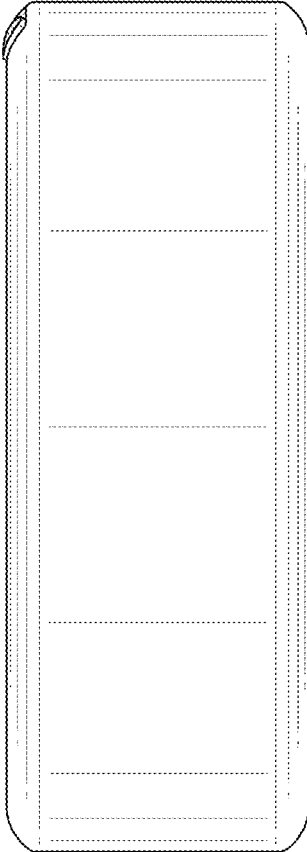


FIG. 4

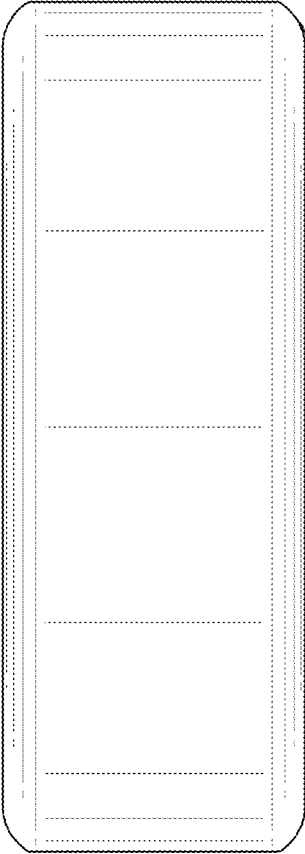


FIG. 5

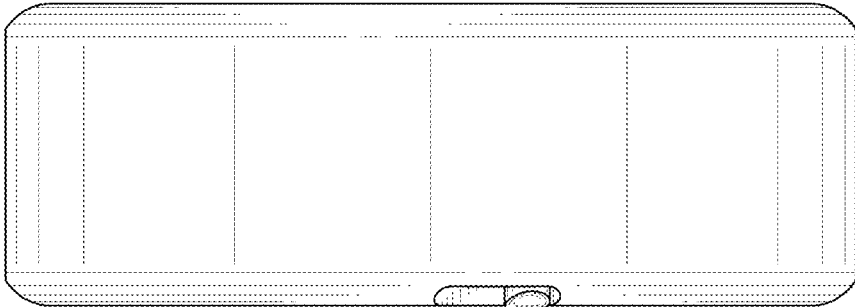


FIG. 6

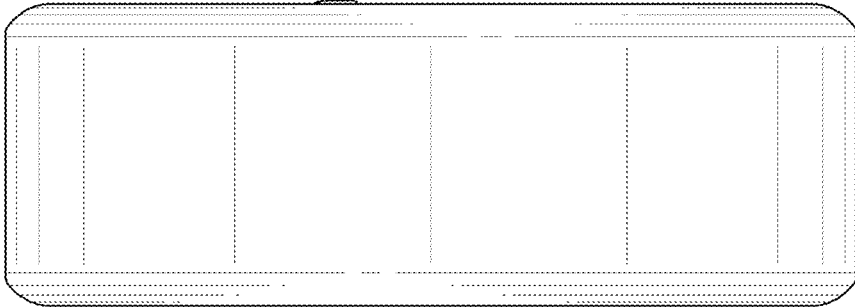


FIG. 7