



(12) **United States Design Patent**  
**Nielsen et al.**

(10) **Patent No.:** **US D1,044,678 S**  
(45) **Date of Patent:** **\*\* Oct. 1, 2024**

- (54) **ANTICOLLISION LIGHT FOR AIRCRAFT**
- (71) Applicants: **Christian R Nielsen**, Palm Coast, FL (US); **Daniel Stenko**, Fabryho (SK)
- (72) Inventors: **Christian R Nielsen**, Palm Coast, FL (US); **Daniel Stenko**, Fabryho (SK)
- (73) Assignee: **AVEO DESIGN GROUP LLC**, Palm Coast, FL (US)

2011/0019430	A1*	1/2011	Wilkinson	.....	B64D 47/06 362/470
2018/0016032	A1*	1/2018	Jha	.....	B64D 47/02
2021/0293395	A1*	9/2021	Calvin	.....	F21V 5/045
2022/0258881	A1*	8/2022	Jha	.....	B64D 47/06
2024/0059427	A1*	2/2024	Hessling-Von Heimendahl	.....	B64D 47/06
2024/0060626	A1*	2/2024	Jha	.....	F21V 15/01
2024/0228059	A1*	7/2024	Jha	.....	B64D 47/06

(\*\*) Term: **15 Years**  
(21) Appl. No.: **29/930,085**

- (22) Filed: **Feb. 27, 2024**
- (51) **LOC (14) Cl.** ..... **12-07**
- (52) **U.S. Cl.**  
USPC ..... **D12/345**
- (58) **Field of Classification Search**  
USPC ..... D12/345, 1-4, 16.1, 174, 319-344;  
D21/301, 436, 441, 442, 443, 444, 446,  
D21/447, 448, 449, 450, 451, 452, 453;  
D26/1-4, 24, 28-36  
CPC ..... B64D 47/06; F21S 43/10  
See application file for complete search history.

OTHER PUBLICATIONS  
“Whelen Blaze™ LED Wingtip Position / Anti-Collision Light For Experimental / Lsa” aircraftspruce.com, post Published: Unavailable. Retrieved Jul. 12, 2024. Available online at URL:https://www.aircraftspruce.com/catalog/elpages/whelen\_blaze.php (Year: 2024).\*

(Continued)

Primary Examiner — Christian P. McLean  
Assistant Examiner — Jessica Lynn Devilbliss  
(74) Attorney, Agent, or Firm — Barry Choobin; Patent 360

(57) **CLAIM**  
The ornamental design for an anticollision light for aircraft, as shown and described.

(56) **References Cited**

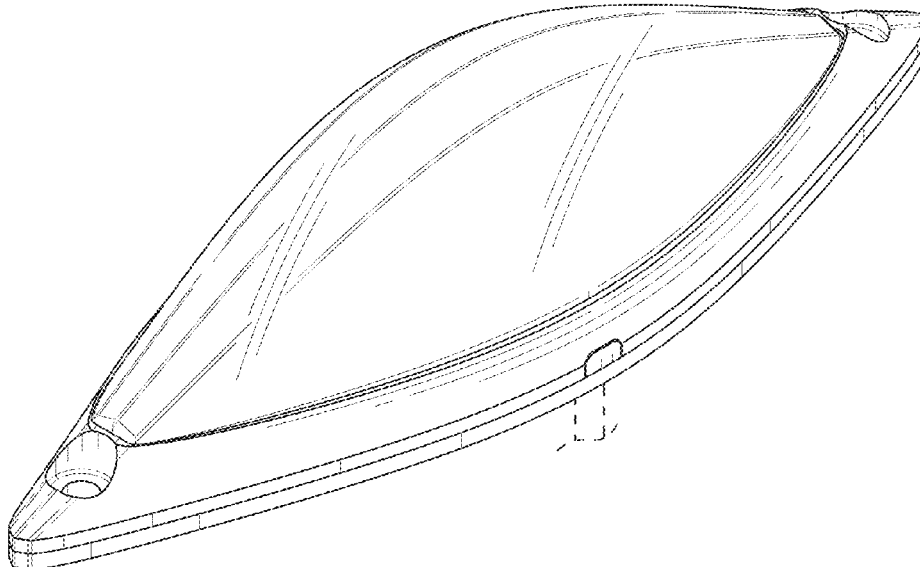
**DESCRIPTION**

**U.S. PATENT DOCUMENTS**

1,828,805	A *	10/1931	Hudson	.....	B63B 7/06 114/354
D592,780	S *	5/2009	Calvin	.....	D26/28
D640,181	S *	6/2011	Calvin	.....	D12/345
8,192,060	B2 *	6/2012	Wilkinson	.....	H05B 45/24 340/815.45
D805,503	S *	12/2017	Corp	.....	D14/230
D929,304	S *	8/2021	Stemme	.....	D12/345
D975,569	S *	1/2023	Calvin	.....	F21V 5/04 D10/114.1
2008/0310176	A1*	12/2008	Hirni	.....	B64D 47/06 362/470

FIG. 1 is a perspective view of an anticollision light for aircraft, showing our new design;  
FIG. 2 is a front view thereof;  
FIG. 3 is a rear view thereof;  
FIG. 4 is a right side view thereof;  
FIG. 5 is a left side view thereof;  
FIG. 6 is a top view thereof; and,  
FIG. 7 is a bottom view thereof.  
The broken lines depict portions of the anticollision light for aircraft that form no part of the claimed design.

**1 Claim, 6 Drawing Sheets**



(56)

**References Cited**

OTHER PUBLICATIONS

“Aveo Engineering Andromeda™ DayLite 3-in-1 LED Wing Lights”  
kestrel-air.com, post Published: Unavaialble. Retrieved Jul. 12,  
2024. Available online at URL:, [https://kestrel-air.com/products/  
andromeda-daylite-3-in-1-led-nav-pos-strobe](https://kestrel-air.com/products/andromeda-daylite-3-in-1-led-nav-pos-strobe)(Year: 2024).\*

\* cited by examiner

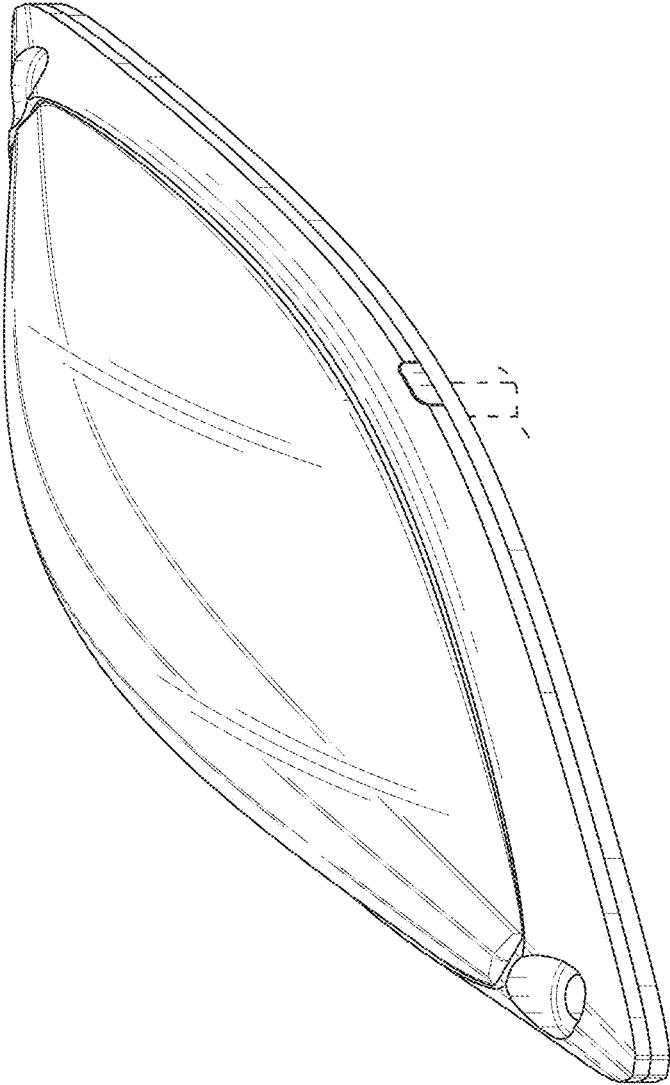


FIG. 1

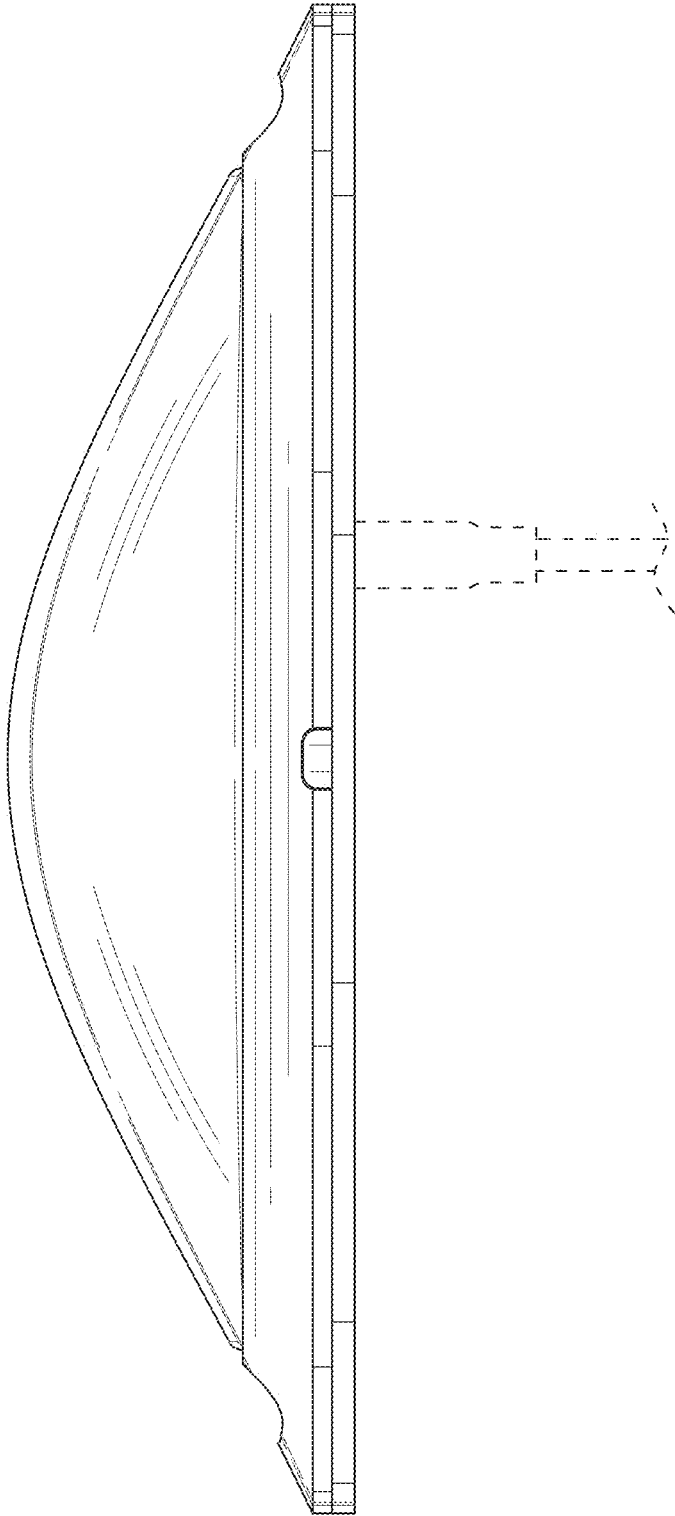


FIG. 2

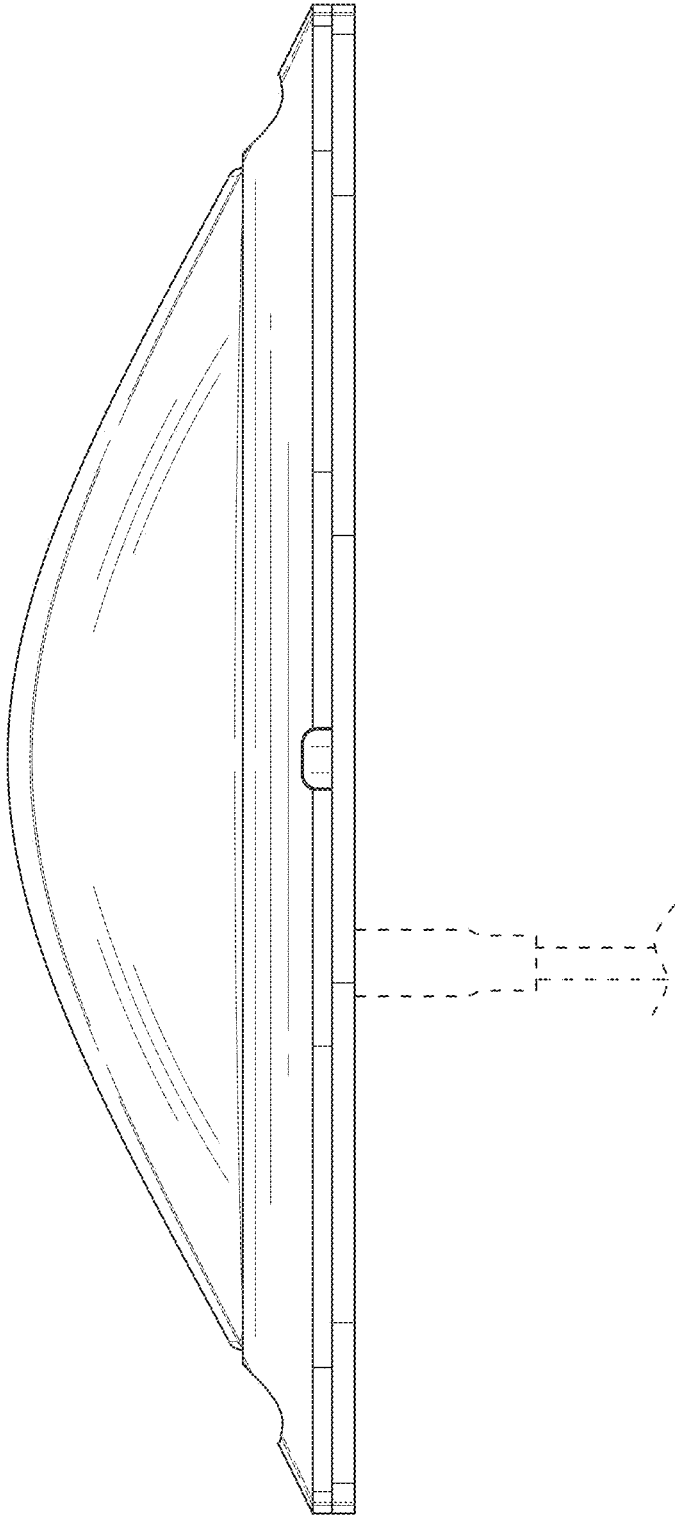


FIG. 3

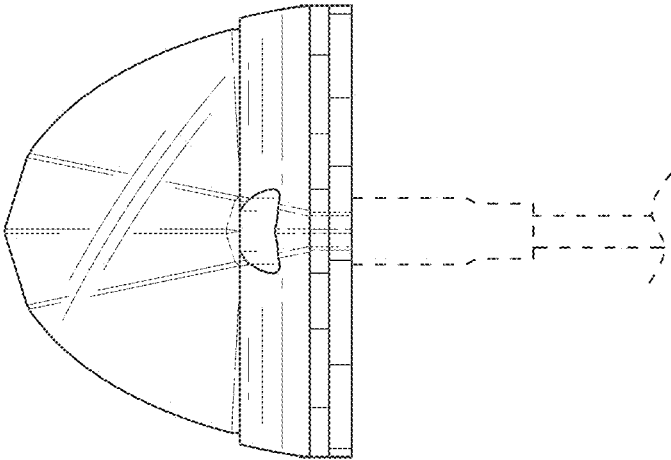


FIG. 5

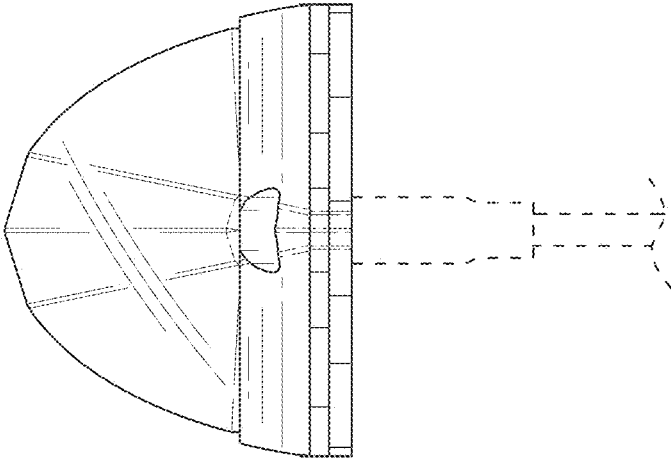


FIG. 4

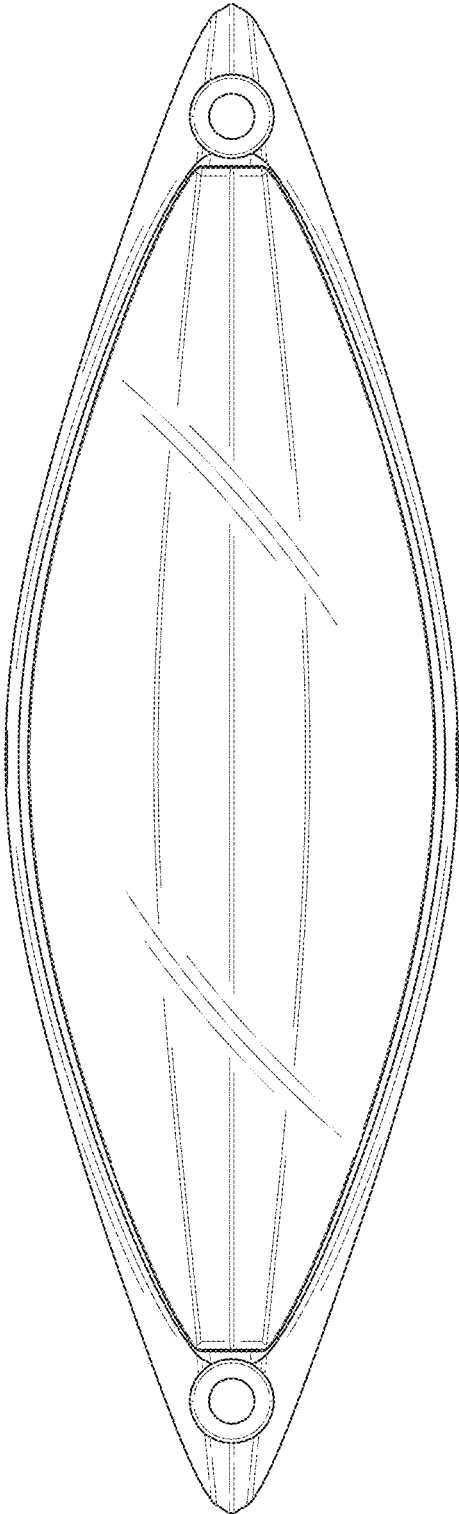


FIG. 6

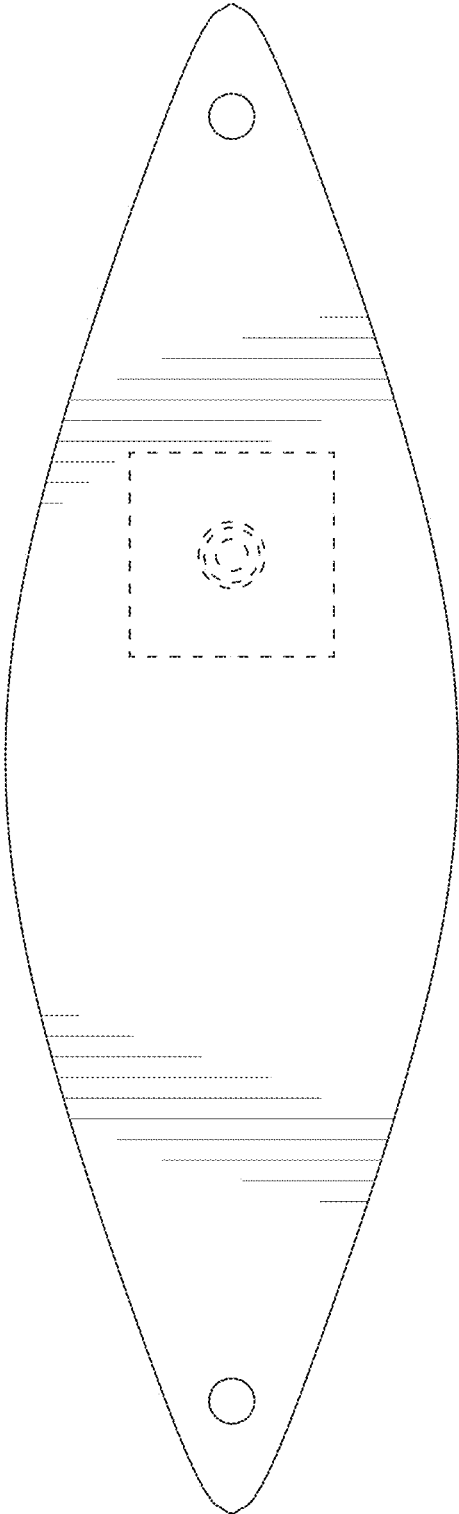


FIG. 7