



US0D1038661S

(12) **United States Design Patent**
Santoro

(10) **Patent No.:** **US D1,038,661 S**

(45) **Date of Patent:** **** Aug. 13, 2024**

(54) **COAT STAND**

(71) Applicant: **Francesco Santoro**, Los Angeles, CA
(US)

(72) Inventor: **Francesco Santoro**, Los Angeles, CA
(US)

(**) Term: **15 Years**

(21) Appl. No.: **29/883,736**

(22) Filed: **Feb. 2, 2023**

(51) **LOC (14) Cl.** **06-04**

(52) **U.S. Cl.**
USPC **D6/681.3**

(58) **Field of Classification Search**
USPC D6/315, 672, 677, 677.2, 677.5, 680,
D6/681, 681.1, 681.2, 681.3, 682.5, 682.6
CPC A47F 5/04; A47F 5/02; A47F 5/06; A47F
5/13; A47F 7/02; A47F 7/06; A47F 7/24;
A47G 25/0664
See application file for complete search history.

(56) **References Cited**

U.S. PATENT DOCUMENTS

- 2,447,924 A * 8/1948 Vitale A47G 25/0664
211/205
- D160,047 S * 9/1950 Witz et al. 211/205
- 3,204,333 A * 9/1965 Wise A47G 25/0664
211/1
- D270,789 S * 10/1983 Blanco D6/682.6
- D271,913 S * 12/1983 Nanfita D32/58
- D282,793 S * 3/1986 Zombeck D6/681.3
- D306,533 S * 3/1990 Fritsch D6/674
- D311,288 S * 10/1990 Lee D6/680.2
- D326,964 S * 6/1992 Kakuk D6/674
- D332,311 S * 1/1993 Redding D24/128
- D339,009 S * 9/1993 Evenson D6/681.3
- 5,318,189 A * 6/1994 Lee A47G 25/0664
211/205
- D369,032 S * 4/1996 Huang D6/680

- D369,496 S * 5/1996 Bartle D6/681.3
- D379,878 S * 6/1997 Vassallo D6/681.1
- D407,918 S * 4/1999 Hansen D6/674
- D428,278 S * 7/2000 Yang D6/674
- D444,958 S * 7/2001 Lindberg D6/682.6
- D465,946 S * 11/2002 Boyd, Jr. D6/681.3
- D476,531 S * 7/2003 Rangel D7/603
- D536,902 S * 2/2007 Wu D6/680.2
- D539,104 S * 3/2007 Goodman D7/704
- D545,080 S * 6/2007 Massaud D6/681.3

(Continued)

OTHER PUBLICATIONS

Aibiju Wood Coat Rack Freestanding, Coat Stand with 8 Hooks, Kids Coat Tree with 3 height options and Sturdy Base, Rustic Coat Rack Small Hall Tree Brown YD-1008, amazon.com, <https://www.amazon.com/Aibiju-Freestanding-Entryway-Jackets-YD-1008/dp/B09XTFVF34/> (Year: 2022).*

(Continued)

Primary Examiner — Steven J Czysz
(74) *Attorney, Agent, or Firm* — Barry Choobin; Patent
360

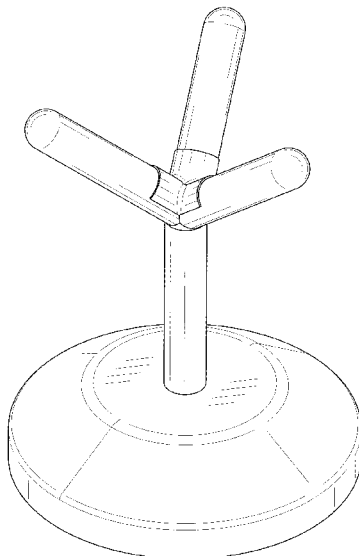
(57) **CLAIM**

The ornamental design for a coat stand, as shown and described.

DESCRIPTION

FIG. 1 is a perspective view of a coat stand, showing my new design;
FIG. 2 is a front view thereof;
FIG. 3 is a rear view thereof;
FIG. 4 is a right side view thereof;
FIG. 5 is a left side view thereof;
FIG. 6 is a top view thereof; and,
FIG. 7 is a bottom view thereof.
The broken lines depict portions of the article that form no part of the claimed design.

1 Claim, 6 Drawing Sheets



(56)

References Cited

U.S. PATENT DOCUMENTS

D560,089	S *	1/2008	DeMeyer	D6/552
D566,990	S *	4/2008	Cook	D6/681.3
D595,518	S *	7/2009	Zapanta	A47G 29/08 D6/681.1
D601,817	S *	10/2009	Barbieri	D6/327
D610,370	S *	2/2010	Quan	D6/681.3
D624,689	S *	9/2010	Kao	D26/69
D625,120	S *	10/2010	Wisniewski	D6/681.3
D639,087	S *	6/2011	Wisniewski	D6/681.3
D653,724	S *	2/2012	Li	D21/839
D664,788	S *	8/2012	Baylon	D6/681.1
D699,486	S *	2/2014	Huang	D6/681.3
D722,461	S *	2/2015	Braun	D3/234
D722,796	S *	2/2015	Lievore	D6/681.3
D779,241	S *	2/2017	Terada	D6/315
D793,131	S *	8/2017	Gazit	D6/681.3
D812,398	S *	3/2018	Mendini	D6/681.1
D822,413	S *	7/2018	Tinetti	D6/681.3
D833,185	S *	11/2018	Zhou	D6/681.3
D833,783	S *	11/2018	Tinetti	D6/681.3
D840,980	S *	2/2019	Bangalore	D14/225
D854,863	S *	7/2019	Majer	D6/681.1
10,575,635	B1 *	3/2020	Ward	A47G 25/0685
D885,809	S *	6/2020	Song	D6/681.3
D885,810	S *	6/2020	Song	D6/681.3
D906,756	S *	1/2021	Day-Swallow	D7/637
D914,414	S *	3/2021	Fleming	D6/681.3
D920,685	S *	6/2021	Lee	D6/315
D923,374	S *	6/2021	Bongiorno	D6/681.3
D960,621	S *	8/2022	Kang	D6/674
D961,290	S *	8/2022	Mai	D6/549
D968,859	S *	11/2022	Mao	D6/681.3
D992,317	S *	7/2023	Zhao	D6/681.3
D1,003,090	S *	10/2023	Mao	D6/680.2
D1,008,705	S *	12/2023	Xie	D6/681
D1,008,706	S *	12/2023	Xie	D6/681
D1,014,157	S *	2/2024	Lin	D6/681.2
D1,018,162	S *	3/2024	Henriksen	D6/681
2006/0284032	A1 *	12/2006	Gliatis	A47G 25/0664 248/127
2010/0300900	A1 *	12/2010	Quan	A45C 11/16 206/6.1
2012/0055893	A1 *	3/2012	Wisniewski	A47G 25/0664 211/85.3
2012/0300451	A1 *	11/2012	Jin	F21V 21/06 362/231
2019/0070472	A1 *	3/2019	Duran	A47F 5/04

OTHER PUBLICATIONS

Cari Coat Rack, lumens.com, <https://www.lumens.com/cari-coat-rack-by-innit-designs-INNP202516.html> (Year: 2019).*

Glasgow Metal Coat Stand With 3 Hooks In Black, furnitureinfashion.net, <https://www.furnitureinfashion.net/glasgow-metal-coat-stand-with-3-hooks-in-black-p-103484.html> (Year: 2024).*

Danese Milano Coat Rack, perigold.com, <https://www.perigold.com/furniture/pdp/danese-milano-binca-coat-rack-amo1096.html> (Year: 2019).*

* cited by examiner

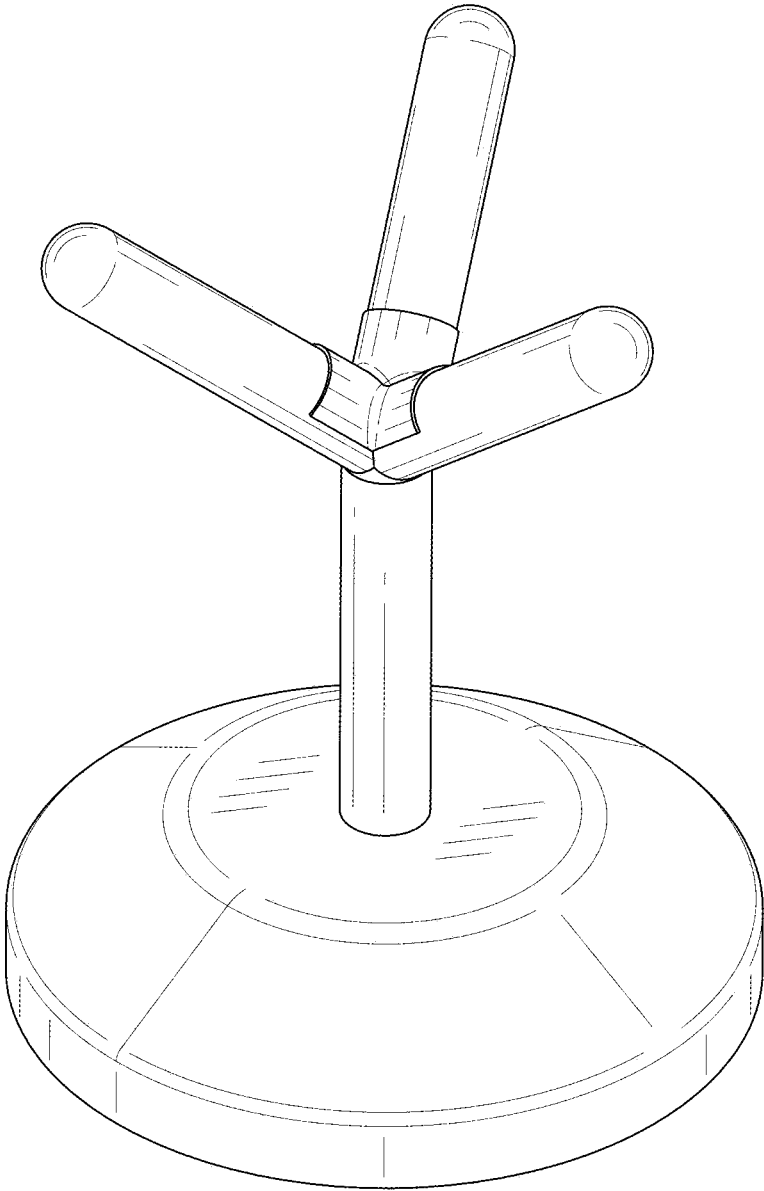


FIG. 1

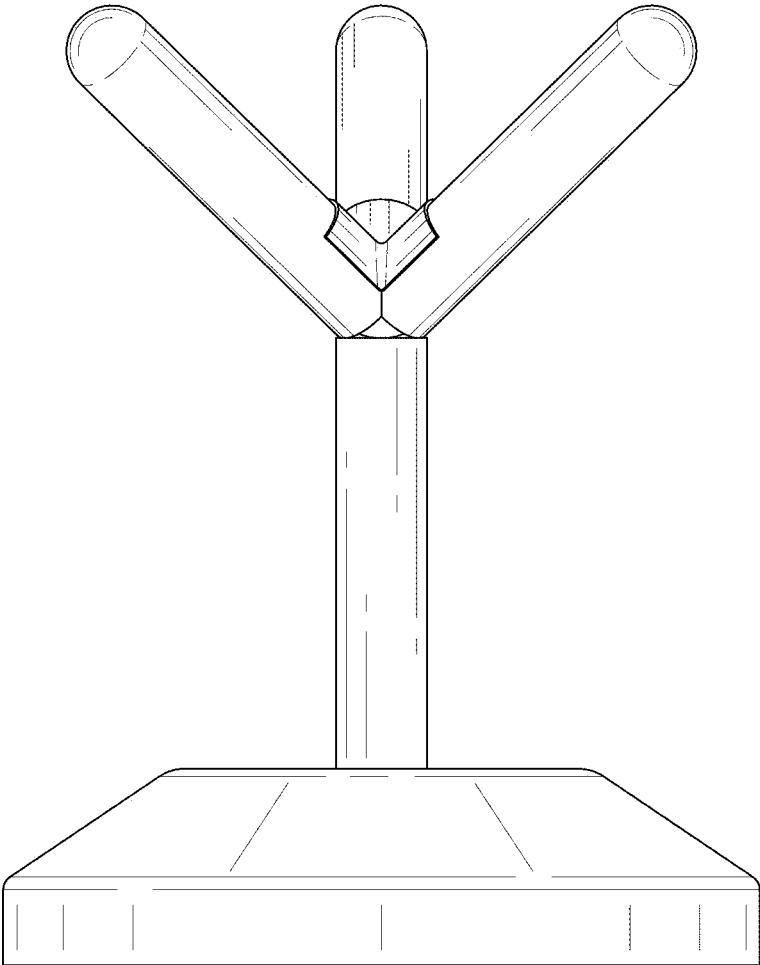


FIG. 2

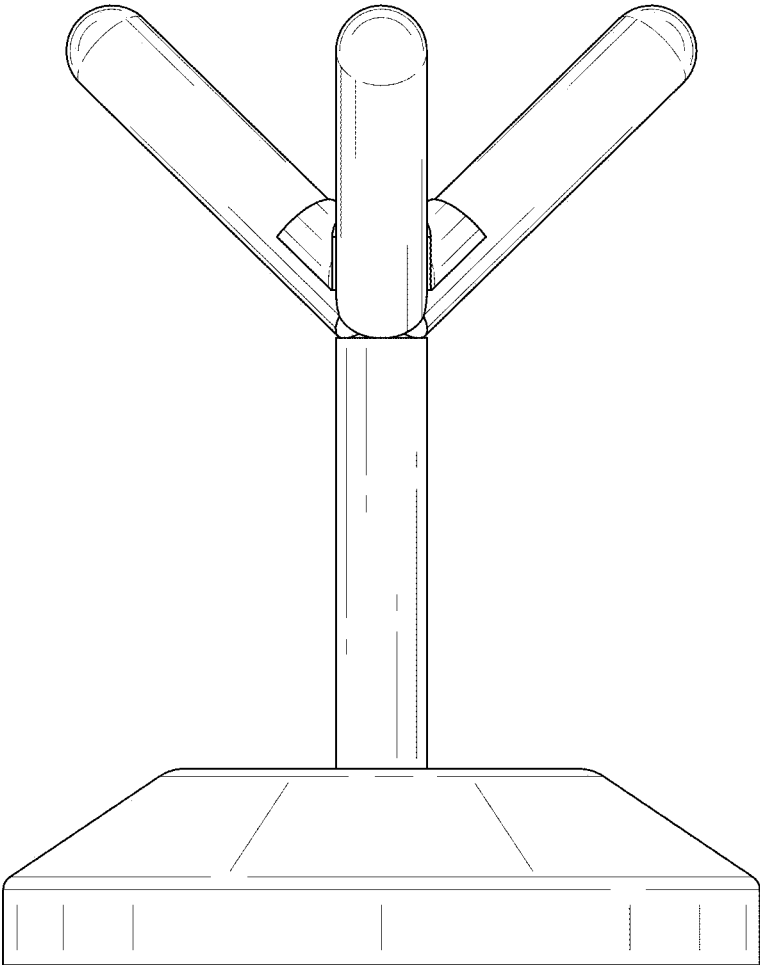


FIG. 3

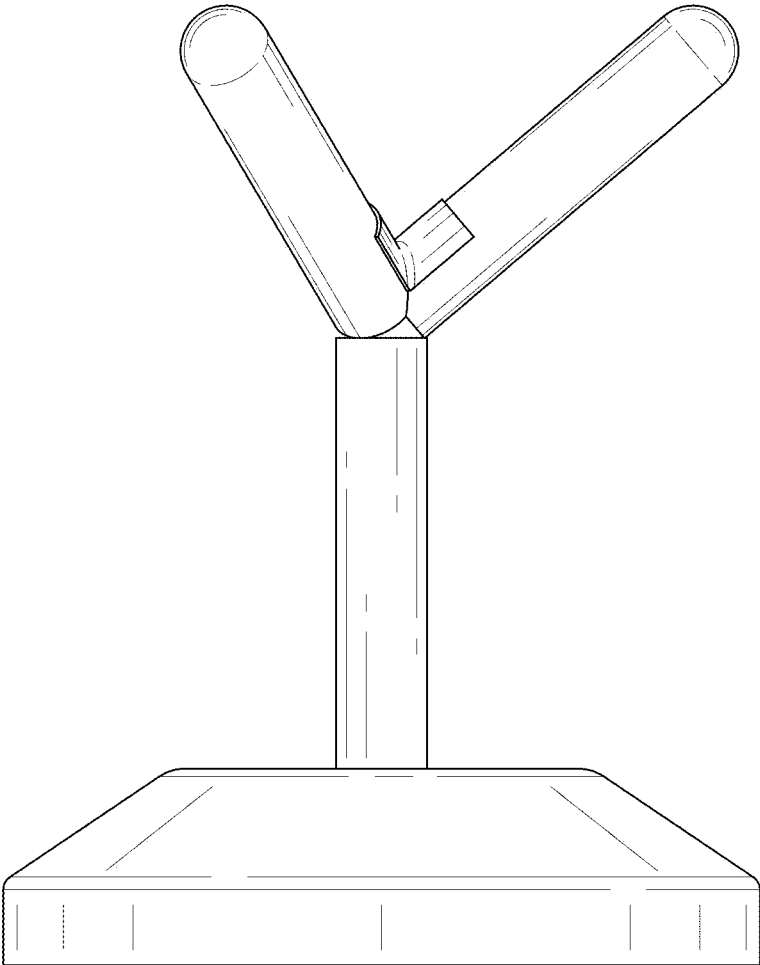


FIG. 4

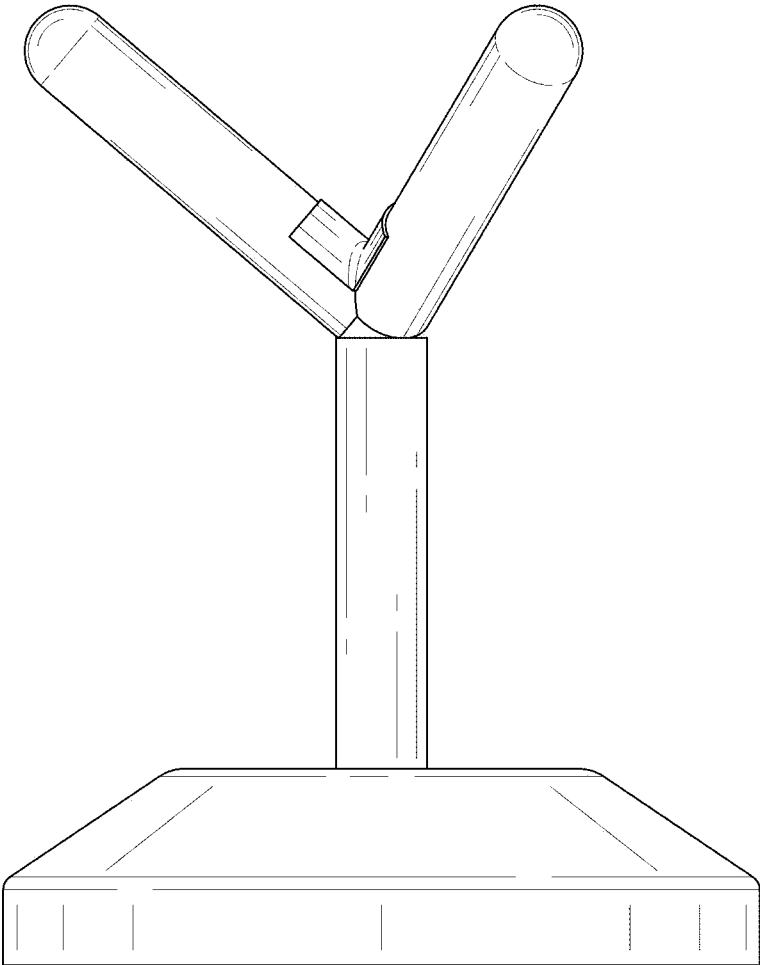


FIG. 5

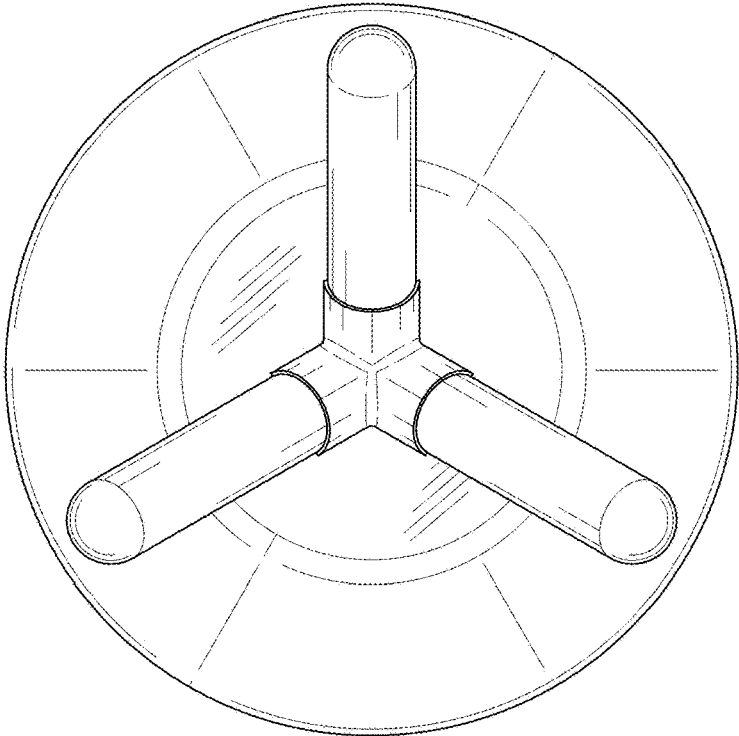


FIG. 6

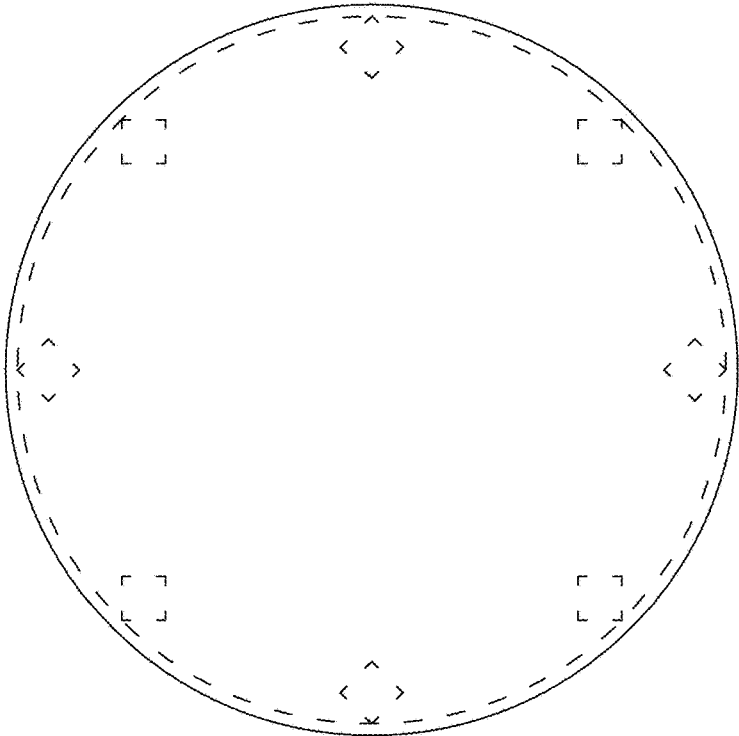


FIG. 7