



US0D1033098S

(12) **United States Design Patent**
Wolfe

(10) **Patent No.:** **US D1,033,098 S**

(45) **Date of Patent:** **** Jul. 2, 2024**

(54) **CHAIN AND BINDER LOCKING RACK**

(71) Applicant: **Paul Wolfe**, Bridgeport, TX (US)

(72) Inventor: **Paul Wolfe**, Bridgeport, TX (US)

(**) Term: **15 Years**

(21) Appl. No.: **29/844,371**

(22) Filed: **Jun. 28, 2022**

(51) **LOC (14) Cl.** **06-04**

(52) **U.S. Cl.**
USPC **D6/682.2**

(58) **Field of Classification Search**
USPC D6/681, 681.2, 681.3, 682, 682.1, 682.2,
D6/682.3, 682.4, 552, 672, 680.3, 681.1,
D6/682.6, 405

CPC A47F 7/24; A47F 5/04; A47F 5/02; A47F
7/02; A47F 5/13; A47F 5/10; A47F
5/0006; A47F 7/04; A47F 5/108; A47F
7/06; A47B 81/005; A47B 43/00; A47B
81/00; A47B 45/00; A47B 46/00

See application file for complete search history.

(56) **References Cited**

U.S. PATENT DOCUMENTS

D44,078 S *	5/1913	Treadway	D6/682.4
D49,246 S *	6/1916	Yarbough	D6/682.4
D162,207 S *	2/1951	Mettenleiter	211/64
D237,931 S *	12/1975	Brandenfels	D6/675.1
D292,457 S *	10/1987	Hunter	D6/682.2
D312,016 S *	11/1990	Montgomery	D6/552
D325,136 S *	4/1992	Lucht	D6/682.6
5,785,184 A *	7/1998	Metselaar	E05B 69/006 70/59
D434,587 S *	12/2000	Beard, Sr.	D6/552
D464,215 S *	10/2002	Patchen	D6/682.2
D499,672 S *	12/2004	Thompson	D12/115
D550,983 S *	9/2007	Van Es	D6/675.3
7,878,338 B2 *	2/2011	Maxson	E04G 5/004 211/41.15

D650,611 S *	12/2011	Melhart	D6/682.4
D941,605 S *	1/2022	Yang	D6/552
D955,145 S *	6/2022	Huang	D6/681
D966,018 S *	10/2022	Huang	D6/681.2
D986,624 S *	5/2023	Jia	D6/675.3
D999,003 S *	9/2023	Su	D6/682.4

(Continued)

FOREIGN PATENT DOCUMENTS

CA	114471	*	8/2006
CN	306937322	*	11/2021

OTHER PUBLICATIONS

Conquip Chain Storage Rack, Conquip Listing (Post Date Unknown), Retrieved from the Internet (Mar. 1, 2024), URL: <https://cqegroup.com/uk/product/site-equipment/chain-storage-rack/> (Year: 2024).*

(Continued)

Primary Examiner — Steven J Czyz

Assistant Examiner — Varun Salil Kamat

(74) *Attorney, Agent, or Firm* — Barry Choobin; Patent 360

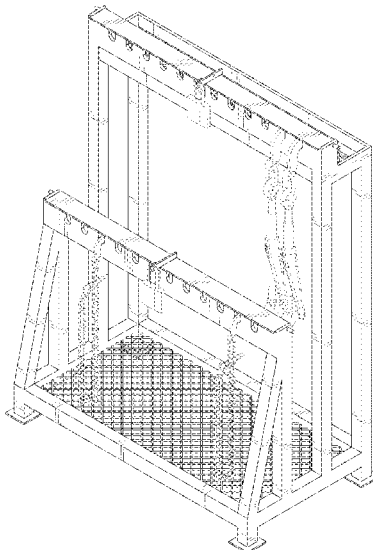
(57) **CLAIM**

The ornamental design for a chain and binder locking rack, as shown and described.

DESCRIPTION

FIG. 1 is a perspective view of a chain and binder locking rack, showing my new design; FIG. 2 is a front view thereof; FIG. 3 is a rear view thereof; FIG. 4 is a left side view thereof; FIG. 5 is a right side view thereof; FIG. 6 is a top view thereof; and, FIG. 7 is a bottom view thereof. The broken lines depict environment and portions of the article that form no part of the claimed design.

1 Claim, 7 Drawing Sheets



(56)

References Cited

U.S. PATENT DOCUMENTS

D999,556 S * 9/2023 Wang D6/681.2
D1,003,074 S * 10/2023 Mai D6/681.2
D1,010,370 S * 1/2024 Kivshar D6/682
D1,015,031 S * 2/2024 Wang D6/681.2

OTHER PUBLICATIONS

Bendtech Steel Chain Rack, Bendtech Listing (Post Date Unknown),
Retrieved from the Internet (Mar. 1, 2024), URL: <https://www.bendtechdefence.com.au/product/steel-chain-rack/> (Year: 2024).*

* cited by examiner

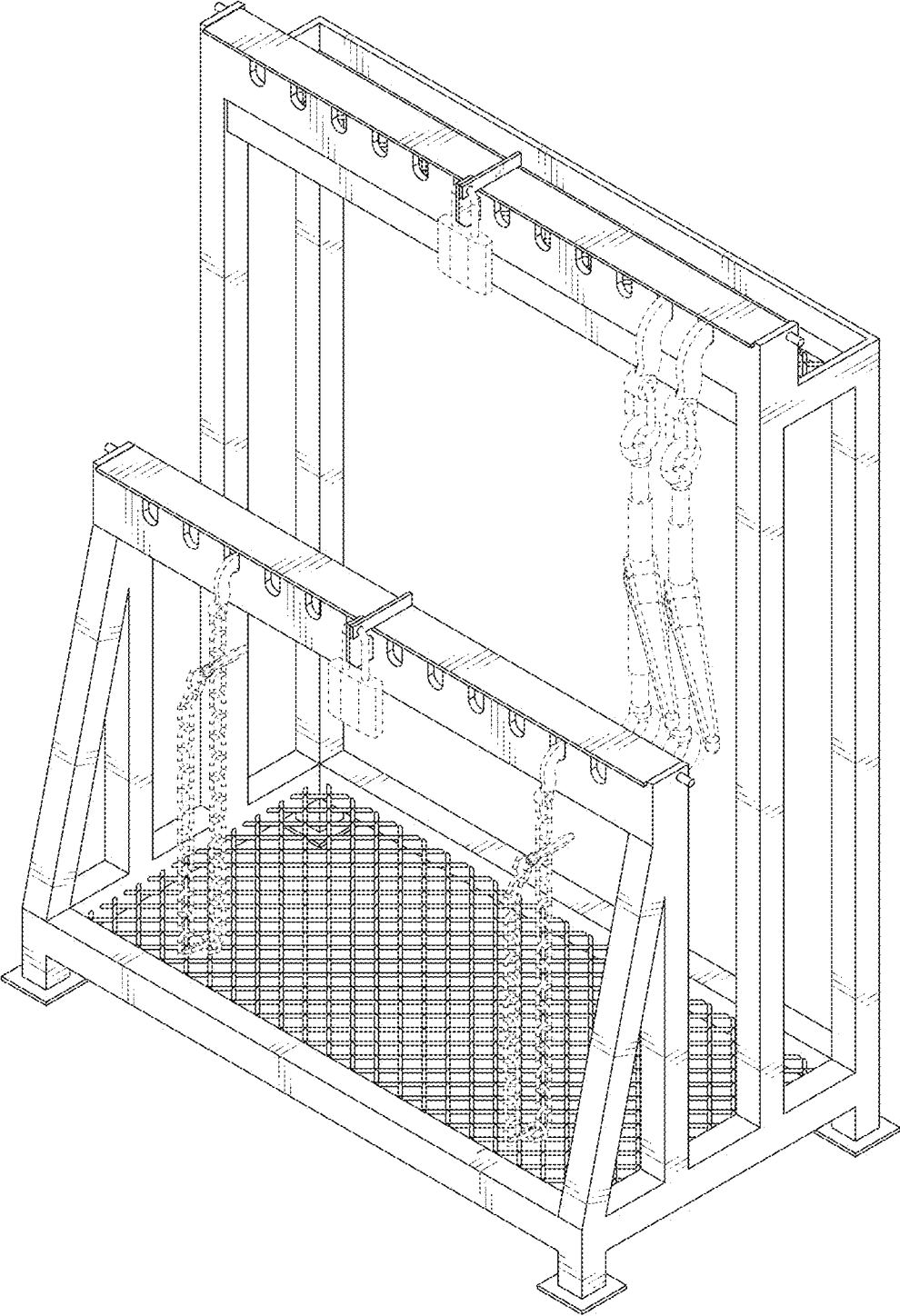


FIG.1

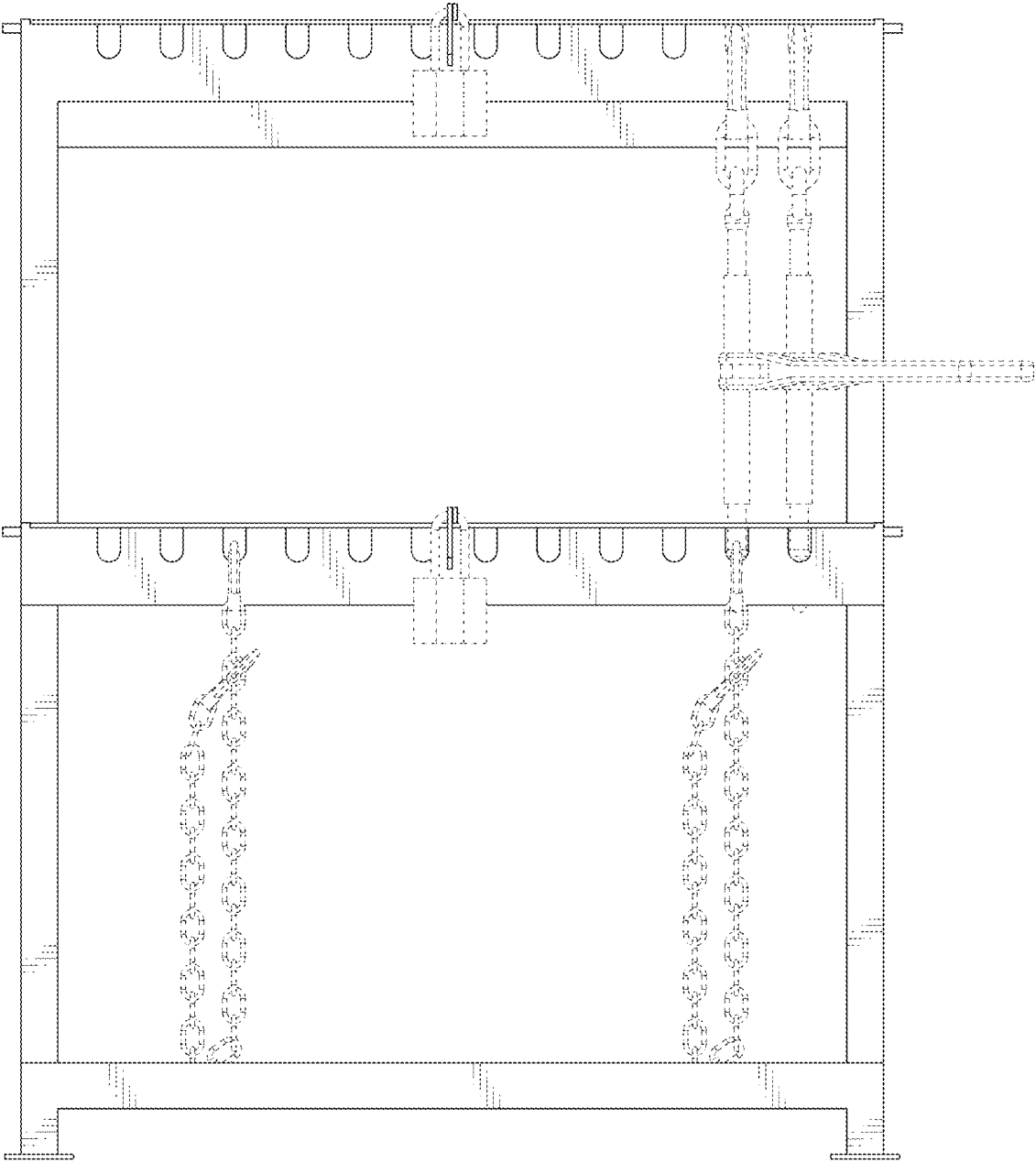


FIG.2

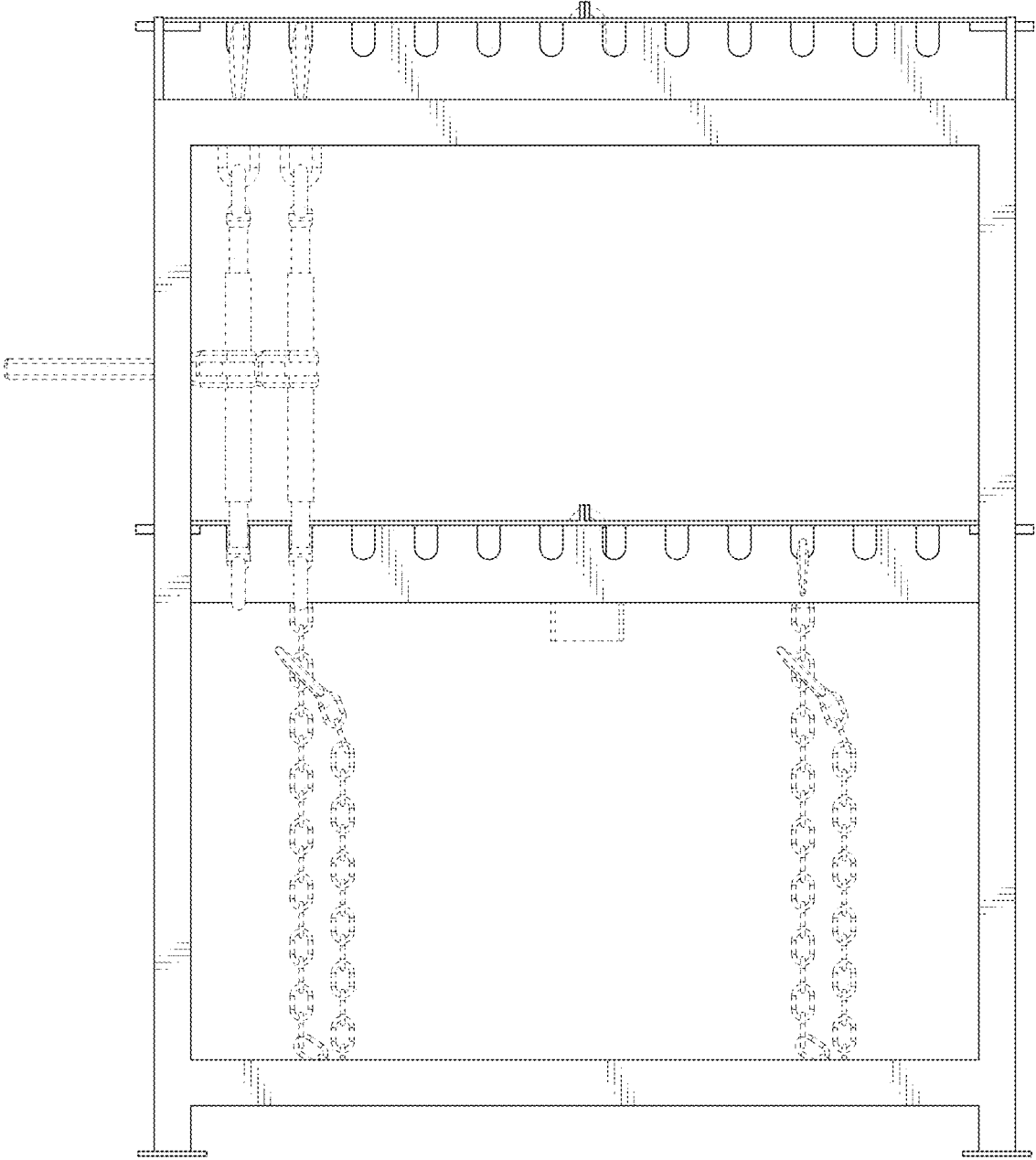


FIG.3

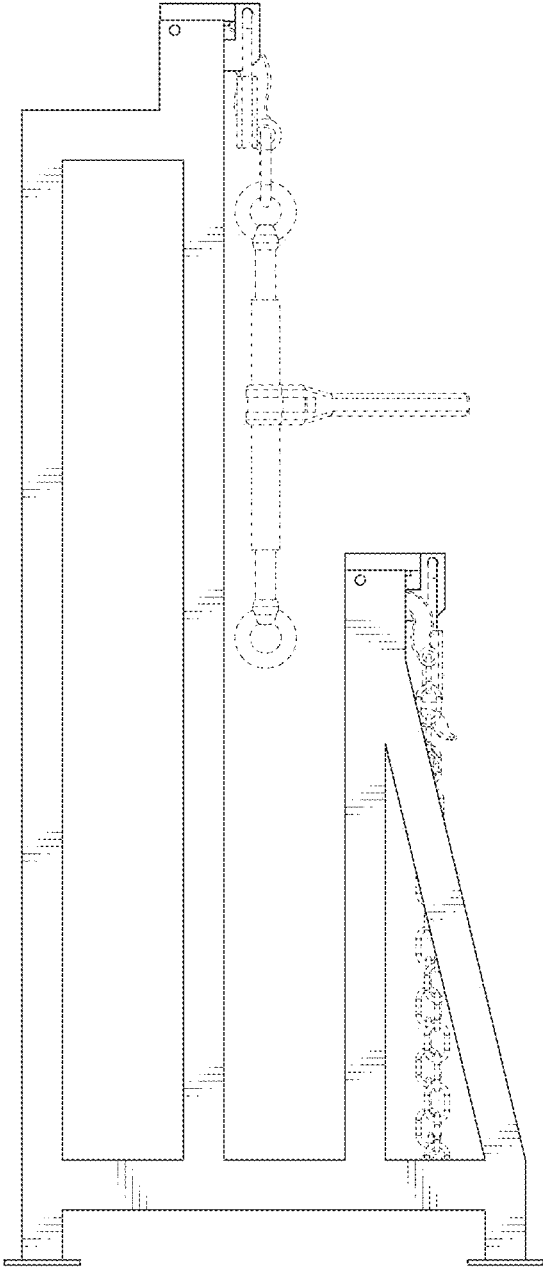


FIG.4

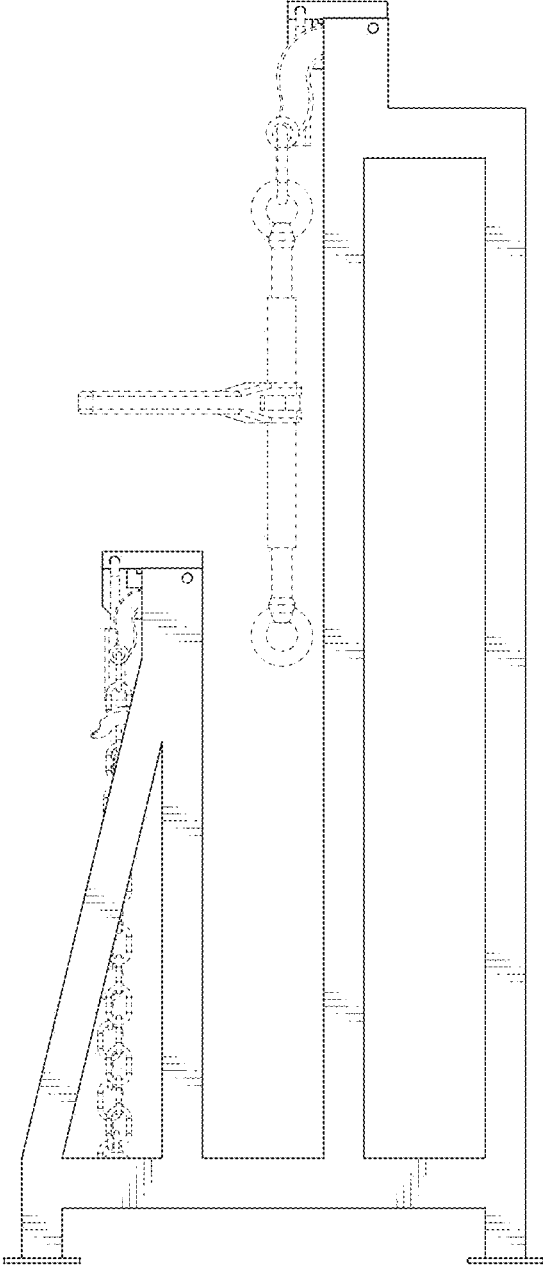


FIG.5

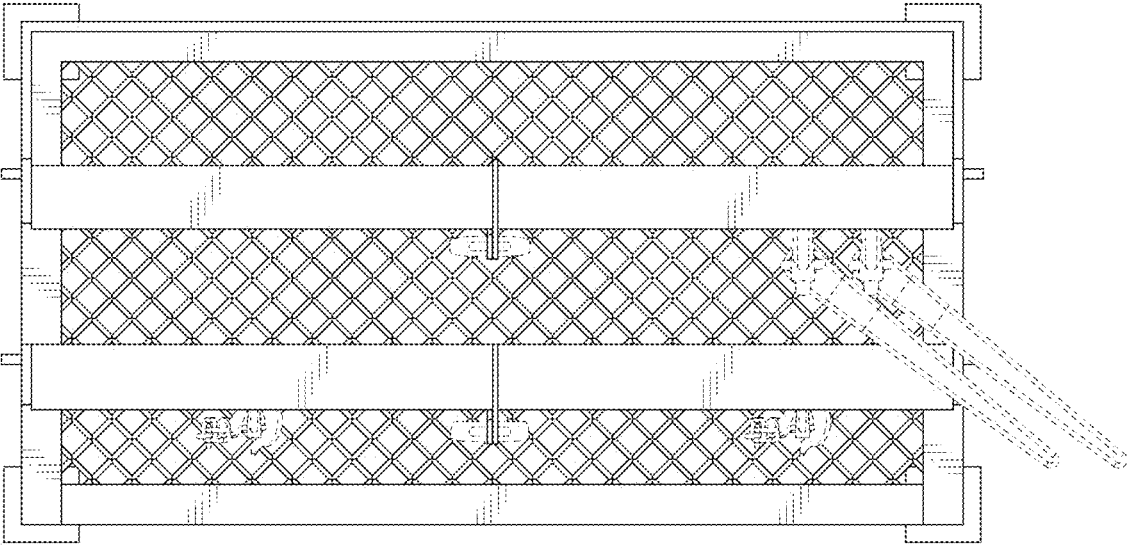


FIG.6

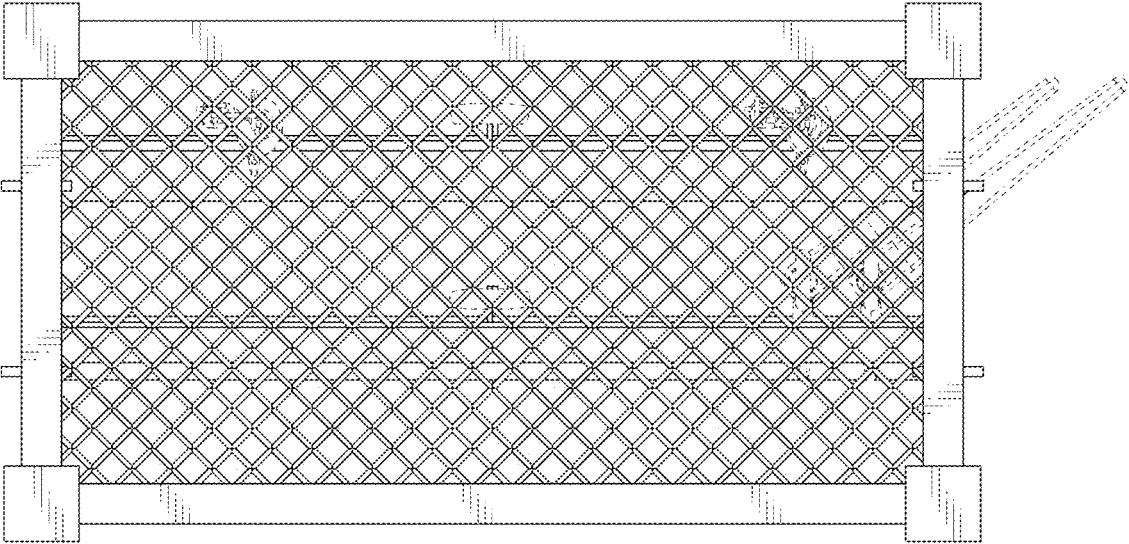


FIG. 7